

wilson
&bradley

SIGE STORAGE SOLUTIONS



OUR STORY



Founded in 1976, Wilson & Bradley is a family-owned business renowned for supplying premium kitchen and cabinetry hardware in Australia, coupled with exceptional customer service.

Over 40 years, the company has grown to become an industry leader, catering to a wide range of clients including large manufacturers and individual homeowners. In 2019, the business joined forces with Blum Austria, a globally recognised hardware brand with a strong international footprint, including facilities in the United States of America, Poland, and Brazil.

Wilson & Bradley's success is rooted in its family values, emphasising personalised service, reliability, and a deep understanding of customer needs. This ethos is evident in everything we do, from selecting diverse, high-quality products to

maintaining strong relationships with leading manufacturers, ensuring a steady supply of innovative items.

Wilson & Bradley stay ahead of market trends, continuously updating our products to remain relevant. Our robust distribution network across Australia reflects our dedication to fulfilling our promise of quality and service to every customer.



wilson
&bradley

CONTENTS



7. Materia



13. Pro Line



22. Infinity Plus



32. Valore



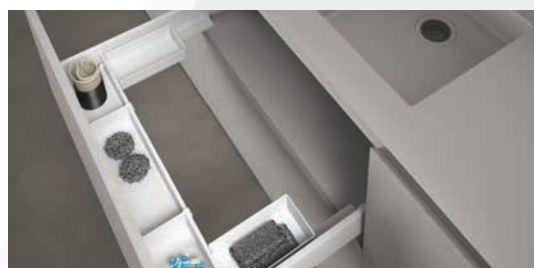
41. Kaos



53. Laundry



60. Waste Bins



64. Under Sink

SIGE STORAGE SOLUTIONS

In this brochure you will find the latest range of SIGE storage solutions available at Wilson & Bradley.

Available in a variety of styles and with five ranges to choose from, the SIGE selection of storage solutions are designed to provide years of reliable service throughout the kitchen, laundry, wardrobe and more.







SIGE



For over half a century, SIGE's fervour for innovation has remained undimmed. Established in 1969, SIGE has continuously been at the epicentre of a whirlwind of creativity, inspiring multiple generations.

Starting modestly with limited resources and abundant aspirations, SIGE have achieved steady growth, consistently pushing the boundaries. The company's commitment to quality, environmental stewardship, and the welfare of its partners is unwavering.

Nestled in the verdant landscapes of Italy's Marche region, the facility operates like a dynamic beehive of activity. Here, in this productive haven, SIGE embraces an ethos where everything is subject to innovation, permanence is an illusion, and the genesis of a new project is always on the horizon.

Distributed by Wilson & Bradley, SIGE storage solutions are easy to install and are designed to provide years of reliable service throughout the home.

Offering a range of product lines:

- SIGE Materia
- SIGE Pro Line
- SIGE Infinity Plus
- SIGE Valore
- SIGE Kaos
- SIGE Zone
- SIGE waste bins

Key features:

- Easy to install and assemble
- Perfect for maximising storage
- Designed to suit a variety of cabinet spaces
- Life-cycle tested to ensure ongoing dependable quality



Code: SMPD450

MATERIA



The SIGE Materia range combines superb functionality and technology with a beautiful minimalist design. With clean Orion Grey surrounds and Silver Grey bases, the Materia range offers a premium modern design as well as top of the range quality.

With a strong focus on ensuring the best quality, the SIGE Materia range integrates soft-close technology that adds ease and functionality when in use and is life cycle tested to ensure longevity and consistent premium performance.

The Materia range offers a variety of storage solutions including pull-out pantries, bottle racks, corner units and kidney shelves to complement modern kitchen spaces.

Key features:

- Available in orion grey finish with silver grey wooden bases.
- Designed to assist with the organisation of your kitchen.
- Full extension, soft-close runners.
- Available in both left-hand and right-hand applications.
- Suits a variety of cabinet spaces.

- Life-cycle tested to ensure ongoing dependable quality
- Great visibility and designed for minimal cleaning
- Full extension, soft-close runners
- Easy to install and assemble
- Can be retrofitted

Visit our website to find out more about the SIGE Materia range www.wilbrad.com.au or call us on **1800 633 507**.

PULL OUTS

SIDE MOUNT BOTTLE RACK (LEFT HAND MOUNTED)

- Perfect to organise non-perishables or for use as a bottle rack.
- For use with 150mm external cabinet width
- Soft-close full extension runners
- Mounts to door with supplied brackets
- Includes spacers
- Includes two orion grey baskets with silver grey base
- Weight capacity: 12kg



Technical Details

CODE	▶◻◀	WIDTH	DEPTH	HEIGHT
SMBRS150	150mm	110mm	500mm	520mm



BOTTOM MOUNT PULL OUT BASKET

- Available in two sizes
- Soft-close full extension runners
- Mounts to door with supplied brackets
- Includes two orion grey baskets with silver grey base
- Weight capacity: 30kg



Technical Details

CODE	▶◻◀	WIDTH	DEPTH	HEIGHT
SMBRB300	300mm	260-268mm	500mm	520mm
SMBRB450	450mm	410-418mm	500mm	520mm



PULL OUTS

PANTRY DRAWER

- Available in three sizes
- Soft-close, full extension runners
- Allows for customisation - Choose how many drawers you require
- Pull out drawer perfect for use in pantry
- Orion grey with silver grey base
- Weight Capacity: 30kg



Technical Details

CODE	▶◻◀	WIDTH	DEPTH	HEIGHT
SMPD450	450mm	450mm	500mm	100mm
SMPD600	600mm	560-568mm	500mm	100mm
SMPD900	900mm	860-868mm	500mm	100mm



PULL OUT ORGANISER

- To suit 300mm carcass
- Multi-purpose pull out basket in Orion Grey with Melamine base
- Features full extension SIGE soft close runners
- Easy to install
- Weight capacity: 30kg



Technical Details

CODE	▶◻◀	WIDTH	DEPTH	HEIGHT
SMPOA300	300mm	260mm	495mm	574mm



PANTRY UNITS

PULL OUT PANTRY

- Includes five baskets
- For use in pantry with pantry frame and runner kit
- Five sizes available
- Orion grey with silver grey base
- Weight capacity: 120kg



Technical Details

CODE	▶◻◀	WIDTH	DEPTH	HEIGHT
SMPB300	300mm	230mm	440mm	90mm
SMPB400	400mm	330mm	440mm	90mm
SMPB450	450mm	380mm	440mm	90mm
SMPB500	500mm	430mm	440mm	90mm
SMPB600	600mm	530mm	440mm	90mm



PANTRY RUNNER KIT

- Includes full extension slides and door brackets
- Full extension soft-close runners
- Orion grey finish

Technical Details

CODE	▶◻◀	WEIGHT CAPACITY
SWPRS300G	300mm	120kg
SWPRS400G	400mm	120kg
SWPRS450G	450mm	120kg
SWPRS500G	500mm	120kg
SWPRS600G	600mm	120kg



PANTRY FRAME

- Adjustable height
- Baskets and runner kit must be purchased separately
- Weight capacity: 120kg

Technical Details

CODE	DEPTH	HEIGHT	FINISH
SWPFRG	505mm	1880-2180mm	Orion Grey

PULL OUT PANTRY KITS

- Kit comes complete with five baskets, pantry frame and soft close runner and bracket set

CODE	▶◻◀	WEIGHT
SMP3	300mm	120kg
SMP4	400mm	120kg
SMP45	450mm	120kg
SMP5	500mm	120kg
SMP6	600mm	120kg

PANTRY UNITS

DOOR FOLLOW PANTRY UNITS

- For use with SIGE Materia Door Follow pantry
- Orion grey finish with silver grey base
- Includes five baskets
- Weight capacity: 80kg
- Minimum height: 1880mm



Technical Details

CODE	▶◻◀	WIDTH	DEPTH	HEIGHT
SMDFPB300	300mm	260mm	500mm	100mm
SMDFPB400	400mm	360mm	500mm	100mm
SMDFPB450	450mm	410mm	500mm	100mm
SMDFPB500	500mm	460mm	500mm	100mm
SMDFPB600	600mm	560mm	500mm	100mm



DOOR FOLLOW PANTRY FRAME AND BRACKET SET

- For use with SIGE Materia door follow pantry
- Baskets and runner kit must be purchased separately
- Weight capacity: 60kg



DOOR FOLLOW PANTRY SLIDES

- Durable components
- Simple to install
- Allows for easy access

Code: **SMDFPS**

Technical Details

CODE	▶◻◀
SMDFPF30	300mm
SMDFPF40	400mm
SMDFPF45	450mm
SMDFPF50	500mm
SMDFPF60	600mm

SIGE MATERIA DOOR FOLLOW PANTRY KITS

- Kit comes complete with five baskets, pantry frame and pantry slides

CODE	▶◻◀	WEIGHT
SMDFP3	300mm	60kg
SMDFP4	400mm	60kg
SMDFP45	500mm	60kg
SMDFP5	400mm	60kg
SMDFP6	500mm	60kg

CORNER UNITS

CORNER PULL OUT

- Includes two door mounted baskets and two internal baskets
- Available in left-hand and right-hand application
- Orion grey finish with silver grey base
- Soft-open and close action
- Weight capacity (Internal): 20kg
- Weight capacity (Door Mounted): 15kg

Technical Details

CODE	APPLICATION	▶◻◀	WIDTH	DEPTH	HEIGHT
SM4CP90L	Left Hand	900mm	860mm	505mm	600mm
SM4CP90R	Right Hand	900mm	860mm	505mm	600mm



KIDNEY SHELVES

- Designed to fit onto existing shelves
- Available in left-hand and right-hand application
- Includes two shelves
- Orion grey finish with silver grey base
- Weight capacity: 20kg per shelf

Technical Details

CODE	APPLICATION	▶◻◀	WIDTH	DEPTH
SMKS945L	Left Hand	900mm	450mm	500mm
SMKS945R	Right Hand	900mm	450mm	500mm



SIGE SOFT CLOSE KIT FOR KIDNEY SHELF

- Suits two shelves

Code: **SMKSSCK**





Code: SP4CP90R

PRO LINE



Wilson & Bradley are proud to introduce the SIGE Pro Line range to our range of quality wire ware solutions.

This new concept defines all kitchens clear lines in a more ergonomic way.

SIGE Pro Line incorporates painted metal surrounds, creating a good balance between minimalism and design.

Key features:

- Painted metal surrounds
- White finish
- To suit Blum MOVENTO runners
- Comes with white anti-slip matting
- Easy to assemble and secure in place
- Stable and rapid sliding motion
- Strong and sturdy construction
- Range includes pull outs, corner units and pantry units
- Designed to assist with the organisation of your kitchen.
- Available in both left-hand and right-hand applications.
- Designed to suit a variety of cabinet spaces.
- Life-cycle tested to ensure ongoing dependable quality.
- Can be retrofitted.

PULL OUTS

SIDE MOUNT SOFT CLOSE BOTTLE RACK 150MM & 200MM

- To suit Blum 500mm MOVENTO runners (sold separately)
- Left and right-hand mounting
- White painted metal finish with melamine base
- Comes with white anti-slip matting
- Easy to install
- Available in 2 sizes
- Perfect to organise non-perishables or for use as a bottle rack.
- Mounts to door with supplied brackets

Technical Details

CODE	▶◻◀	WIDTH	DEPTH	HEIGHT
SPBRS150	150mm	110-118mm	500mm	520mm
SPBRS200	200mm	160-168mm	500mm	520mm



SIDE MOUNT SOFT CLOSE BOTTLE RACK 300MM

- To suit 300mm carcase
- To suit Blum 500mm MOVENTO runners (sold separately)
- Left and right-hand mounting
- White painted metal finish with melamine base
- Easy to install
- Mounts to door with supplied brackets

Technical Details

CODE	▶◻◀	WIDTH	DEPTH	HEIGHT
SPBRB300	300mm	262-268mm	500mm	520mm



PULL OUT KITS



SIDE MOUNT SOFT CLOSE BOTTLE RACK 150MM & 200MM

Includes bottle rack and 40kg Blum MOVENTO runners.

Kit Details

CODE	▶◻◀	WIDTH	DEPTH	HEIGHT
SPBR150K	150mm	110-118mm	500mm	520mm
SPBR200K	200mm	160-168mm	500mm	520mm
SPBRB300K	300mm	262-268mm	500mm	520mm



PULL OUTS

SIDE MOUNT SOFT CLOSE TRIPLE BOTTLE RACK

- To suit 150mm carcass
- To suit Blum 500mm MOVENTO runners (Runners sold separately)
- Left and right-hand mounting
- White painted metal finish with melamine base
- Comes with white anti-slip matting
- Easy to install
- Perfect to organise non-perishables or for use as a bottle rack.
- Mounts to door with supplied brackets

Technical Details

CODE	▶◻◀	WIDTH	DEPTH	HEIGHT
SPTBRS150	150mm	110-118mm	500mm	850mm



TRIPLE BOTTLE RACK KIT

Includes SIGE Pro Line Triple Bottle Rack and 40kg Blum MOVENTO runners.

Technical Details

CODE	▶◻◀	WIDTH	DEPTH	HEIGHT
SPTBRS150K	150mm	110-118mm	500mm	850mm



CORNER UNITS

CORNER PULL-OUT

- To suit 900mm carcass.
- Available in left and right-hand application
- Includes 2 internal and 2 door mounted baskets
- Soft opening and soft closing action
- White painted metal finish
- Includes corner mechanism
- Easy to install
- Weight capacity (internal): 25kg
- Weight capacity (external): 25kg

Technical Details

CODE	▶◻◀	WIDTH	DEPTH	HEIGHT	MOUNT
SP4CP90R	900mm	860-868mm	505mm	600mm	Right Hand
SP4CP90L	900mm	860-868mm	505mm	600mm	Left Hand



KIDNEY SHELF

- To suit 900mm carcass.
- Available in left and right-hand application
- Includes 2 shelves
- White painted metal finish with melamine base
- Easy to install
- Weight capacity: 25kg per shelf
- Also available in kit form (SPKU900L & SPKU900R) which includes support pole and soft close

Technical Details

CODE	▶◻◀	WIDTH	DEPTH	HEIGHT	MOUNT
SPKS900R	900mm	450mm	490mm	160mm	Right Hand
SPKS900L	900mm	450mm	490mm	160mm	Left Hand



KIDNEY SHELF KITS



Includes SIGE Pro Line Kidney Unit, support pole and soft close kit.

Technical Details

CODE	▶◻◀	WIDTH	DEPTH	HEIGHT	MOUNT
SPKU900R	900mm	450mm	470mm	600mm	Right Hand
SPKU900L	900mm	450mm	470mm	600mm	Left Hand

SIGE KIDNEY UNIT SUPPORT POLE

- Colour: White and Aluminium
- Available in both left and right-hand application
- To be used in conjunction with SMKSSCK, SWKS900L, SWKS900R, SPKU900L and SPKU900R

Technical Details

CODE	MOUNT
SPKUSPL	Left Hand
SPKUSPR	Right Hand



SIGE SOFT CLOSE KIT FOR KIDNEY SHELF

- Suits two shelves

Code: **SMKSSCK**





CORNER UNITS

3/4 CAROUSEL SHELF

- To suit 900mm carcass
- Rotating system with bottom fixed plate
- Includes two carousel shelves
- Designed to suit corner cabinets
- White painted metal finish with melamine base
- Easy to install



Technical Details

CODE	WIDTH	DEPTH	HEIGHT	WEIGHT CAPACITY
SPCARS900	850mm	500mm	110mm	40kg

PANTRY UNITS

COMPONENTS FOR PULL OUT PANTRY

- Available in four sizes: 300mm, 400mm, 500mm and 600mm
- Code includes five baskets
- White painted metal finish



Technical Details

CODE	▶◻◀	WIDTH	DEPTH	HEIGHT
SPPB300	300mm	230mm	475mm	75mm
SPPB400	400mm	330mm	475mm	75mm
SPPB500	500mm	430mm	475mm	75mm
SPPB600	600mm	530mm	475mm	75mm



PANTRY FRAME

- Adjustable height
- Baskets and runner kit must be purchased separately
- Colour: White
- Available in two sizes: Medium and Large

Technical Details

CODE	SIZE	DEPTH	WEIGHT CAPACITY
SWPFRMW	Medium	505mm	1615 - 1915mm
SWPFRW	Large	505mm	1880 - 2180mm

PANTRY RUNNER KIT



- Includes full extension slides and door brackets
- Full extension soft close runners
- Colour: White
- Available in four sizes: 300mm, 400mm, 500mm and 600mm

Technical Details

CODE	▶◻◀	WEIGHT CAPACITY
SWPRS300W	300mm	120kg
SWPRS400W	400mm	120kg
SWPRS500W	500mm	120kg
SWPRS600W	600mm	120kg

PANTRY UNITS

PULL OUT PANTRY KITS

Kits come complete with five baskets, pantry frame and soft close runner set

Large Pantry Frame Kits

CODE	▶◻◀	WIDTH	DEPTH	HEIGHT
SPPP3C1	300mm	250mm	505mm	1880 - 2180mm
SPPP4C1	400mm	350mm	505mm	1880 - 2180mm
SPPP5C1	500mm	450mm	505mm	1880 - 2180mm
SPPP6C1	600mm	550mm	505mm	1880 - 2180mm

Medium Pantry Frame Kits

CODE	▶◻◀	WIDTH	DEPTH	HEIGHT
SPPP3C2	300mm	250mm	505mm	1615 - 1915mm
SPPP4C2	400mm	350mm	505mm	1615 - 1915mm
SPPP5C2	500mm	450mm	505mm	1615 - 1915mm
SPPP6C2	600mm	550mm	505mm	1615 - 1915mm



PULL OUT PANTRY UNIT

- To suit 200mm carcass
- Full Extension SIGE Slides with Soft Close
- Complete with 5 baskets and door brackets
- White Painted Metal Finish with Melamine Base
- Comes with White Anti Slip Matting
- Easy to install
- Weight Capacity: 50kg

Technical Details

CODE	▶◻◀	WIDTH	DEPTH	HEIGHT
SPPP200	200mm	150mm	505mm	1880 - 2180mm





Code: SW4CP900R

INFINITY PLUS



Boasting a unique modern design, the SIGE Infinity Plus range aims to enhance and redefine the kitchen which surrounds it.

Achieving functionality on a number of levels, each product is easy to install and operate, making time spent in the kitchen a more efficient and pleasant experience.

SIGE uses only high-quality materials, such as the flat wire and its chromed finishes and teams this with clean solid bases to create a distinct finish.

Offering a variety of storage solutions including pull out pantries, bottle racks, corner units and kidney shelves, SIGE storage solutions complement the kitchen space.

Key features:

- Designed to take advantage and makes full use of every available space the kitchen has to offer.
- Designed to assist with the organisation of your kitchen.
- Available in both left-hand and right-hand applications.
- Designed to suit a variety of cabinet spaces.

- Life-cycle tested to ensure ongoing dependable quality.
- Modern and unique design to enhance and enrich any kitchen's décor.
- Easy to install and assemble.
- High quality chrome surrounds with solid bases on baskets.

Visit our website to find out more about the SIGE Infinity Plus range www.wilbrad.com.au or call us on **1800 633 507**.

PULL OUTS

SIDE MOUNT SOFT CLOSE BOTTLE RACK (LEFT HAND MOUNTED)

- Perfect to organise non-perishables or for use as a bottle rack.
- For use with 150mm external cabinet width.
- Soft-close full extension runners.
- Mounts to door with supplied brackets.
- Includes two chrome baskets with solid bases.
- Includes full extension runners and spacers.
- Chrome finish
- Weight capacity: 12kg

Technical Details

CODE	▶◻◀	WIDTH	DEPTH	HEIGHT
SWBRS150	150mm	110mm	500mm	520mm



SIDE MOUNT SOFT CLOSE TOWEL RAIL (LEFT HAND MOUNTED)

- Includes towel rail and basket
- Soft-close runners
- Smooth opening action
- Chrome finish
- Weight capacity: 8kg

Technical Details

CODE	▶◻◀	WIDTH	DEPTH	HEIGHT
SWTRS150	150mm	110mm	500mm	620mm



BOTTOM MOUNT SOFT CLOSE BOTTLE RACK

- Available in two sizes
- Soft-close full extension runners
- Mounts to door with supplied brackets
- Includes two chrome baskets with solid bases
- Chrome finish
- Weight capacity: 30kg

Technical Details

CODE	▶◻◀	WIDTH	DEPTH	HEIGHT
SWBRB300	300mm	260-268mm	500mm	520mm
SWBRB450	450mm	410-418mm	500mm	520mm



PANTRY UNITS

PANTRY DRAWERS

- Available in two sizes
- Allows for customisation - Choose how many drawers you require
- Pull out drawer perfect for use in pantry
- Soft-close, full extension runners
- Chrome basket with solid base
- Weight capacity: 30kg



Technical Details

CODE	▶◻◀	WIDTH	DEPTH	HEIGHT
SWPD450	450mm	450mm	500mm	90mm
SWPD600	600mm	560 - 568mm	500mm	90mm



PANTRY UNITS

PULL OUT PANTRY

- Includes five baskets
- For use with Pantry frame and runner kit
- Four sizes available
- Chrome finish

CODE	▶◻◀	WIDTH	DEPTH	HEIGHT
SWPB300	300mm	230mm	440mm	120mm
SMPB400	400mm	330mm	440mm	120mm
SMPB500	500mm	430mm	440mm	120mm
SMPB600	600mm	530mm	440mm	120mm



PANTRY FRAME

- Adjustable height
- Baskets and runner kit must be purchased separately
- Weight capacity: 120kg
- Chrome finish

CODE	DEPTH	HEIGHT
SWPFR	505mm	1880-2180mm
SWPFRM	505mm	1615-1915mm

PANTRY RUNNER KIT

- Includes full extension slides and door brackets
- Full extension soft-close runners
- Chrome finish

CODE	▶◻◀	WEIGHT CAPACITY
SWPRS300	300mm	120kg
SWPRS400	400mm	120kg
SWPRS500	500mm	120kg
SWPRS600	600mm	120kg

PULL OUT PANTRY KITS

- Kits include five baskets, pantry frame and soft close runner and bracket set
- Weight capacity: 120kg

Large Pantry Frame Kits

CODE	▶◻◀	WIDTH	DEPTH	HEIGHT
SPP3	300mm	250mm	505mm	1880-2180mm
SPP4	400mm	350mm	505mm	1880-2180mm
SPP5	500mm	450mm	505mm	1880-2180mm
SPP6	600mm	550mm	505mm	1880-2180mm

Medium Pantry Frame Kits

CODE	▶◻◀	WIDTH	DEPTH	HEIGHT
SPP3M	300mm	250mm	505mm	1615-1915mm
SPP4M	400mm	350mm	505mm	1615-1915mm
SPP5M	500mm	450mm	505mm	1615-1915mm
SPP6M	600mm	550mm	505mm	1615-1915mm

PANTRY UNITS

DOOR FOLLOW PANTRY

- Pantry unit follows door as it is opened
- System comes complete with six baskets, runners and brackets
- Features soft-close full extension runners
- Includes six chrome baskets with solid base
- Weight capacity: 60kg



Technical Details

CODE	▶◻◀	WIDTH	DEPTH	HEIGHT
SWPDF600	600mm	560mm	500mm	1950 - 2166mm



PULL OUT PANTRY UNIT

- System comes complete with five baskets, runners and brackets.
- Features soft-close full extension runners.
- Mounts to the door with supplied brackets.
- Includes five chrome baskets with solid base.
- Weight capacity: 80kg



Technical Details

CODE	▶◻◀	WIDTH	DEPTH	HEIGHT
SWPP200	200mm	150mm	505mm	1880 - 2180mm



PANTRY UNITS

TWIN PANTRY

- Swing out tandem unit
- Available in two sizes
- Includes six door mount and six internal baskets
- Features soft-close runners
- Smooth opening action
- Chrome finish
- Weight capacity: 80kg



Technical Details

CODE	▶◻◀	WIDTH	DEPTH	HEIGHT
SWTPOD450	450mm	410mm	470mm	1800mm
SWTPOD600	600mm	560mm	470mm	1800mm



SMALL TWIN PANTRY

- Suitable for short pantry applications
- Includes four door mount and four internal baskets
- Features soft-close runners
- Smooth opening action
- Chrome baskets with solid base
- Weight capacity: 50kg



Technical Details

CODE	▶◻◀	WIDTH	DEPTH	HEIGHT
SWSTPO450	450mm	410mm	470mm	1215mm
SWSTPO500	500mm	460mm	470mm	1215mm
SWSTPO600	600mm	560mm	470mm	1215mm





PANTRY UNITS

ROTATING PANTRY

- Unit rotates as door opens
- System comes complete with five baskets, runners and brackets.
- Mounts to door front with brackets provided
- Features soft-close full extension runners
- Smooth opening action
- Chrome finish
- Weight capacity: 120kg

Technical Details

CODE	▶◻◀	WIDTH	DEPTH	HEIGHT
SWRP400	400mm	300mm	505mm	1950 - 2166mm



CORNER UNITS

3/4 CAROUSEL SHELF

- Includes shelf only
- Chrome shelf with solid base
- Can be retrofitted to existing shelves
- Sold as a single carousel shelf
- Weight capacity: 30kg per shelf



Technical Details

CODE	▶◻◀	WIDTH	DEPTH	HEIGHT
SWCARS800	800mm	700mm	700mm	110mm
SWCARS900	900mm	800mm	800mm	110mm



KIDNEY SHELVES

- Designed to be fit onto existing shelves
- Available in left-hand and right-hand application
- Includes two shelves
- Chrome finish. White melamine base with chrome surround.
- Weight Capacity: 20kg per shelf.



Technical Details

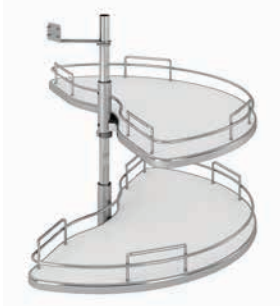
CODE	APPLICATION	▶◻◀	WIDTH	DEPTH	HEIGHT
SWKS900L	Left Hand	900mm	414mm	500mm	650 - 750mm
SWKS900R	Right Hand	900mm	414mm	500mm	650 - 750mm



CORNER UNITS

HALF MOON CORNER UNIT

- Consists of two rotating shelves
- Chrome finish: White melamine base with chrome surround
- Weight capacity: 20kg



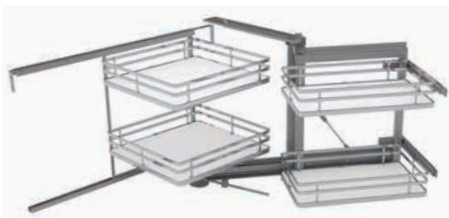
Technical Details

CODE	▶◻◀	WIDTH	DEPTH	HEIGHT
SWHMCU	800mm	760mm	390mm	510mm



CORNER PULL OUT

- Includes two door mounted baskets and two internal baskets
- Available in left-hand and right-hand application
- Soft-open and close action
- Chrome finish: White melamine base with chrome surround.
- Weight capacity (Internal): 20kg
- Weight capacity (Door Mounted): 15kg



Technical Details

CODE	APPLICATION	▶◻◀	WIDTH	DEPTH	HEIGHT
SW4CP900L	Left Hand	900mm	860mm	505mm	600 - 850mm
SW4CP900R	Right Hand	900mm	860mm	505mm	600 - 850mm



CORNER UNITS

SIGE KIDNEY UNIT SUPPORT POLE

- Colour: White and Aluminium
- Available in both left and right-hand application
- To be used in conjunction with SMKSSCK, SWKS900L, SWKS900R, SPKU900L and SPKU900R.

Technical Details

CODE	MOUNT
SPKUSPL	Left Hand
SPKUSPR	Right Hand



SIGE SOFT CLOSE KIT FOR KIDNEY SHELF

- Suits two shelves

Code: **SMKSSCK**





Code: SVPOB450

VALORE



The SIGE Valore range features a new elegant contemporary look and includes a variety of storage solutions including pull-outs, corner units and pantries designed to make the most of available heights and spaces.

Key features:

- Chrome finish
- Easy to assemble and secure in place
- Stable and rapid sliding motion
- Strong and sturdy construction

Why SIGE?

- Made in Italy
- Easy to install
- Life-cycle tested to ensure ongoing and dependable quality

View the entire SIGE Valore range and find out more on our website: www.wilbrad.com.au or call **1800 633 507**.

PULL OUTS

JOLLY BASKET (150MM & 200MM)

- Available for use in 150mm and 200mm external cabinet width
- Features full extension SIGE slides with soft close runners
- Easy to install
- Chrome finish
- Includes two baskets
- Weight capacity: 10kg

Technical Details

CODE	▶◻◀	WIDTH	DEPTH	HEIGHT	MOUNT
SVBSL150	150mm	110mm	450mm	520mm	Left hand
SVBSL200	200mm	160mm	500mm	520mm	Left hand



JOLLY BASKET (300MM)

- Available for use in 300mm external cabinet width
- Features full extension SIGE slides with soft close runners
- Easy to install
- Chrome finish
- Includes two baskets
- Weight capacity: 30kg

Technical Details

CODE	▶◻◀	WIDTH	DEPTH	HEIGHT	MOUNT
SVBSL300	300mm	260mm	500mm	520mm	Bottom Fixed





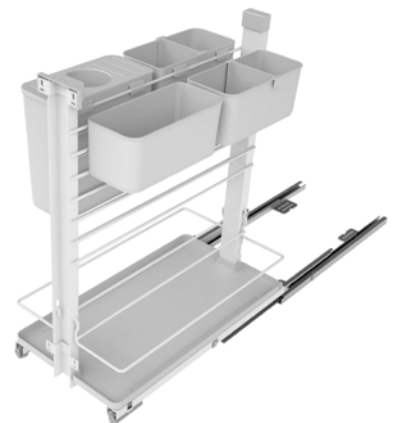
PULL OUT ORGANISER

SIGE VALORE PULL OUT ORGANISER

- To suit 300mm carcass
- Multi-purpose pull out basket in white with metal surrounds
- Features full extension SIGE soft close runners
- Easy to install
- Weight capacity: 30kg

Technical Details

CODE	▶◻◀	WIDTH	DEPTH	HEIGHT
SVPOA300	300mm	260mm	495mm	574mm





UNDER SINK BASKETS

REVERSIBLE BASKET

- For use in 300mm and 450mm external cabinet width
- Features full extension SIGE slides with soft close runners
- Complete with plastic base tray & bottle separators
- Easy to install
- Chrome finish
- Weight capacity: 30kg

Technical Details

CODE	▶◻◀	WIDTH	DEPTH	HEIGHT	MOUNT
SVRBS300	300mm	230mm	500mm	440mm	Bottom Fixed
SVRBS450	450mm	380mm	500mm	440mm	Bottom Fixed



CORNER UNITS

HALF MOON BASKET

- To suit 900mm cabinet
- Includes two shelves
- Door or manual opening
- Ideal for corner base unit
- Easy to install
- Chrome finish
- Weight capacity: 15kg

Components: Two half moon baskets, fixing bracket & connection bracket

Technical Details

CODE	▶◻◀	WIDTH	DEPTH	HEIGHT
SVHMB900	900mm	760mm	390mm	100mm



CORNER PULL-OUT BASKET

- To suit 900mm cabinet
- Includes four baskets: two door mounted and two internal baskets
- Available in left and right-hand application
- Weight capacity: 35kg

Components: Four baskets, basket frames, brackets, covers, joint, post connection, linking arm, hooks, mounts & bushes

Technical Details

CODE	APPLICATION	▶◻◀	WIDTH	DEPTH	HEIGHT
SVPC4900L	Left hand	900mm	860 - 1000mm	470 - 505mm	600mm
SVPC4900R	Right hand	900mm	860 - 1000mm	470 - 505mm	600mm





SIGE VALORE $\frac{3}{4}$ CAROUSEL SHELF

- To suit 900mm carcass
- Rotating corner carousel system with 2 shelves
- Chrome finish
- Easy to install
- Weight capacity: 30kg



Technical Details

CODE	▶◻◀	DEPTH	HEIGHT
SVRCB90	900mm	800mm	700mm - 750mm



PANTRY UNITS

PULL-OUT PANTRY

- To suit 200mm cabinet
- System comes complete with five pull-out baskets, runners and brackets
- Features full extension SIGE slides with soft close technology
- Mounts to door with supplied brackets
- Chrome finish
- Weight capacity: 80kg

Components: Five baskets, top and bottom runners and brackets

Technical Details

CODE	▶◻◀	WIDTH	DEPTH	HEIGHT
SVPOT200	200mm	150mm	500mm	1880 - 2180mm



Code: SVPOT200

PANTRY UNITS

PANTRY DRAWER

- Available for use with 450mm or 600mm external cabinet width
- Features full extension SIGE slides with soft close runners
- Easy to install
- Chrome finish
- Weight capacity: 30kg

Components: Basket, soft close runners, cover kit, spacers & cap

Technical Details

CODE	▶◻◀	WIDTH	DEPTH	HEIGHT
SVPOB450	450mm	410mm	500mm	180mm
SVPOB600	600mm	560mm	500mm	180mm



PULL-OUT PANTRY KITS

Components: Five baskets, soft close runners, brackets & frame

Large Pantry Frame Kits

CODE	▶◻◀	WIDTH	DEPTH	HEIGHT
SVPP3C	300mm	230mm	505mm	1880 - 2180mm
SVPP4C	400mm	230mm	505mm	1880 - 2180mm
SVPP5C	500mm	230mm	505mm	1880 - 2180mm
SVPP6C	600mm	230mm	505mm	1880 - 2180mm

Medium Pantry Frame Kits

CODE	▶◻◀	WIDTH	DEPTH	HEIGHT
SVPP3M	300mm	250mm	505mm	1615 - 1915mm
SVPP4M	300mm	250mm	505mm	1615 - 1915mm
SVPP5M	300mm	250mm	505mm	1615 - 1915mm
SVPP6M	300mm	250mm	505mm	1615 - 1915mm



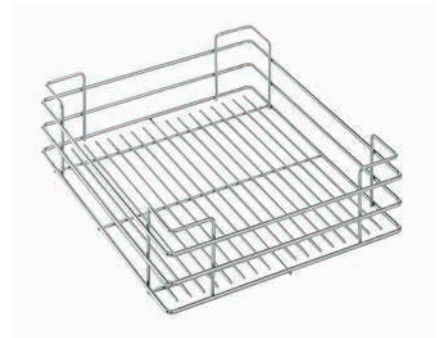
COMPONENTS FOR PULL-OUT PANTRY

PULL-OUT BASKETS

- Includes five wire bottom baskets
- For use with pantry frame, runner and bracket set
- Available in four sizes: 300mm, 400mm, 500mm and 600mm
- Chrome finish

Technical Details

CODE	▶◻◀	WIDTH	DEPTH	HEIGHT
SVB5300	300mm	230mm	440mm	120mm
SVB5400	400mm	330mm	440mm	120mm
SVB5500	500mm	430mm	440mm	120mm
SVB5600	600mm	530mm	440mm	120mm



PANTRY RUNNER KIT

- Includes full extension slides and door brackets
- Full extension soft close runners
- Chrome finish

Technical Details

CODE	▶◻◀	WEIGHT CAPACITY
SWPRS300	300mm	120kg
SWPRS400	400mm	120kg
SWPRS500	500mm	120kg
SWPRS600	600mm	120kg

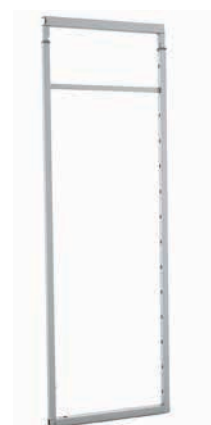


PANTRY FRAME

- Adjustable height
- Baskets and runner kit must be purchased separately
- Weight capacity: 120kg
- Chrome finish

Technical Details

CODE	FINISH	DEPTH	HEIGHT
SWPFR	Chrome	505mm	1880mm - 2180mm
SWPFRM	Chrome	505mm	1615mm - 1915mm





KAOS

For the first time in over 50 years, SIGE develops a product for the wardrobe. The result is Kaos, an explosion of creativity that offers endless solutions for organising your wardrobe.

Kaos is an elegant, tidy and easily adaptable design concept, which includes a range of high-quality products made of anthracite painted steel.

Customisable with a range of accessories including: pull-out frames and storage units in two sizes, hook-on elements, shoe, laundry and trouser racks, and pull-out shelves that turn into smart workstations capable of using all available space.

Kaos is the result of years of research in the field of ergonomics applied to design,



the meeting point between style and versatility. Shapes that give harmony and new spaces in the bedroom. The perfect wardrobe is born from Kaos.

View the entire SIGE Kaos range and find out more on our website: www.wilbrad.com.au or call **1800 633 507**.

HOW THE KAOS SYSTEM WORKS

The SIGE Kaos Wardrobe system is centred around the Alpha frame, available in two heights and a range of widths to suit any space. From there, add on accessories to suit the frame and build your ideal wardrobe.

The Alpha frame has been specifically built to suit Blum 450mm MOVENTO runners for easy assembly and long lasting functionality.

STEP 1:

Select the Alpha frame:

Available in two heights (58mm or 128mm) and widths ranging from 450mm to 1200mm

STEP 2:

Select the accessories to suit the frame:

Kaos offers a range of accessories including Shelves, Trays, Shoe Racks, Trousers Racks and Laundry Baskets. Alternatively, the flexibility of the Kaos system allows for you to customise and personalise your inserts based on individual needs

STEP 3:

Select your 450mm Blum MOVENTO runners



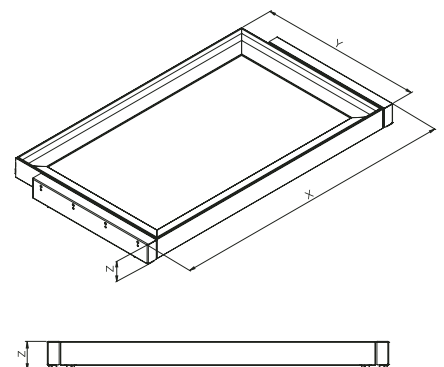


PULL-OUT ALPHA FRAME

The SIGE Kaos Wardrobe system is centered around the Alpha frame, available in two heights and a range of widths to suit any space. From there, add on accessories to suit the frame and build your ideal wardrobe. The Alpha frame has been specifically built to suit Blum 450mm MOVENTO runners for easy assembly and long lasting functionality.

- The frame is universal with all components in the Kaos range
- Suitable for wall cabinets, with sliding or hinged doors
- Includes adjustable spacers for increased flexibility
- Available in two heights (58mm & 128mm)
- Powder-coated metal in anthracite finish

CODE	TO SUIT	X	Y	Z
SKFRA450 (S/L)	450	400-418	520	72/140
SKFRA500 (S/L)	500	450-468	520	72/140
SKFRA600 (S/L)	600	550-568	520	72/140
SKFRA800 (S/L)	800	750-768	520	72/140
SKFRA900 (S/L)	900	850-868	520	72/140
SKFRA10 (S/L)	1000	950-968	520	72/140
SKFRA12 (S/L)	1200	1150-1168	520	72/140





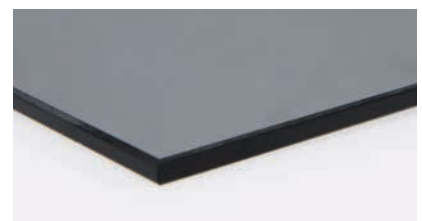
GLASS SHELF

The Kaos glass shelf for Alpha frame. Inserts straight into the frame. Smokey grey finish meshes perfectly alongside the anthracite finish frame

1 of 3 shelf options for the Alpha frame

- Glass thickness: 5mm
- Smokey grey finish

CODE	TO SUIT
SKSHG450	450mm
SKSHG500	500mm
SKSHG600	600mm
SKSHG800	800mm
SKSHG900	900mm
SKSHG10	1000mm
SKSHG12	1200mm



Smokey grey finish



LEATHER SHELF

The Kaos faux leather shelf for Alpha frame. Inserts straight into the frame in an anthracite finish. Perfect addition to add a soft touch to your wardrobes

1 of 3 shelf options for the Alpha frame

- Faux leather thickness: 18mm
- Anthracite finish

CODE	TO SUIT
SKSHL450	450mm
SKSHL500	500mm
SKSHL600	600mm
SKSHL800	800mm
SKSHL900	900mm
SKSHL10	1000mm
SKSHL12	1200mm



Anthracite finish



WOODEN SHELF

The Kaos wooden shelf for Alpha frame. Inserts straight into the frame in a Dark Chestnut elegant finish

1 of 3 shelf options for the Alpha frame

- Shelf thickness: 18mm
- Dark chestnut wooden finish
- Available from 450mm up to 1200mm

CODE	TO SUIT
SKSHM450	450mm
SKSHM500	500mm
SKSHM600	600mm
SKSHM800	800mm
SKSHM900	900mm
SKSHM10	1000mm
SKSHM12	1200mm



Dark chestnut wooden finish



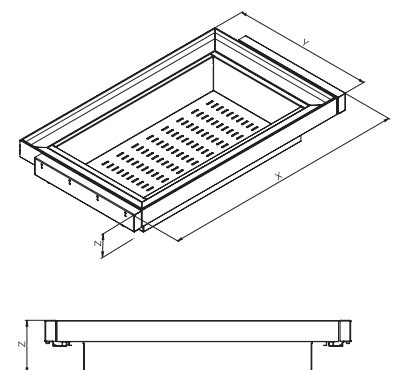
STEEL TRAY

The Kaos Steel Tray for Alpha frame. Available in two heights, perfect for storing clothing for your wardrobe in an elegant anthracite finish

- Available in two heights (60mm & 120mm)
- Item made of powder-coated metal in anthracite finish
- Features a perforated bottom for better ventilation
- Optional faux leather mat available in anthracite finish
- Suitable for cabinet widths from 600mm to 1200mm



CODE	TO SUIT	X	Y	Z
SKBX600 (S/L)	600	550-568	520	90/150
SKBX800 (S/L)	800	750-768	520	90/150
SKBX900 (S/L)	900	850-868	520	90/150
SKBX10 (S/L)	1000	950-968	520	90/150
SKBX12 (S/L)	1200	1150-1168	520	90/150



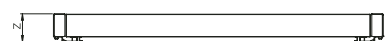
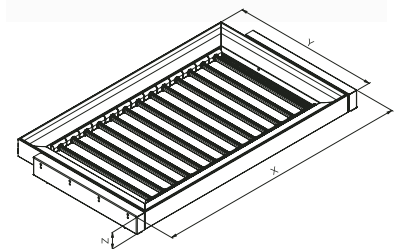


TROUSER RACK

The Kaos Modular Trouser Rack for Alpha frame. Trouser rack kits available in a variety of configurations and is available from 450mm up to 1200mm

- Provides convenient access to and organisation of trousers
- Easily adjustable allowing space for thick/thin trousers
- Item made of powder-coated metal in anthracite finish
- Anti-slip rubber insert supplied
- Available in 4 pieces to 19 pieces per set

CODE	TO SUIT	X	Y	Z	PIECES
SKTRO450	450	400-418	520	72	4
SKTRO500	500	450-468	520	72	5
SKTRO600	600	550-568	520	72	7
SKTRO800	800	750-768	520	72	11
SKTRO900	900	850-868	520	72	13
SKTRO10	1000	950-968	520	72	15
SKTRO12	1200	1150-1168	520	72	19

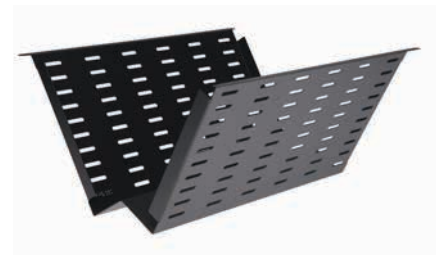
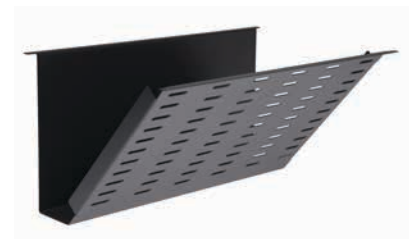




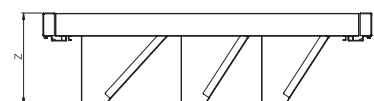
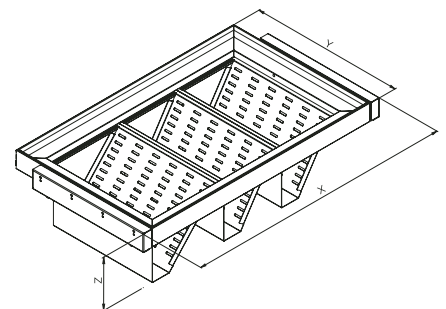
SHOE RACK

The Kaos Modular Steel Shoe Rack for Alpha frame. Available in multiple widths and configurations to suit your application in an elegant anthracite finish

- Made of powder-coated metal in anthracite finish
- Features a perforated side for better ventilation
- Available in different models for greater adaptability
- Suitable for cabinet widths from 450mm to 1200mm



CODE	TO SUIT	X	Y	Z	PIECES
SKSHO450	450	400-418	520	237	1
SKSHO500	500	450-468	520	237	1
SKSHO600	600	550-568	520	237	1
SKSHO800	800	750-768	520	237	2
SKSHO900	900	850-868	520	237	3
SKSHO10	1000	950-968	520	237	3
SKSHO12	1200	1150-1168	520	237	3





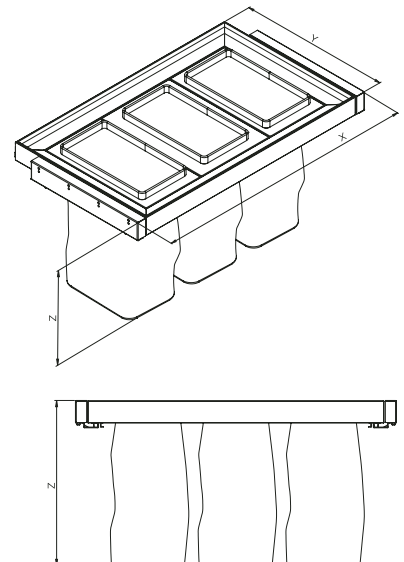
FABRIC HAMPER

The Kaos Modular Fabric Hamper for Alpha frame. Laundry hamper kits available in a variety of configurations and is available from 450mm up to 1200mm

- Structure made of powder-coated metal in anthracite finish
- Waterproof, stain-resistant, breathable and machine-washable bag in anthracite fabric
- Available in different models for adaptability to different widths



CODE	TO SUIT	X	Y	Z	PIECES
SKLAU450	450	400-418	520	438	1
SKLAU500	500	450-468	520	438	1
SKLAU600	600	550-568	520	438	1
SKLAU800	800	750-768	520	438	2
SKLAU900	900	850-868	520	438	3
SKLAU10	1000	950-968	520	438	3
SKLAU12	1200	1150-1168	520	438	3



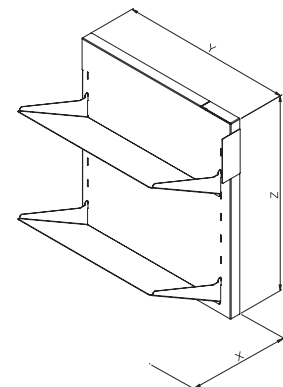
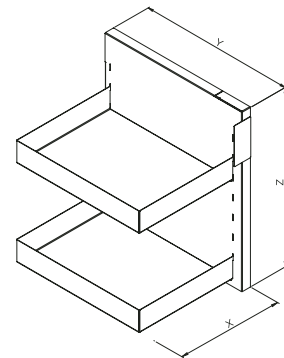


PULL-OUT BASKET/ SHOE RACK

The Kaos Pull Out Shelf & Shoe Rack. Available in 2 parts, simply purchase the left or right frame, then select either the Pull-Out Baskets or Shoe Racks. Optional faux matting is also available

- Available in left or right application
- Made of powder-coated metal in anthracite finish
- Optional faux leather matting in anthracite finish available
- Supplied with SIGE Slides

CODE	TO SUIT	X	Y	Z
SKPOSSML (Left Frame)	450	400	505	580
SKPOSSMR (Right Frame)				
SKPOS380 (Pull-Out Baskets)				
SKPOSSML (Left Frame)	450	300	505	580
SKPOSSMR (Right Frame)				
SKPOS275 (Shoe Rack)				



Optional Leather Matting
Code: **SKPOSML**
Pieces: 2
To suit: **SKPOS380**



MULTI-PURPOSE STEEL SHELF

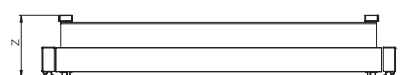
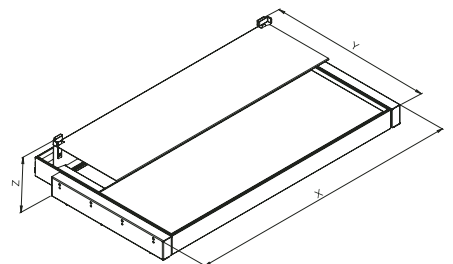
The Kaos Multipurpose Steel Shelf for Alpha frame. Locks when in the open position for extra stability when in use and is available from 900mm to 1200mm

- Suitable for workstations and make-up stations
- Item made of powder-coated metal in anthracite finish
- Optional faux leather matting for lower shelf in anthracite finish
- Possibility of locking the shelf in the open position

CODE	TO SUIT	X	Y	Z
SKDES900	900	850-868	520	158
SKDES10	1000	950-968	520	158
SKDES12	1200	1150-1168	520	158

Optional Leather Matting

CODE	TO SUIT
SKMATD900	900
SKMATD10	1000
SKMATD12	1200





LAUNDRY BASKETS



WIRE LAUNDRY BASKETS

- Includes Blum 30kg TANDEM plus runners
- Orion Grey finish
- Made in Italy
- Easy to install
- Life-cycle tested to ensure ongoing and dependable quality
- Suits commercial and residential spaces
- Minimum height: 630mm
- Minimum width: 450mm
- Minimum depth: 515mm

Technical Details

CODE	▶◻◀	INTERNAL WIDTH W/ FRAME	MIN. DEPTH	HEIGHT	CAPACITY
SWL4560	450mm	370mm	515mm	566mm	60L
SWL6090	600mm	520mm	515mm	630mm	90L



LAUNDRY BASKETS

60L LAUNDRY BASKET

- To suit 450mm carcass
- Made in Italy
- Easy to install
- Life-cycle tested to ensure ongoing and dependable quality
- Suits commercial and residential spaces
- To suit Blum MOVENTO 500mm Runners (locking devices not required)
- Movento 40kg or 60kg runner sold separately
- White finish
- Minimum internal cabinet height: 600mm
- Minimum internal cabinet width: 410mm
- Minimum internal cabinet depth: 505mm



Technical Details

CODE	▶◻◀	WIDTH	DEPTH	HEIGHT	CAPACITY
SWL4560W	450mm	414mm	501mm	567mm	60L (1x60L)

Kits

Includes SIGE 60L (1x60L) Laundry Basket and 500mm Blum MOVENTO runners

CODE	CAPACITY	WEIGHT CAPACITY
SWL4560K1	60L (1x60L)	40kg
SWL4560K2	60L (1x60L)	60kg

LAUNDRY BASKETS

60L LAUNDRY BASKET

- To suit 450mm carcass
- Made in Italy
- Easy to install
- Life-cycle tested to ensure ongoing and dependable quality
- Suits commercial and residential spaces
- To suit Blum MOVENTO 500mm runners (locking devices not required)
- Movento 40kg or 60kg runner sold separately
- White finish
- Minimum internal cabinet height: 620mm
- Minimum internal cabinet width: 410mm
- Minimum internal cabinet depth: 505mm



Technical Details

CODE	▶◻◀	WIDTH	DEPTH	HEIGHT	CAPACITY
SWL45260W	450mm	418mm	501mm	610mm	60L (2x30L)

Kits

SIGE 60L (2x30L) Laundry Basket and 500mm Blum MOVENTO runners

CODE	CAPACITY	WEIGHT CAPACITY
SWL45260K1	60L (2x30L)	40kg
SWL45260K2	60L (2x30L)	60kg

LAUNDRY BASKETS

90L LAUNDRY BASKET

- To suit 600mm carcass
- Made in Italy
- Easy to install
- Life-cycle tested to ensure ongoing and dependable quality
- Suits commercial and residential spaces
- To suit Blum MOVENTO 500mm runners (locking devices not required)
- Movento 40kg or 60kg runner sold separately
- White finish
- Minimum internal cabinet height: 600mm
- Minimum internal cabinet width: 560mm
- Minimum internal cabinet depth: 505mm



Technical Details

CODE	▶◻◀	WIDTH	DEPTH	HEIGHT	CAPACITY
SWL6090W	600mm	568mm	501mm	567mm	90L (1x90L)

Kits

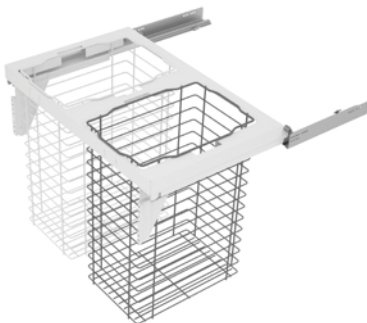
Includes SIGE 90L (1x90L) Laundry Basket and 500mm Blum MOVENTO runners

CODE	CAPACITY	WEIGHT CAPACITY
SWL6090K1	90L (1x90L)	40kg
SWL6090K2	90L (1x90L)	60kg

LAUNDRY BASKETS

120L LAUNDRY BASKET

- To suit 800mm carcass
- Made in Italy
- Easy to install
- Life-cycle tested to ensure ongoing and dependable quality
- Suits commercial and residential spaces
- To suit Blum MOVENTO 500mm runners (locking devices not required)
- Movento 60kg runner sold separately
- White finish
- Minimum internal cabinet height: 600mm
- Minimum internal cabinet width: 760mm
- Minimum internal cabinet depth: 505mm



Technical Details

CODE	▶◻◀	WIDTH	DEPTH	HEIGHT	CAPACITY
SWL80120W	800mm	768mm	501mm	567mm	120L (2x60L)

Kits

Includes SIGE 120L (2x60L) Laundry Basket and 500mm 60kg Blum MOVENTO runners

CODE	▶◻◀	CAPACITY	WEIGHT CAPACITY
SWL80120K1	800mm	120L (2x60L)	60kg

SIGE ZONE LAUNDRY STORAGE CLOSET KITS



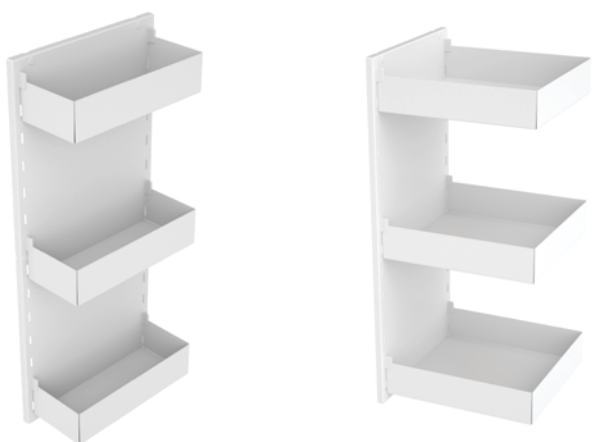
3 BASKET STORAGE CLOSET KIT

The SIGE Zone Storage Closet Kits are made from high quality painted sheet metal, and are available in a white finish. These kits are designed to be mounted inside the door of a storage closet.

3 shelf unit consists of:

- Three shelves and a broom/tube holder accessory in painted metal sheet

CODE	MIN. WIDTH	MIN. DEPTH	MIN. HEIGHT
SPSCK300W	≥300mm	490mm	1000mm
SPSCK500W	≥500mm	490mm	1000mm



SIGE ZONE LAUNDRY STORAGE CLOSET KITS



2 BASKET STORAGE CLOSET KIT

2 shelf unit consists of:

- Two shelves and multipurpose hooks in painted metal sheet.

CODE	MIN. WIDTH	MIN. DEPTH	MIN. HEIGHT
SPSCK400W	400mm	100mm	1000mm





WASTE BINS



Exclusive to Wilson & Bradley, SIGE waste bin solutions feature an advanced product design that seamlessly blends both style and function to deliver a product offer that suits a variety of spaces.

Designed with soft-close runners, these units are available in a variety of bucket sizes and suit a wide range of cabinets.

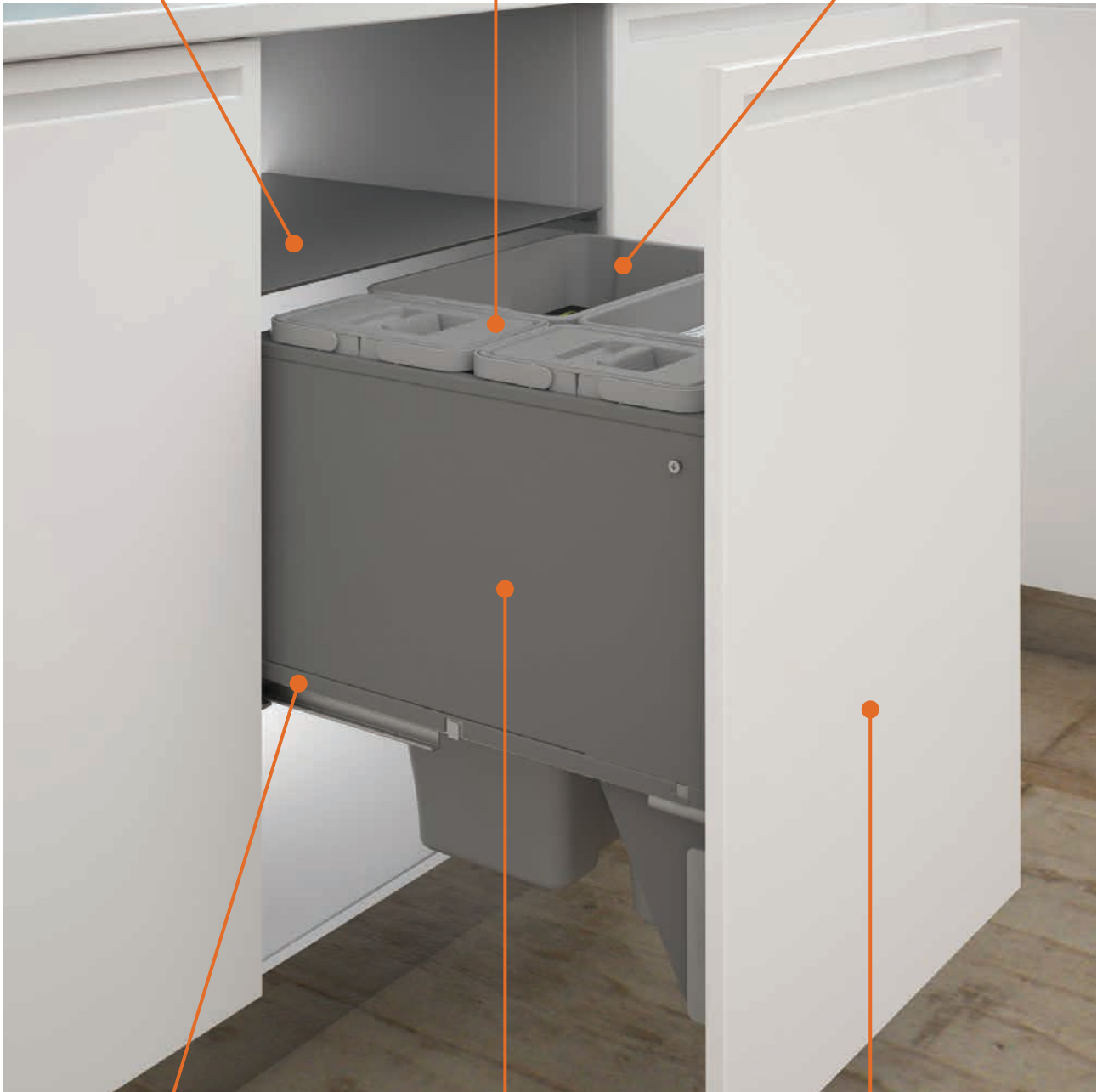
SIGE waste bins are purpose-engineered for easy installation, premium style and robust durability.

KEY FEATURES

Built-in metal lid sealing
in unwanted smells

Designed with fitted lid
to seal in odours

Inner bins are made of easy
to clean plastic



Soft-close full extension
runners ensure quiet,
smooth operation

Optimum stability
and adjustment

Suitable for both commercial
and residential spaces (kitchens,
bathrooms, laundries etc.)

SIGE WASTE BINS



CODE	CAPACITY	CARCASE WIDTH	WIDTH	DEPTH	HEIGHT
SWB3030	30L (1x24L + 1x6L)	300mm	268mm	500mm	520mm
SWB3048	48L (2x24L)	400mm	368mm	500mm	520mm
SWB4560	60L (1x60L)	450mm	418mm	515mm	630mm
SWB4570	70L (2x35L)	450mm	418mm	500mm	570mm
SWB5070	70L (2x35L)	500mm	468mm	500mm	570mm
SWB6082	82L (2x35L + 2x6L)	600mm	568mm	500mm	570mm
SWB80105	105L (3x35L)	800mm	768mm	501mm	550mm

105L WASTE BIN KIT

Includes SIGE 105L bin and Blum 500mm 60kg MOVENTO runners

CODE	WIDTH	DEPTH	HEIGHT	WEIGHT CAPACITY
SWB80105K	768mm	501mm	550mm	60kg



CARCASE WIDTH					
300mm		400mm		450mm	
	30L (1x24L + 1x6L) CODE: SWB3030		48L (2x24L) CODE: SWB4048		60L (1x60L) CODE: SWB4560
					70L (2x35L) CODE: SWB4570
500mm		600mm		800mm	
	70L (2x35L) CODE: SWB5070		82L (2x35L + 2x6L) CODE: SWB6082		105L (3x35L) CODE: SWB80105

SIGE UNDER SINK BINS



Wilson & Bradley's exclusively designed SIGE under sink bin comprises of a metal insert, along with plastic bins and trays.

This flexible system is compatible with all Blum drawer heights and is a great fit for all kitchen applications. Just place it in the drawer and it is ready to go.

Key Features:

- To suit 900mm carcass
- To suit Blum LEGRABOX, MERIVOBX and TANDEMBOX 400mm deep drawers
- Comprised of metal insert, bins and trays
- To suit all drawer heights
- Easy to install
- Finish: **White**



CODE	CAPACITY	CARCASS WIDTH	WIDTH	DEPTH	HEIGHT
SMUSWB900	45L (3x15L)	900mm	818mm	372mm	280mm

TO SUIT LEGRABOX, MERIVOBX AND TANDEMBOX 400MM DEEP DRAWERS





UNDER SINK DRAWERS



The SIGE under sink drawers fit perfectly around under sink pipes and are ideal for the organisation of cleaning products.

Suitable for installation in kitchens, bathrooms and laundries, the SIGE under sink drawer integrates the elite runner system created to meet the highest expectations by Blum.

Key Features:

- Made in Italy
- Composed by metal inserts, bucket fittings and dividers
- To suit Blum TANDEMBOX and LEGRABOX systems

To suit TANDEMBOX 500mm drawers

CODE	FINISH	CARCASE WIDTH	WIDTH	DEPTH	HEIGHT	INSERTS	WEIGHT CAPACITY
SMUSD900T	White	900mm	864mm	505mm	80mm	5 white trays	30 or 65kg*

To suit LEGRABOX 500mm drawers

CODE	FINISH	CARCASE WIDTH	WIDTH	DEPTH	HEIGHT	INSERTS	WEIGHT CAPACITY
SMUSD900L	White	900mm	864mm	505mm	80mm	5 white trays	40 or 70kg*



Code: SMUSWB900



Instagram:
@wilsonandbradley



Facebook:
Wilson & Bradley



YouTube:
@wilsonandbradley



TikTok:
@wilsonandbradley



Pinterest
@wilsonandbradley



Houzz
Wilson & Bradley



ArchiPro:
@wilsonandbradley

Melbourne

94 Bell Street
Preston VIC 3072

Sydney

Unit 4, 3 Basalt Road
Greystanes NSW 2145

Perth

19 Christable Way
Landsdale WA 6065

Brisbane

Building 4.1, Logrunner Place
Willawong QLD 4110

Adelaide

9/20 Cheltenham Parade
Woodville SA 5011

Tasmania

Ph: 1800 633 507

Contact us for more information on any of our products, or visit our website for instructional videos, promotions and manuals.

Wilson & Bradley Pty Ltd

Support

1800 633 507
sales@wilbrad.com.au

Online Store

wilbrad.com.au

wilson
&bradley

Scan the QR code to
view our interactive
brochures online.

