

wilson
&bradley

SIGE KAOS

WARDROBE SYSTEM





For the first time in over 50 years, SIGE develops a product for the wardrobe. The result is Kaos, an explosion of creativity that offers endless solutions for organising your wardrobe.

Kaos is an elegant, tidy and easily adaptable design concept, which includes a range of high-quality products made of anthracite painted steel.

Customisable with a range of accessories including: pull-out frames and storage units in two sizes, hook-on elements, shoe, laundry and trouser racks, and pull-out shelves that turn into smart workstations capable of using all available space.

Kaos is the result of years of research in the field of ergonomics applied to design, the meeting point between style and versatility. Shapes that give harmony and new spaces in the bedroom. The perfect wardrobe is born from Kaos.






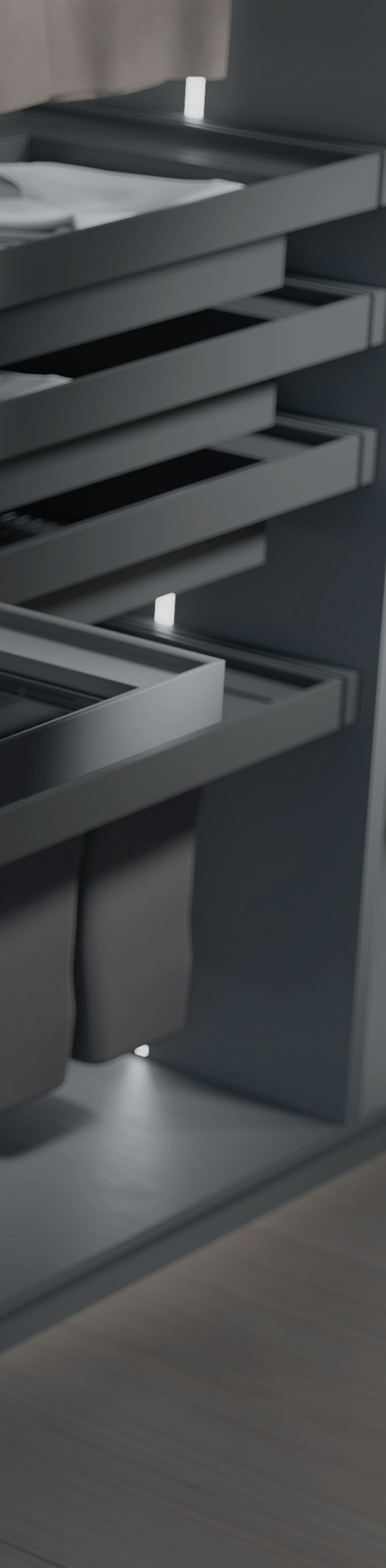
TAILOR YOUR
WARDROBE TO
SUIT YOUR NEEDS







ONE FRAME
MULTIPLE
SOLUTIONS



HOW THE KAOS SYSTEM WORKS

The SIGE Kaos Wardrobe system is centred around the Alpha frame, available in two heights and a range of widths to suit any space. From there, add on accessories to suit the frame and build your ideal wardrobe.

The Alpha frame has been specifically built to suit Blum 450mm MOVENTO runners for easy assembly and long lasting functionality.

STEP 1:

Select the Alpha frame:

Available in two heights (58mm or 128mm) and widths ranging from 450mm to 1200mm

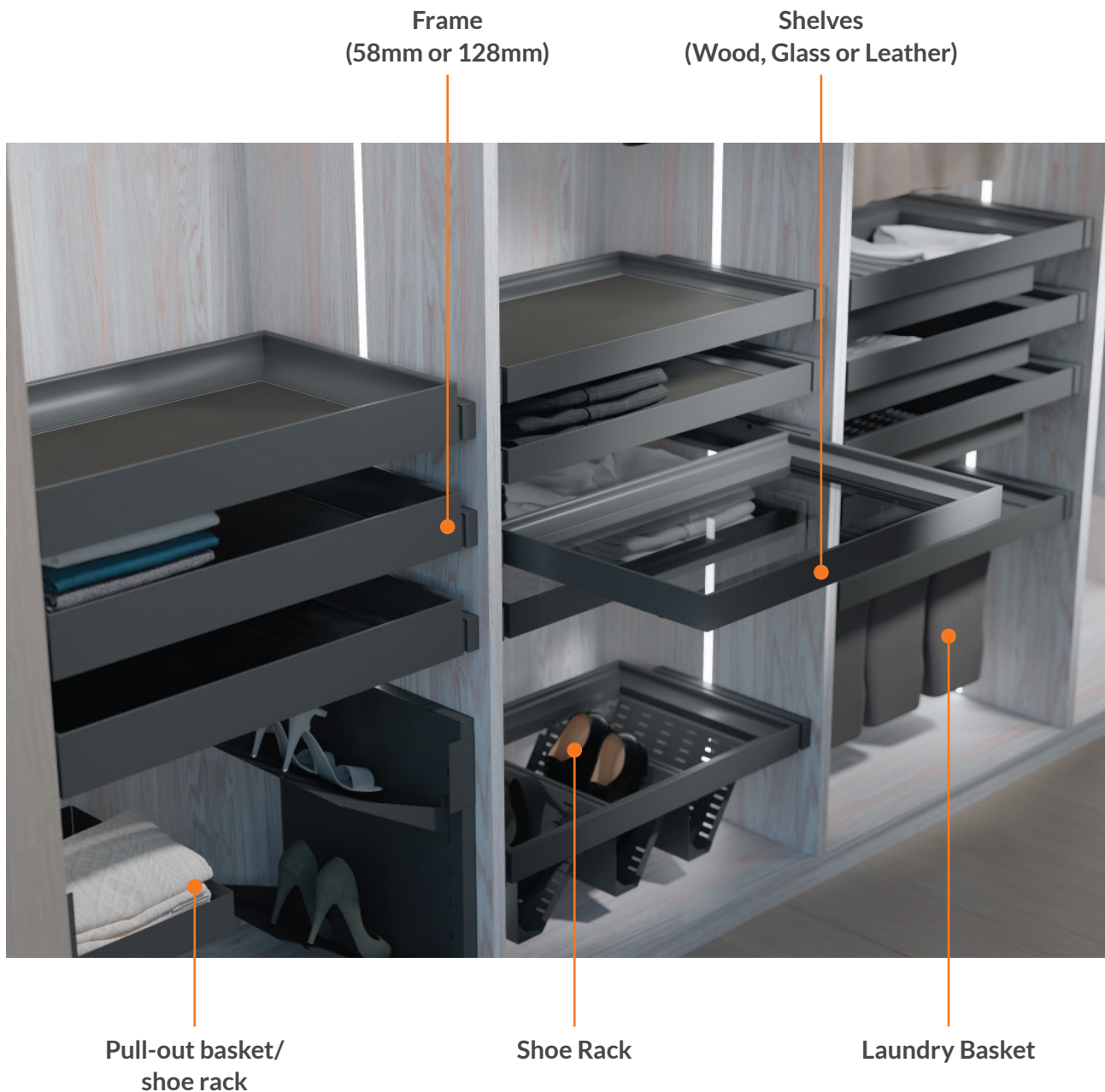
STEP 2:

Select the accessories to suit the frame:

Kaos offers a range of accessories including Shelves, Trays, Shoe Racks, Trousers Racks and Laundry Baskets. Alternatively, the flexibility of the Kaos system allows for you to customise and personalise your inserts based on individual needs

STEP 3:

Select your 450mm Blum MOVENTO runners





arketipo

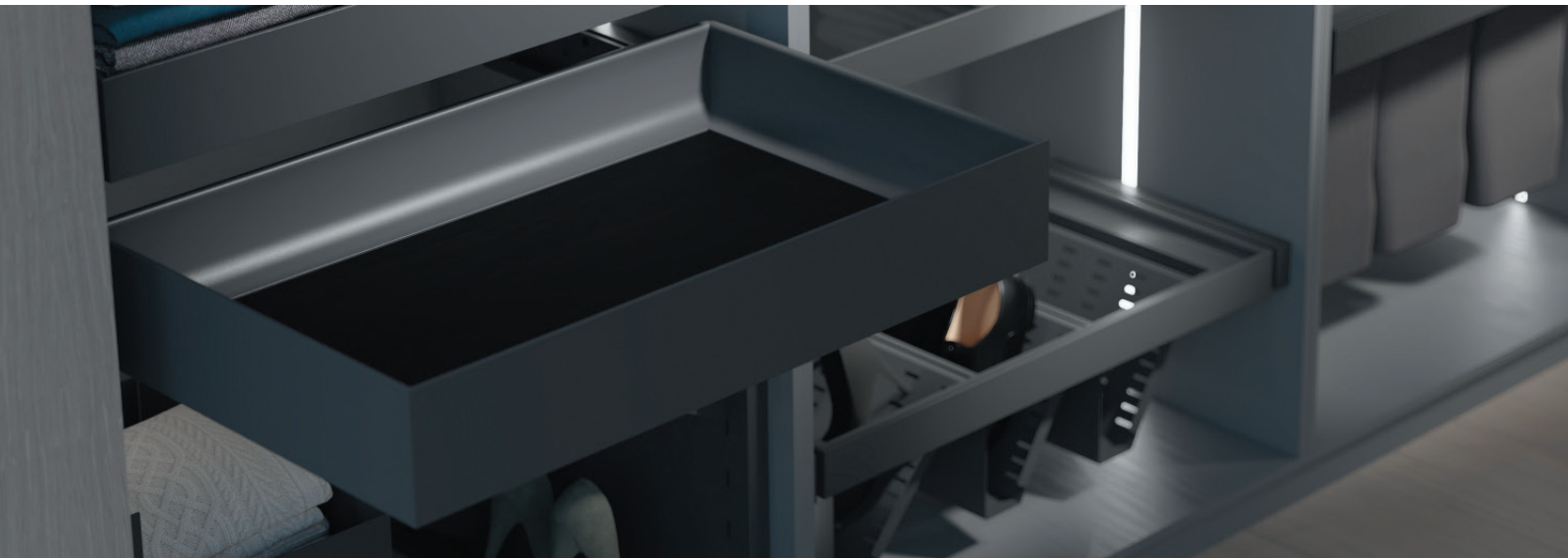
SICS
Joseph Constantino
LUZZATO

ALPHA FRAME

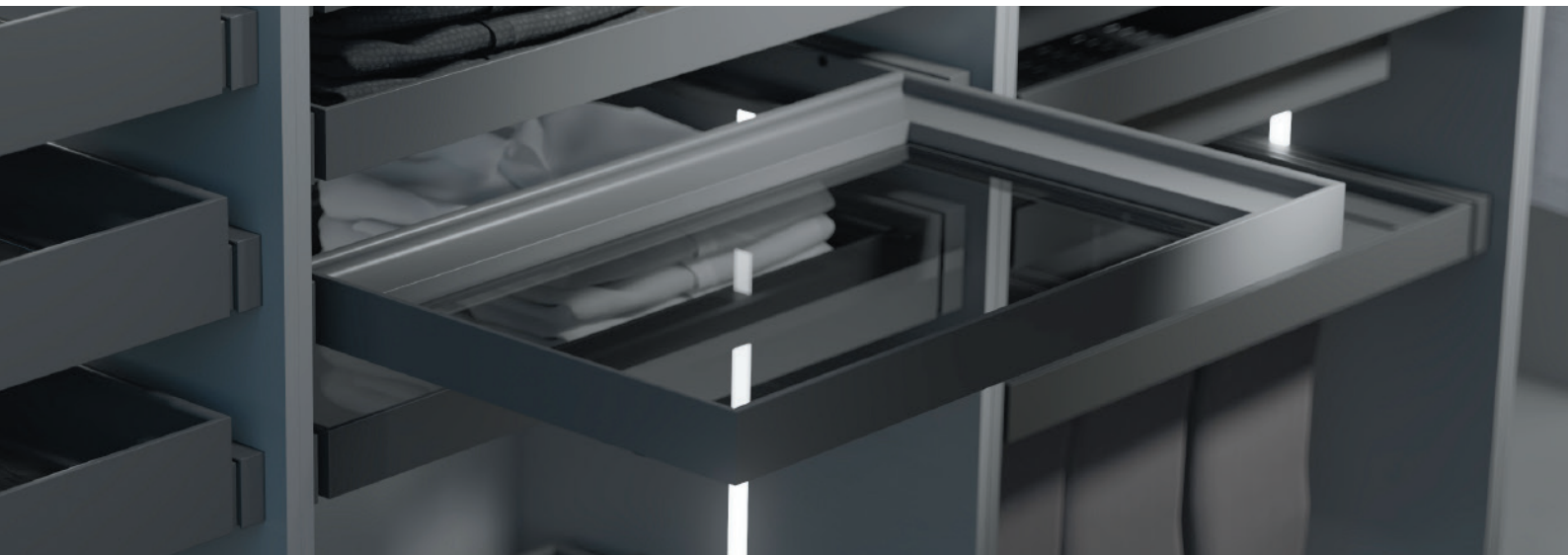


The centre of the Kaos system - available in two heights and a multitude of widths

SHELVES



Wooden shelf for Alpha frame - inserts straight into the frame in a dark chestnut elegant finish



Glass shelf for Alpha frame - inserts straight into the frame in a smokey grey finish



Faux Leather shelf for Alpha frame - inserts straight into the frame in an anthracite finish.

ACCESSORIES





Steel tray - available in two heights with perforated bottom for better ventilation



Multi-purpose shelf - perfect for creating a work desk or makeup station



Shoe rack - in multiple configurations with perforated sides for better ventilation



Modular laundry basket - in multiple configurations with breathable and machine-washable bags



Pull-out basket/shoe rack - with optional faux leather matting



Modular trouser rack - in multiple configurations to suit you individual needs



Contact us for more information on any of our products, or visit our website for instructional videos, promotions and manuals.

Online Store

www.wilbrad.com.au

Phone

1800 633 507

VIC

94 Bell Street
Preston VIC 3072

NSW

Unit 4, 3 Basalt Road
Greystanes NSW 2145

WA

19 Christable Way
Landsdale WA 6065

QLD

105 Corymbia Place
Parkinson QLD 4115

SA

79 Frederick St
Welland SA 5007

TAS

Ph: 1800 633 507



Scan the QR code to view our interactive brochures online.



@wilsonandbradley