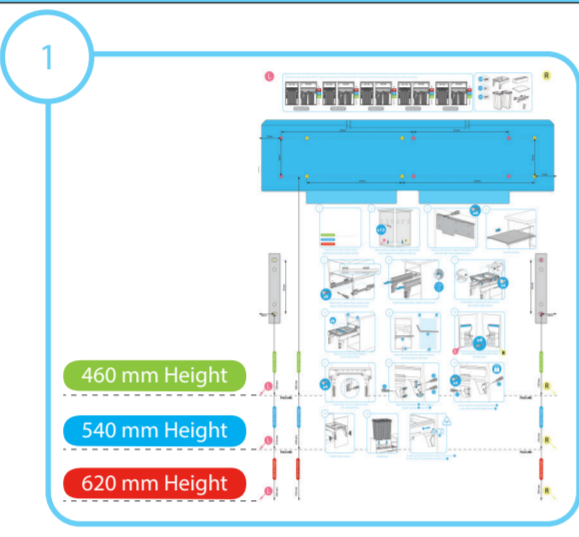
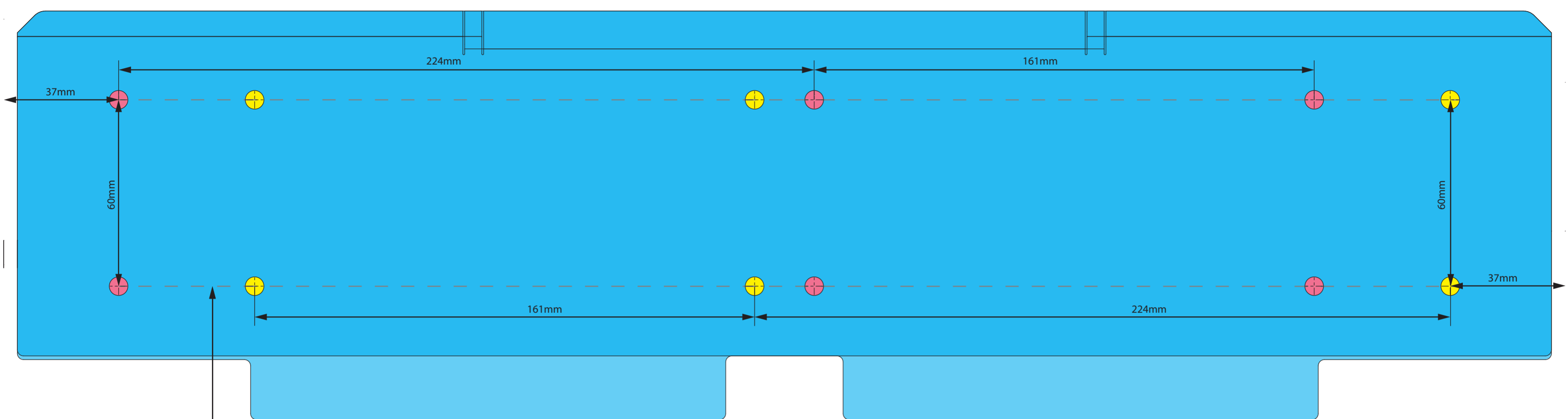
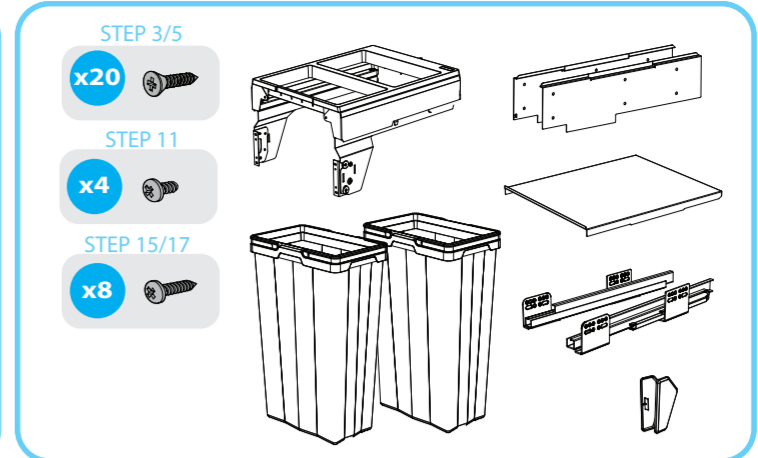
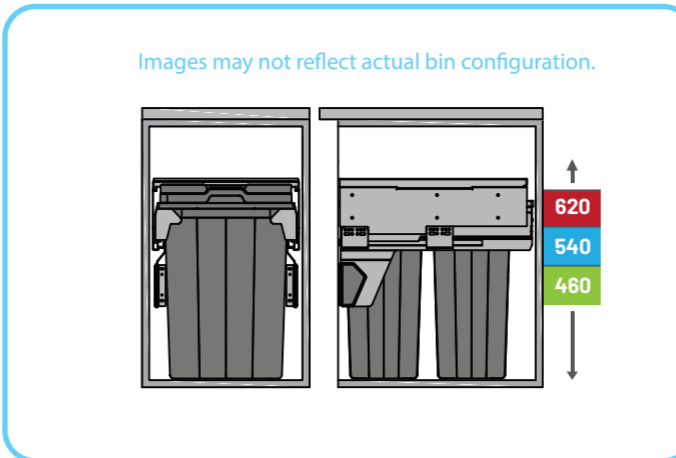


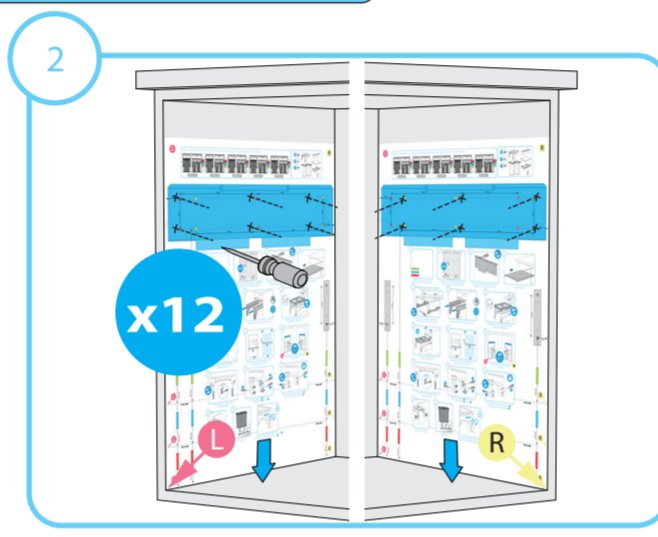
L

R

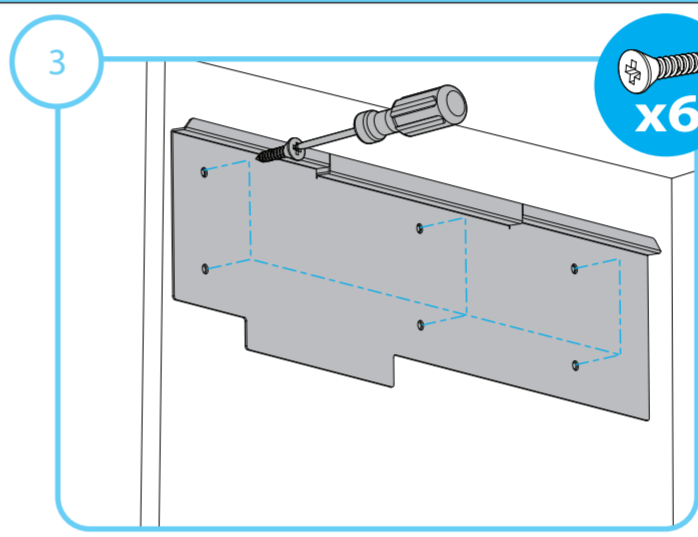
# wilson & bradley **ki o ra**



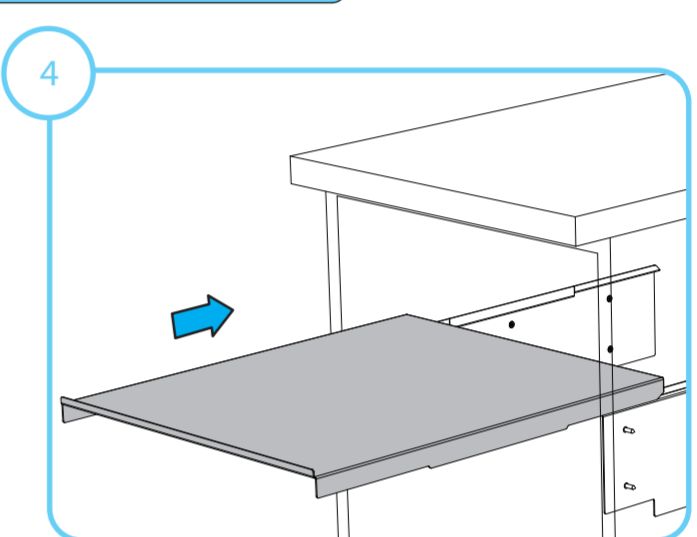
Fold the instruction sheet to the appropriate product height option.



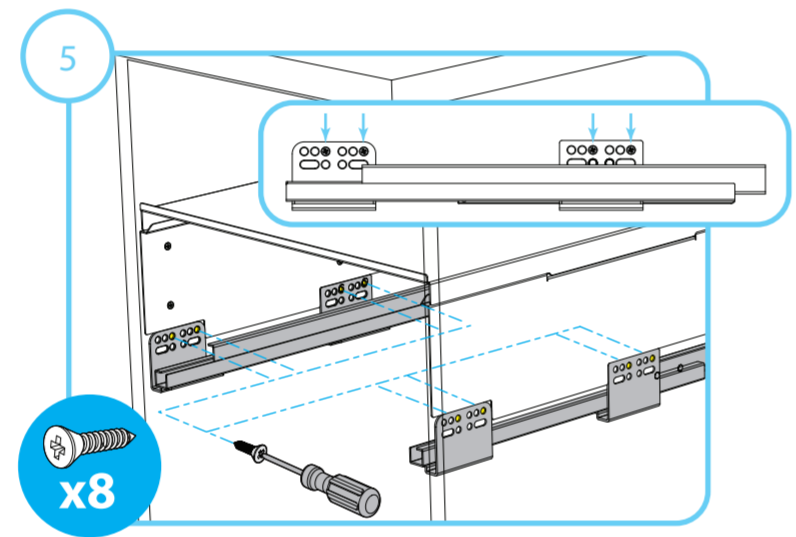
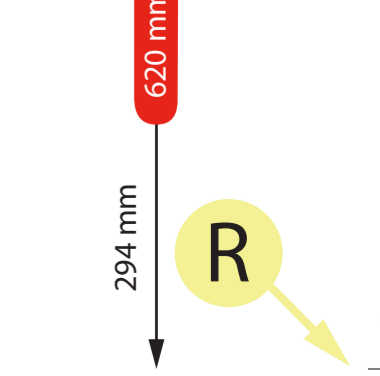
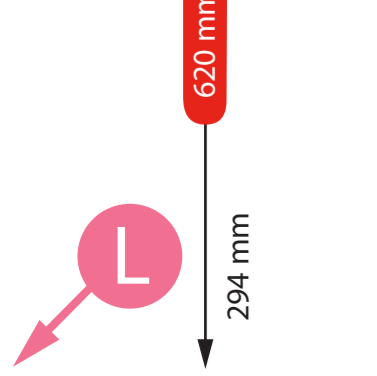
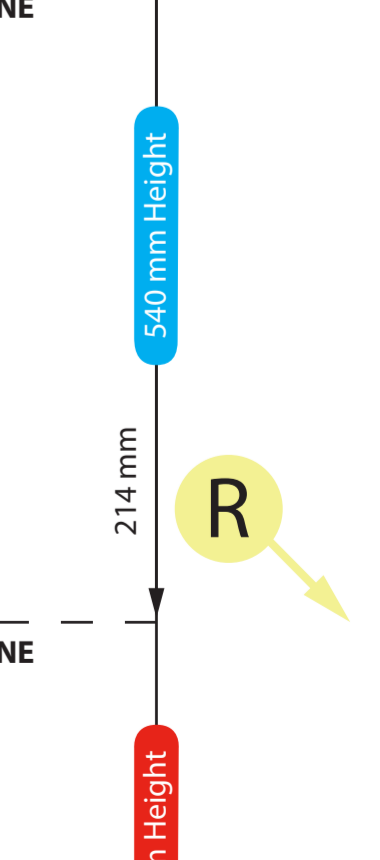
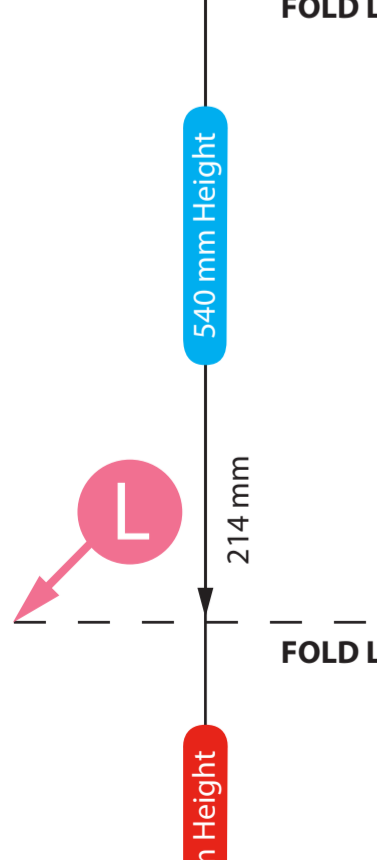
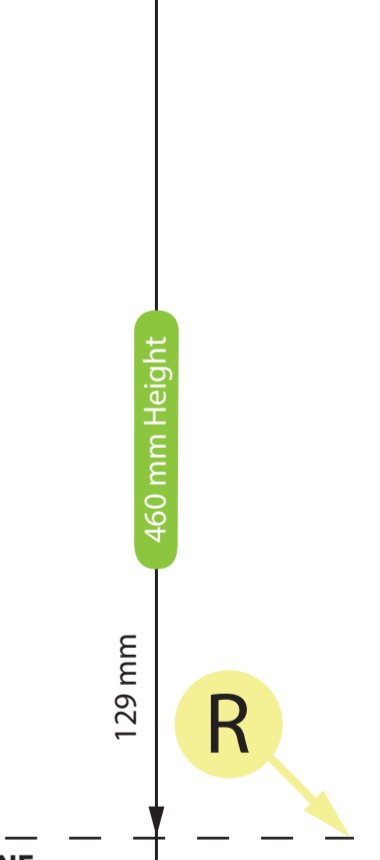
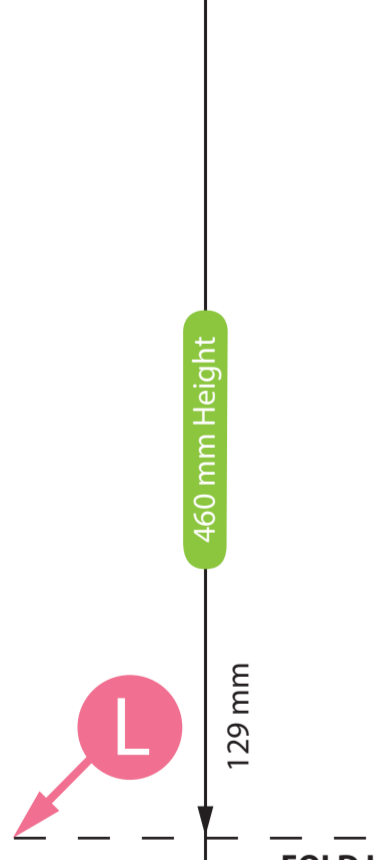
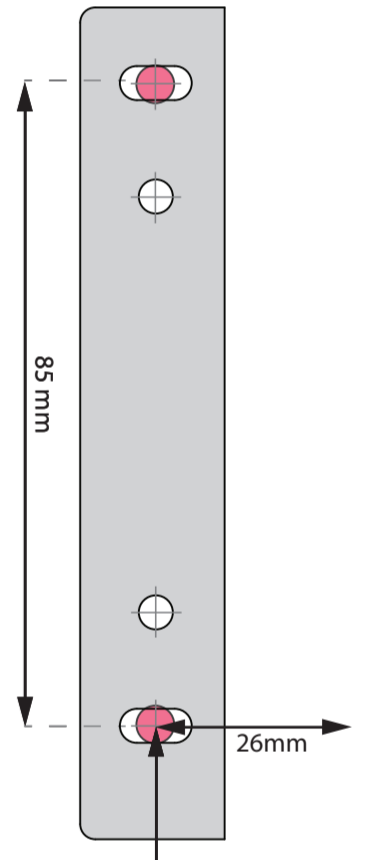
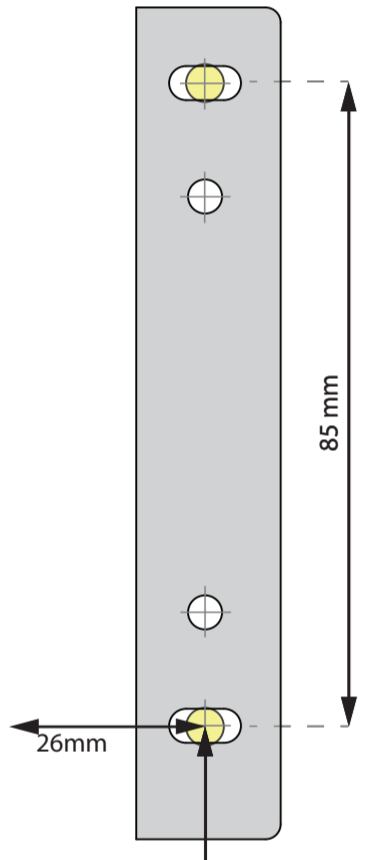
Measure from bottom edge of cabinet and use template to mark holes with awl.



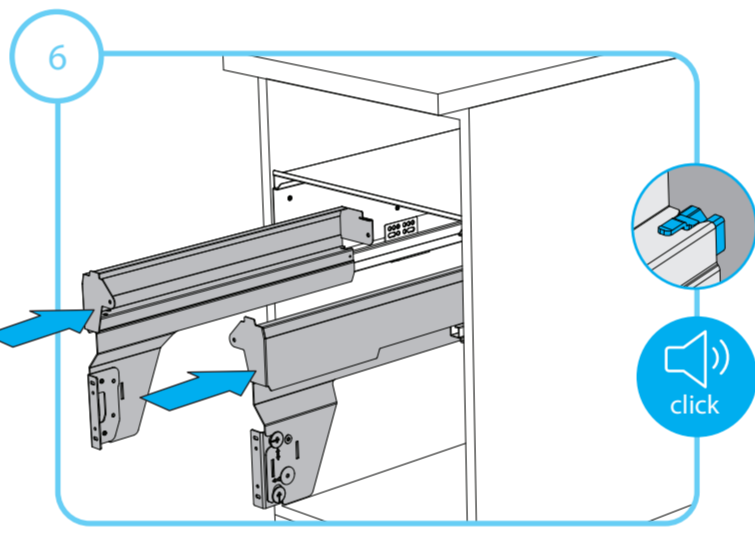
Attach both left and right metal plates to cabinet wall using supplied screws.



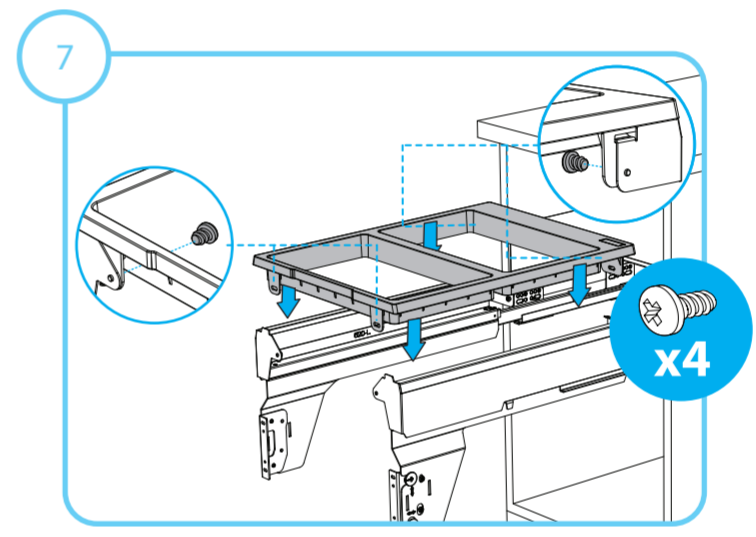
Install metal lid.



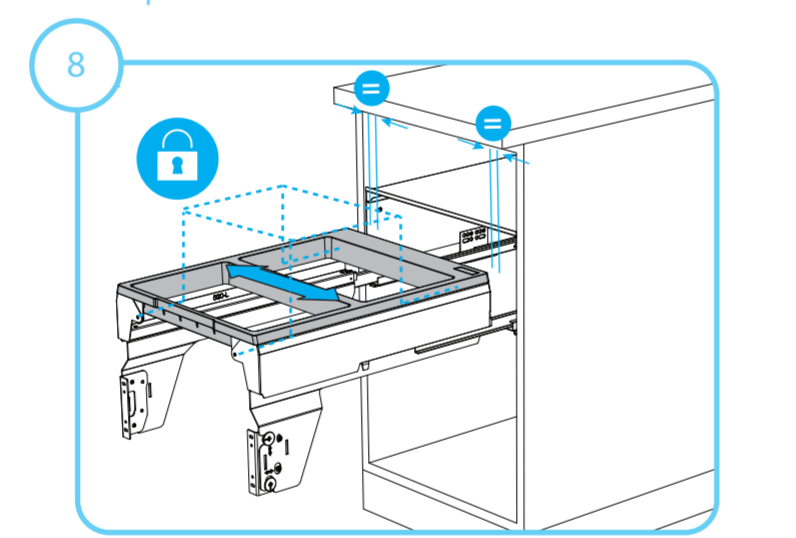
Align lower runners flush under metal plates. Drill and screw lower runners.



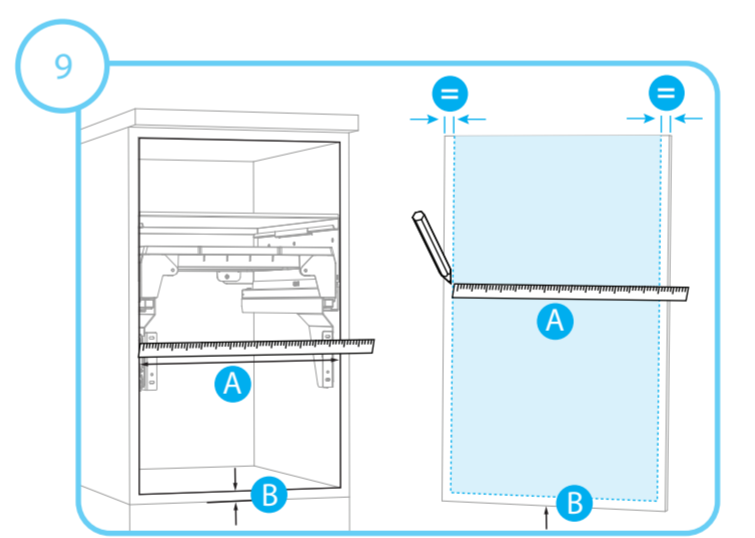
Install metal brackets. Makes click sound.



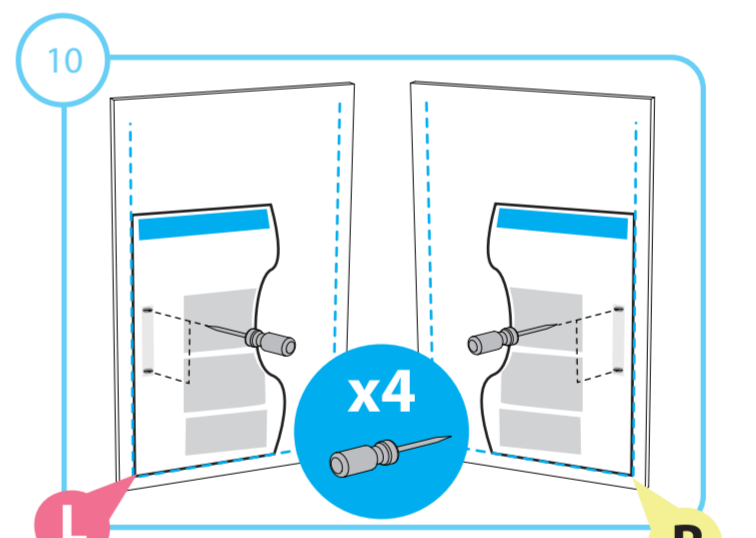
Install plastic tray loosely with screws, allowing for adjustment.



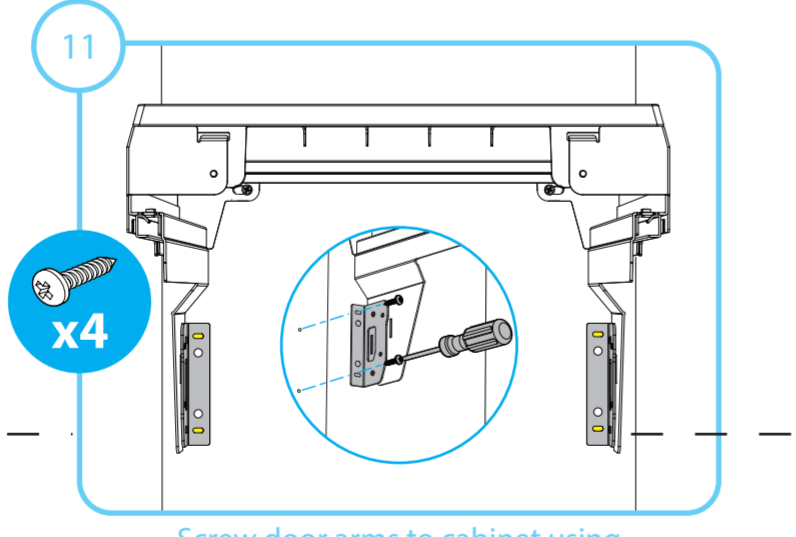
Adjust plastic tray position, tighten screws when parallel.



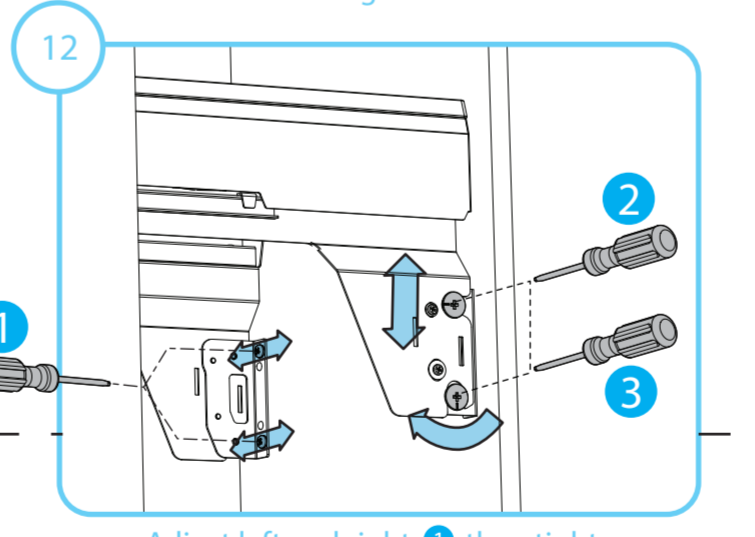
Measure and mark the cabinet bottom and side edge on the door.



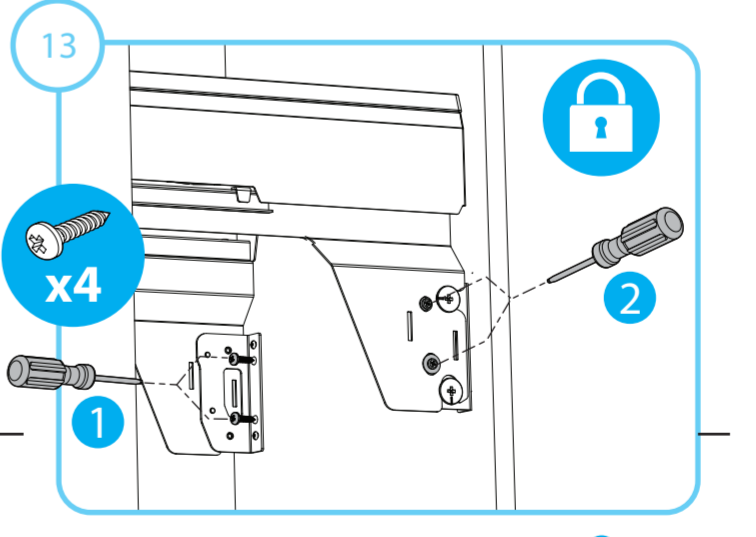
Use template to mark bracket holes on the door.



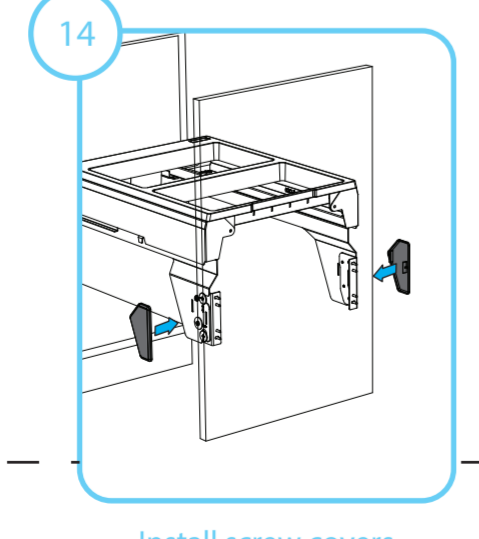
Screw door arms to cabinet using the slotted holes.



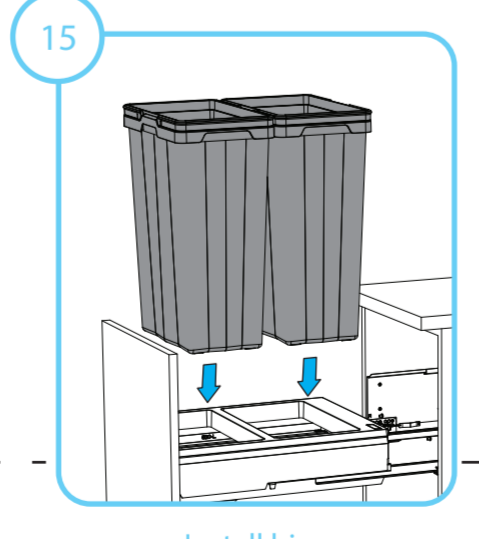
Adjust left and right 1 then tighten. Adjust vertical 2 and tilt 3.



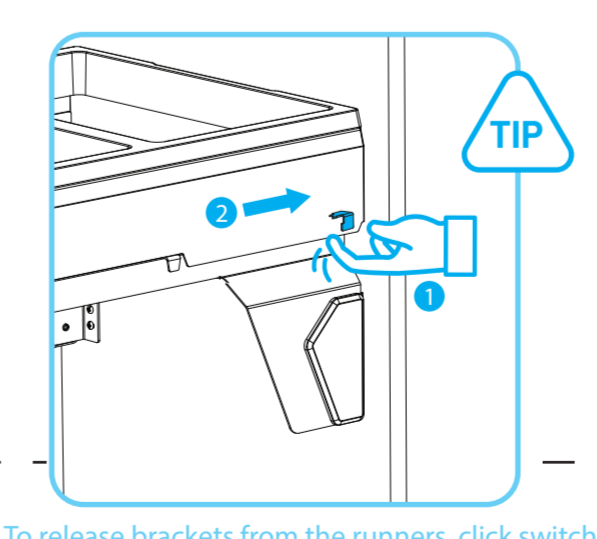
Screw the front bracket to the door. Lock vertical and tilt adjustment.



Install screw covers.



Install bins.



To release brackets from the runners, click switch 1 on the sides of the brackets and slide out 2.

