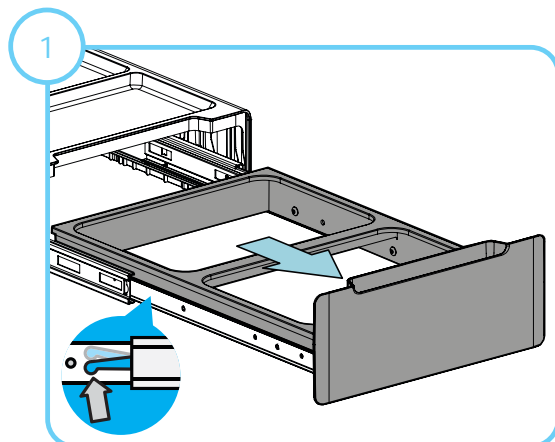
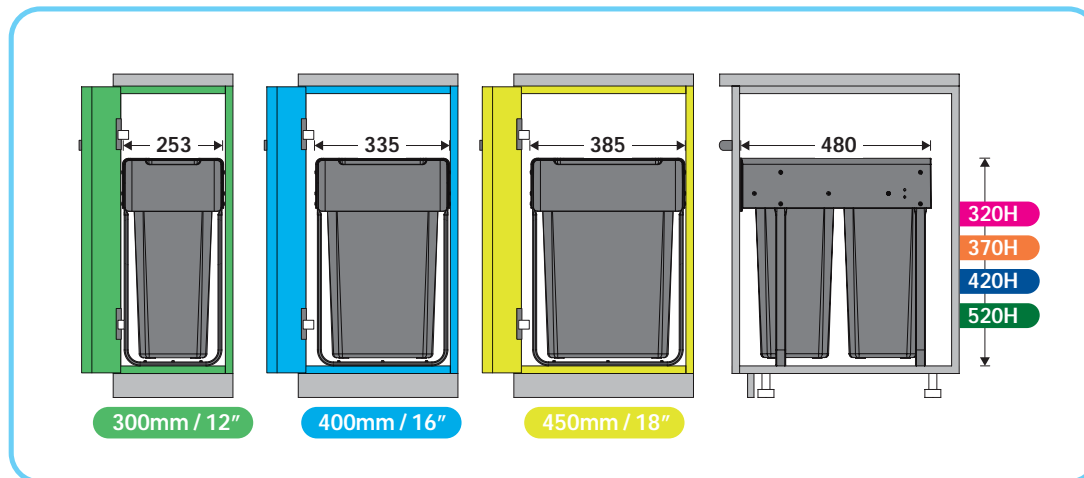
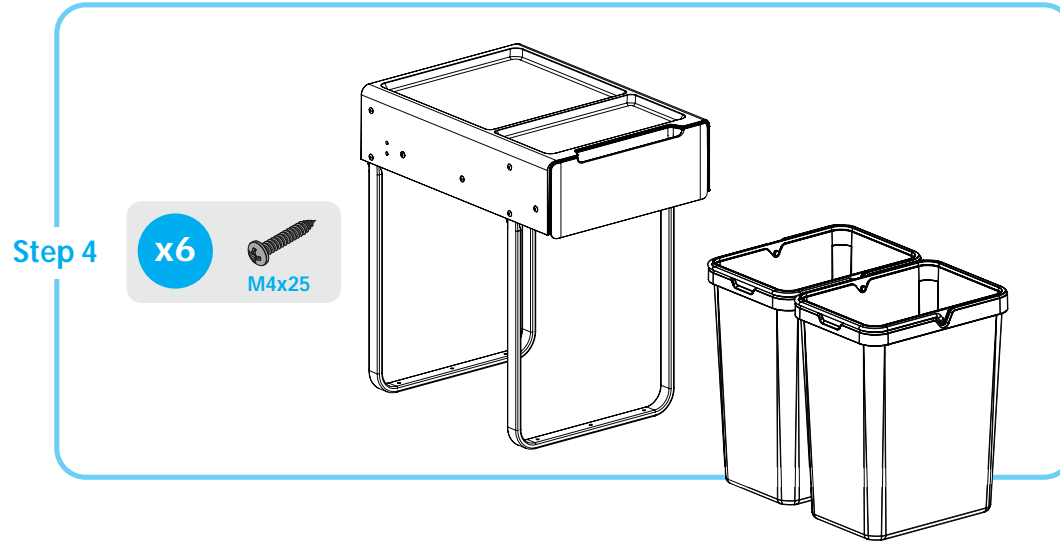
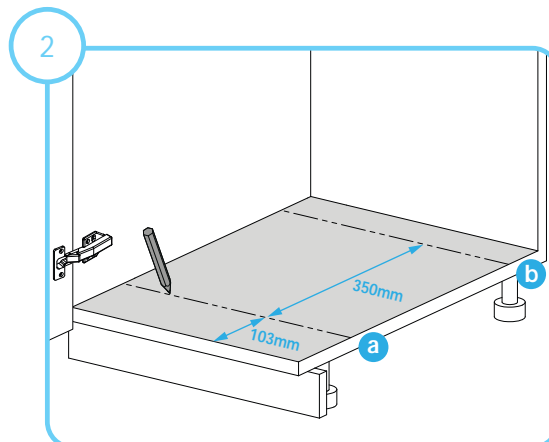


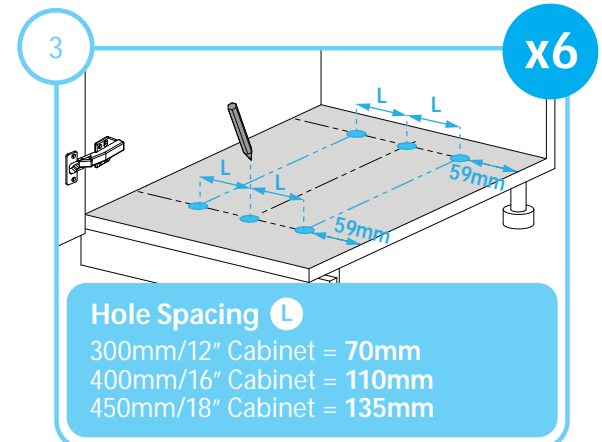
Hinge Door Type



Separate runners from assembly using runner clips

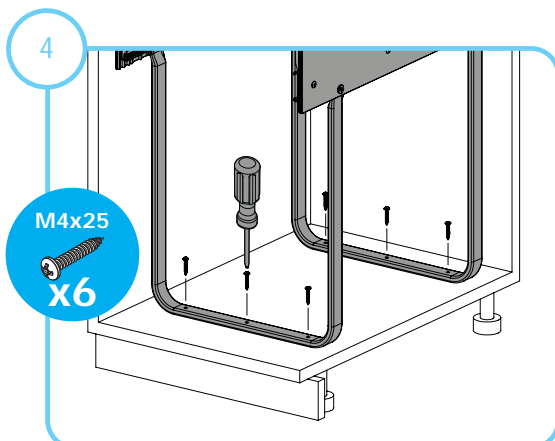


Measure and mark lines **a** and **b**

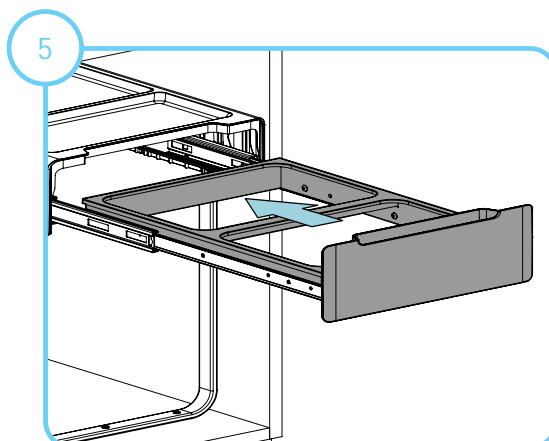


**Hole Spacing L**  
 300mm/12" Cabinet = 70mm  
 400mm/16" Cabinet = 110mm  
 450mm/18" Cabinet = 135mm

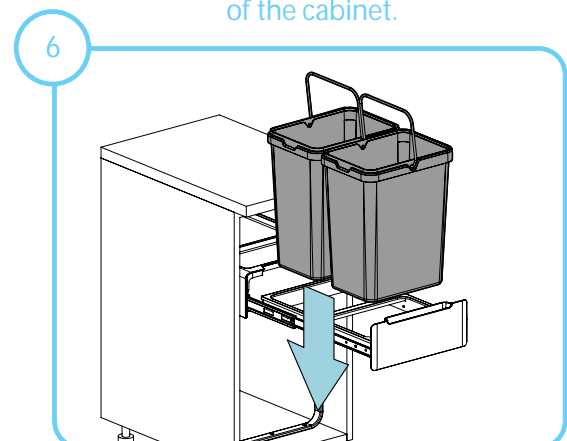
Measure the holes from the side opposite the door hinges. Drill holes in the bottom of the cabinet.



Screw brackets to bottom of cabinet



Slide the tray into runners, it should make a click sound



Install Bins