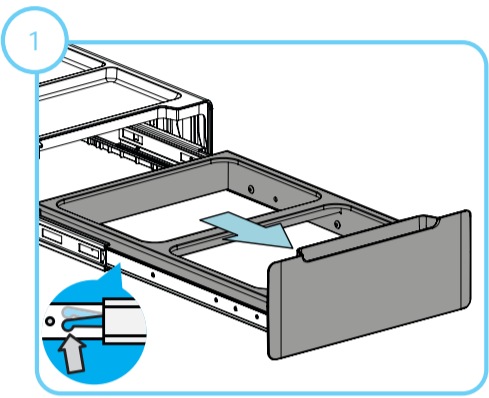
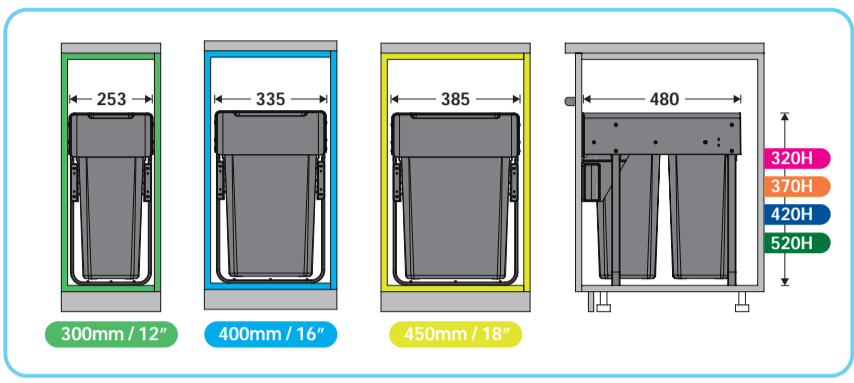


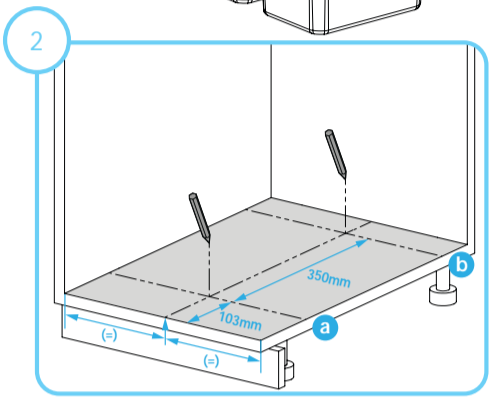
Door Mount Type

- Step 4 **x6** M4x25
- \* Step 5 **x4** M5x8 + **x4** M5x2.5
- Step 11 & Step 13 **x8** M4x16

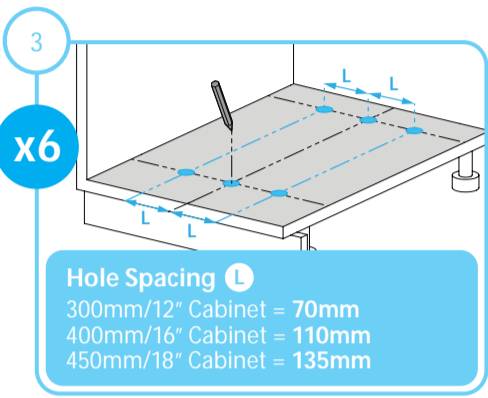
\* If preassembled, skip Step 5



Separate runners from assembly using runner clips



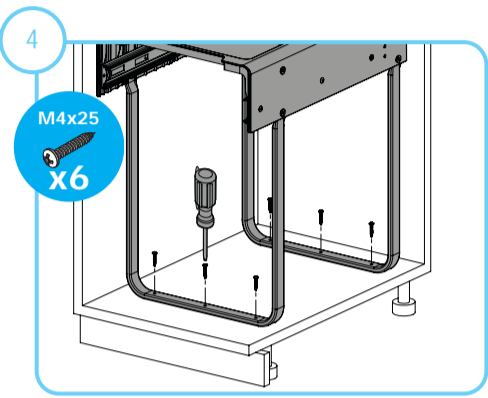
Measure and mark the centre line of the cabinet. Mark lines **a** and **b**



**x6**

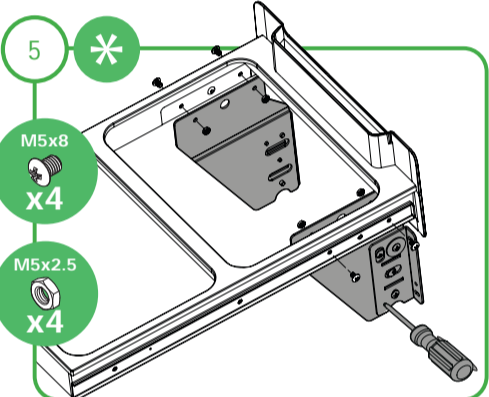
Hole Spacing **L**  
 300mm/12" Cabinet = 70mm  
 400mm/16" Cabinet = 110mm  
 450mm/18" Cabinet = 135mm

Drill mounting holes in the bottom of the cabinet



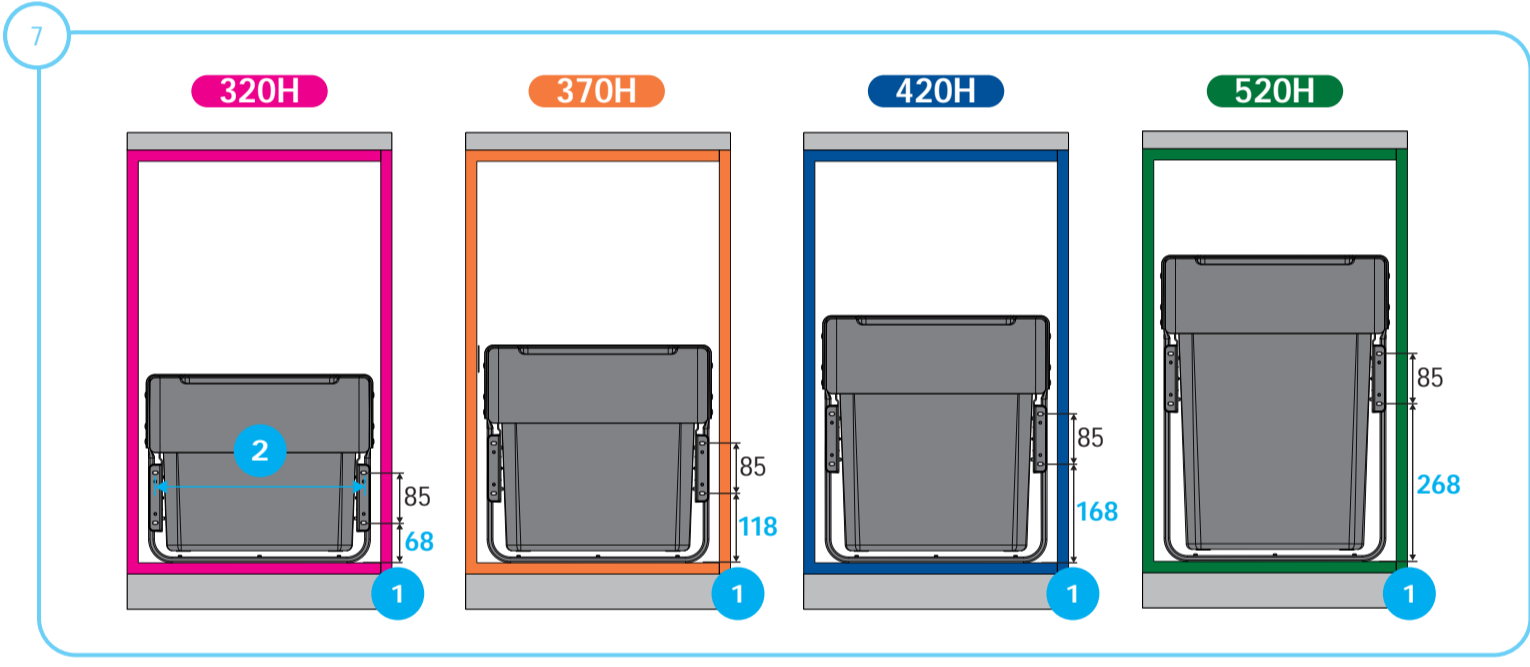
**x6** M4x25

Screw brackets to bottom of cabinet



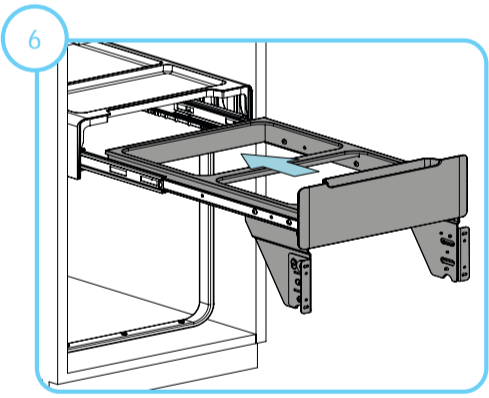
**x4** M5x8  
**x4** M5x2.5

Screw door mount brackets to tray if not preassembled

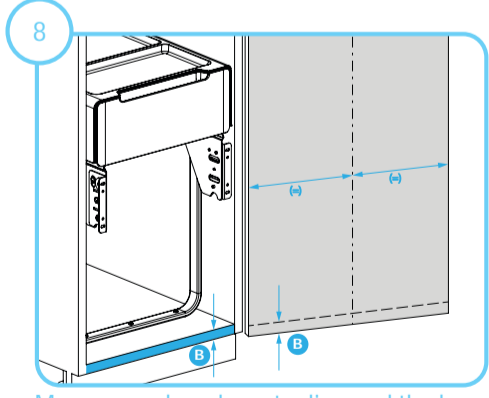


**2** Choose the corresponding hole width based on your cabinet size:

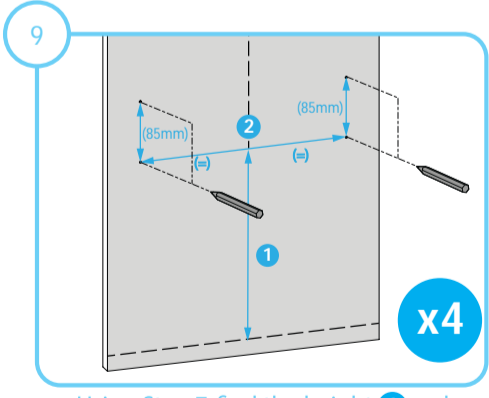
- 300mm/12" Cabinet = 222mm
- 400mm/16" Cabinet = 304mm
- 450mm/18" Cabinet = 354mm



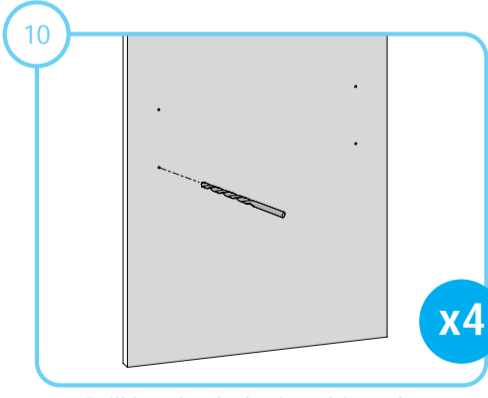
Slide the tray into runners, it should make a click sound



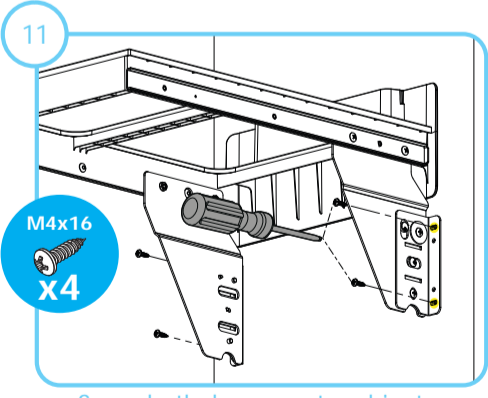
Measure and mark centre line and the base of the cabinet on the door



Using Step 7, find the height **1** and the hole width **2**, and mark 4 holes as shown above

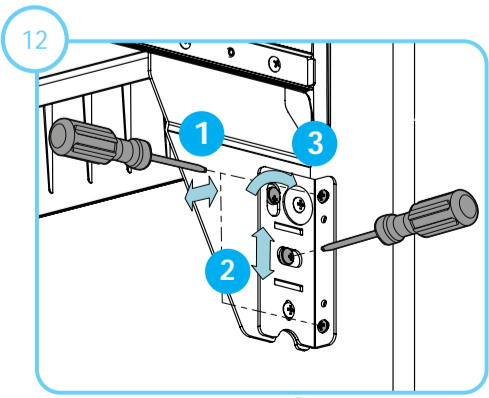


Drill bracket holes in cabinet door

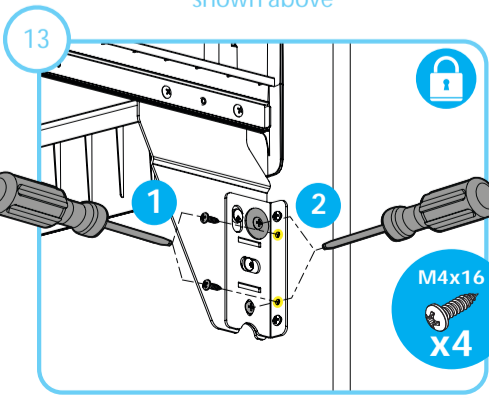


**x4** M4x16

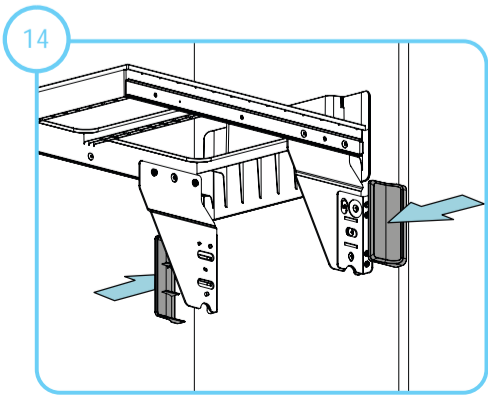
Screw both door arms to cabinet using the slotted holes



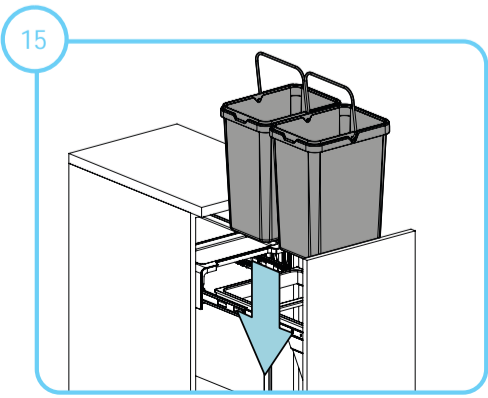
Adjust left and right **1** then tighten. Adjust vertical **2** and tilt **3**



Screw the front bracket to the door **1** Lock vertical and tilt adjustment **2**



Clip in screw covers to door mounts



Install bins