

BLUMOTION S

One solution – three technologies

www.blum.com

 **blum**[®]

The world is complicated enough

Requirements for individuality and a wide range of design possibilities are becoming increasingly popular. Therefore, it's even more important that these requirements are met in a simple way. That's why we strive for technically sophisticated product innovations, to make things easier for you.

blum



Simply better: BLUMOTION S

The flexibility to implement multiple motion technologies with only one runner, and one optimal dampening function that has been adjusted to the respective technology – this is what our new BLUMOTION S for LEGRABOX offers.

blum

TIP-ON BLUMOTION

When you want a solution for drawers and pull-outs that not only closes silently but can also be opened with just a light touch, TIP-ON BLUMOTION is ideally suited for this. With an addition of the opening support system, the BLUMOTION S runner transforms from a BLUMOTION runner to a TIP-ON BLUMOTION runner. Thanks to the unique intelligent product design, the dampening path adjusts automatically. The assembly is tool-free.

Optimised BLUMOTION

Have you ever slammed a pull-out shut?

By using the BLUMOTION S runner, it will optimise the dampening path, increasing the dampening performance – and pull-outs can be closed more silently.



SERVO-DRIVE

Do you want the highest possible usability during opening and closing?

Then SERVO-DRIVE is the solution for you.

The BLUMOTION S runner is supplemented here with the respective SERVO-DRIVE components.





Simply flexible: BLUMOTION S

The BLUMOTION S runner improves on the crucial parts, while retaining the familiar straightforward assembly. The markings on the BLUMOTION S housing help with the tool-free and time-saving assembly of TIP-ON BLUMOTION components.

blum



Same components
Both TIP-ON BLUMOTION and SERVO-DRIVE use the existing motion technology components. Accessories like the side stabiliser for wide drawers and pull-outs remain the same as well.



Drilling and fixing positions remain unchanged
The drilling and fixing positions remain the same for each of the three motion technologies. This way, BLUMOTION S can offer higher flexibility while keeping the same fittings.

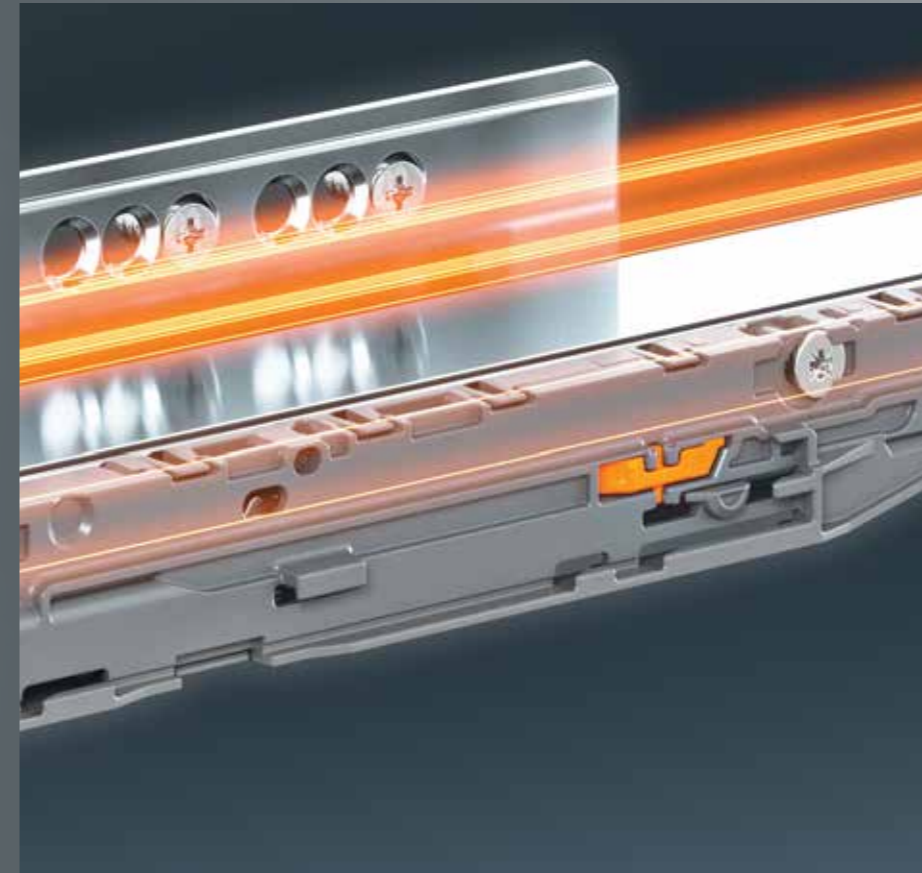


Familiar adjustment options
The integrated adjustment of height, side, tilt and depth produces an attractive gap layout for LEGRABOX.



One solution – three technologies.

BLUMOTION S



BLUMOTION

S switchable

7x0.xxxxS

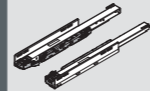
The runner can be used for three motion technologies: SERVO-DRIVE, BLUMOTION and TIP-ON BLUMOTION Integrated, switchable BLUMOTION S for a silent and effortless closing action. The dampening path will be automatically adapted to the respective motion technology.

Optimise your inventory

Our new runner now provides you with even more.



LEGRABOX

Cabinet profiles left/right		40 kg	70 kg
	NL		
	270 mm	750.2701S	
	350 mm	750.3501S	
	400 mm	750.4001S	
	450 mm	750.4501S	753.4501S
	500 mm	750.5001S	753.5001S
	550 mm		753.5501S
	600 mm		753.6001S

NL Nominal length

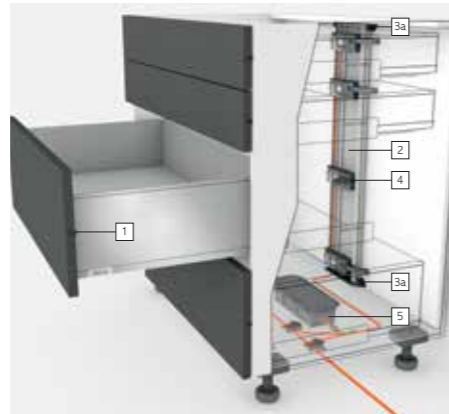
**BLUMOTION S cabinet profiles will become available when current BLUMOTION and TIP-ON BLUMOTION cabinet profile stock is exhausted.

SERVO-DRIVE for LEGRABOX



Additional components required for SERVO-DRIVE applications

Product



Order specification

1	Blum distance bumper		Part number
	Diameter		
	Ø 5 mm		993.0530
	Front heights up to 300 mm x 2 Front heights greater than 300 mm x 4		

2	Back profile			
	Length	Material	Cable	Part number
	670 mm	Aluminium	With	Z10T670AA
	750 mm	Aluminium	With	Z10T750AA
1170 mm for cutting to size Internal cabinet height LH – 10 mm	Aluminium	Without	Z10T1170A	

3a	Bracket profile attachment top/bottom		
	Material	Colour	Part number
	Nylon	Dust grey	Z10D01E0.01
	Cross bar construction horizontal		

Alternative to 3a			
3b	Bracket profile attachment lower/back		
	Material	Colour	Part number
	Nylon	Dust grey	Z10D01EA.01
	Cross bar construction vertical		

4	SERVO-DRIVE drive unit for drawers		
	Material	Colour	Part number
	Nylon	Dust grey	Z10A3000.03
	One SERVO-DRIVE drive unit required per drawer/pull-out Additional accessories depending on installation application		

5	Blum transformer*		
	Blum transformer 24W		Z10NE030D
	Flex		Z10M200K
	Transformer unit housing for cabinet base fixing	1x	Z10NG000
	Alternative: Transformer unit housing for panel fixing	1x	Z10NG120
	Connecting node (1x), Cable end protector (2x)		Z10V100E.01
	SERVO-DRIVE cable 8m** for cutting to size		Z10K800AE
	Cable holder		Z10K0009

*SERVO-DRIVE applications require a transformer for power supply. One transformer can connect up to 50 drawers/pull-outs.

**The SERVO-DRIVE cable can be used with a connecting node to extend the power supply cable.

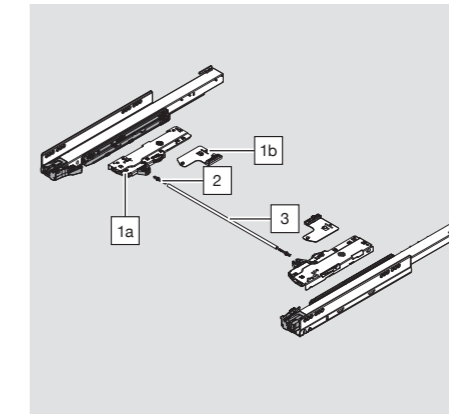
For planning, assembly, installation and adjustment information please refer to Blum's trade catalogue, Blum Product Configurator and/or our EASY ASSEMBLY App.

Additional components required for TIP-ON BLUMOTION applications

TIP-ON BLUMOTION for LEGRABOX



Product



Order specification

1a + 1b	Set containing TIP-ON BLUMOTION unit and TIP-ON BLUMOTION latch									
	Can be used for:			Recommended weight ranges* for an optimum opening and closing function						
	Nominal length (NL)	Unit	Part number	< 10 kg	20 kg	30 kg	40 kg	50 kg	60 kg	70 kg
	270 mm	S0	T60L7040	≤ 10						
		S1	T60L7140		> 10-20					
350 – 600 mm	L1**	T60L7340	≤ 20							
	L3	T60L7540				15 – 40				
	L5	T60L7570							35 – 70	

2	TIP-ON BLUMOTION synchronisation adapter	
	Symmetrical, in combination with synchronisation linkage, two items required per synchronisation linkage, for internal cabinet width ≥ 294 mm	T60.000D

3	TIP-ON BLUMOTION round synchronisation linkage for cutting to size	
	Possible for cabinet widths ≥ 287 mm Suitable for cabinet widths of up to 1400 mm	T60.1125W

Accessories		
Front gap template for TIP-ON BLUMOTION LEGRABOX / MOVENTO		
	Setting the front gap to 2.5 mm	65.5631

* Total weight of the pull-out

** L1 cannot be used with a 70kg cabinet profile and only to be used with a 40kg cabinet profile.

For planning, assembly, installation and adjustment information please refer to Blum's trade catalogue, Blum Product Configurator and/or our EASY ASSEMBLY App.

The company Blum

Founded over 60 years ago by Julius Blum, Blum is a family-owned company that operates on an international scale. Its strategic business segments include lift, hinge and pull-out systems. All our product developments focus on perfecting motion.

www.blum.com



Blum in Austria and around the world

The company has seven plants in Vorarlberg, Austria, additional production sites in Poland, the USA and Brazil and 29 subsidiaries/representative offices. Blum supplies more than 120 markets. The Blum Group employs 7,300 people in total, 5,500 of whom work in Vorarlberg.



Global customer benefits

“Whether manufacturer, distributor fitter or kitchen user – everybody should personally enjoy the benefits of Blum products” – that is Blum’s philosophy on global customer benefits.



Innovations

To support customers with innovative fittings solutions and secure long-term success for the company, we need to consistently invest in research and development in plants and facilities and in employee training. With more than 2,600 patents worldwide, Blum is one of Austria’s most innovative companies.



Quality

Blum’s comprehensive concept of quality does not only apply to products. Services and collaboration with customers and partners should also meet the same quality requirements.



Environment

At Blum, we believe that responsible ecological behaviour has long-term economic benefits. The longevity of products is just one of many important aspects. Other important measures include the use of environmentally-friendly processes, the intelligent use of materials and prudent energy management.



DYNAMIC SPACE

Good workflows, optimum use of storage space and top quality motion are important features of a practical kitchen. Blum’s ideas for practical kitchens are designed to bring function, convenience and ergonomics to furniture interiors.



 **Houzz** PRO :
Blum Australia

 **Instagram:**
@blumaustralia, #blumaustralia

 **Android App on Google Play:**
Easy Assembly App

 **Available on the App Store:**
Easy Assembly App

Tag Us:
#blumaustralia

Blum Showrooms Sydney (Head Office)

10 Blackbird Close
Len Waters Estate NSW 2170
Ph: 02 9612 5400

Adelaide

179 Railway Terrace
Mile End SA 5031
Ph: 08 8118 6070

Brisbane

6/39-45 Compton Road
Underwood QLD 4119
Ph: 07 3135 9490

Melbourne

245 Ferntree Gully Road
Mount Waverley VIC 3149
Ph: 03 9982 1720

Perth

3/50 Howe Sreet
Osborne Park WA 6916
Ph: 08 6467 0110

Blum Australia Pty Ltd
PO BOX 1615
Green Valley, NSW, 2168
Australia
Toll Free: 1800 179 186
E-mail: info.au@blum.com
blum.com

