



# CABLOXX

Greater design freedom  
for lockable furniture

[www.blum.com](http://www.blum.com)

 **blum**<sup>®</sup>

# An added touch for high-quality furniture

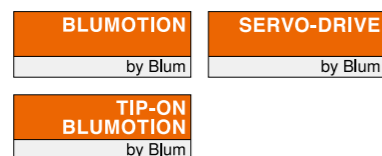
Lockable furniture can be used to secure a wide range of items, including precious personal items, confidential documents and valuable shop products. CABLOXX adds an extra layer of security to premium furniture, whilst offering plenty of design freedom.

## Contents

- 4 Different ideas, one solution
- 6 Protection against unauthorised access
- 8 Tip protection for free-standing furniture
- 10 Proven convenience during assembly
- 12 Ordering and planning information
- 22 moving ideas

# Different ideas, one solution

Blum's locking system offers a wide range of design options - regardless of whether it is used for LEGRABOX, MERIVOBX, TANDEMBOX, MOVENTO or TANDEM. Different cabinet widths and heights can be achieved with CABLOXX, as can different pull-out heights.



### All motion technologies

BLUMOTION, SERVO-DRIVE, or TIP-ON BLUMOTION Blum's locking system can be used with all electrical and mechanical motion technologies.



### Different colour variants

The front locking bracket can be adapted to each box system thanks to its three colour variants: terra black, orion grey, and silk white.



## Protection against unauthorised access

If you have items that need to be stored in an organised way, presented appealingly and stored safely, CABLOXX is the right solution for you. Pull-outs are securely locked and protected against unauthorised access. Blum's locking system is compatible with all standard cylinder locks.



### Safely out of the reach of children

A lockable pull-out is an ideal solution if you need a child safety latch on your furniture at home. Possible sources of danger such as cleaning products and medication are then stored safely away from children.

# Tip protection for free-standing furniture

The integrated tip protection of CABLOXX makes using furniture even safer. With a pull-out lock installed, only one pull-out can open at a time, which takes the options for free-standing furniture design to the next level.



## Proven convenience during assembly

Box and runner systems do not need to have special dimensions to be used in combination with CABLOXX. Height, side, tilt and depth are fully adjustable and are easy to use thanks to the flexibility of Blum's locking system.



### High flexibility

If the locking bar has been cut to the required size, the spacers and the locking mechanism units can be positioned wherever required. In other words, CABLOXX offers a high degree of freedom for the design process.



### No impact on pull-out system

The front locking bracket is not fixed to the drawer side but rather to the front directly. This way CABLOXX has no impact on the assembly or inner workings of the corresponding pull-out system.



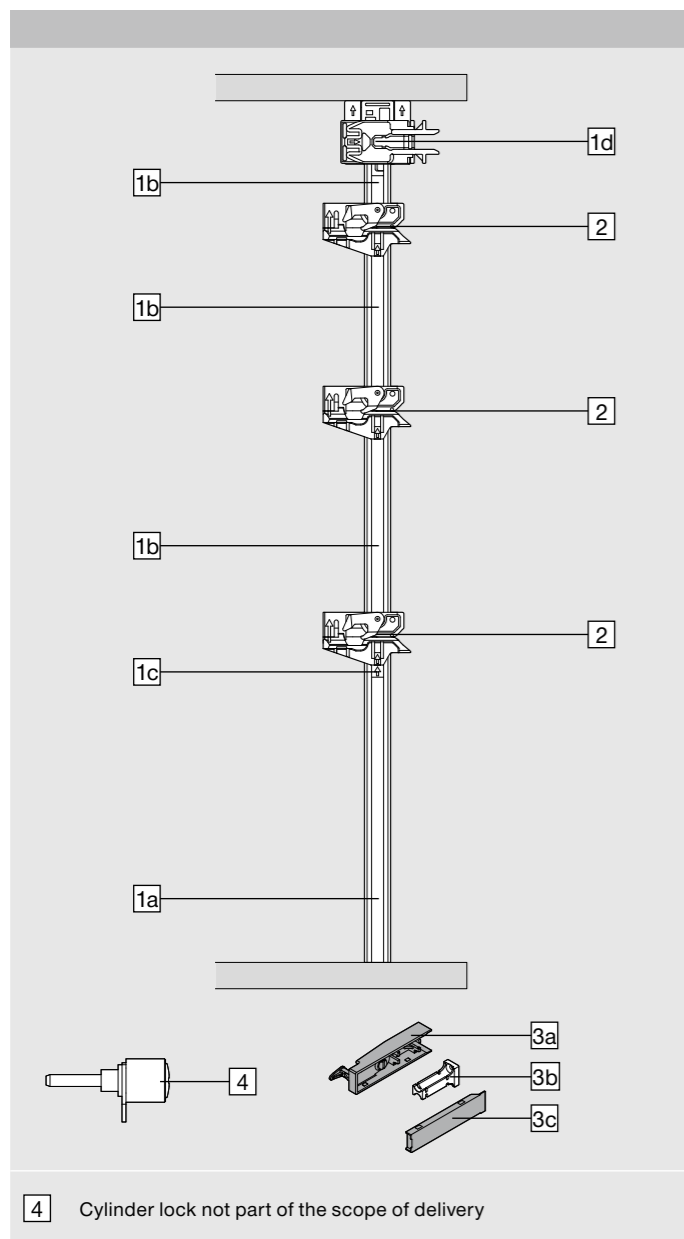
### Cutting to size template

A template helps you to cut locking bars, spacers and synchronisation shafts to precise sizes as well as to drill the positioning hole for the end cap or the drilling pattern for the synchronisation attachment.




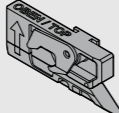
- CABLOXX is a compact and straightforward package that provides an extra layer of security while maintaining a high degree of design freedom
- System-independent solution - can be combined with various box and runner systems
- High flexibility - can be used for various cabinet dimensions
- Up to five pull-outs can be used per locking bar
- Can be combined with all motion technologies
- Unrestricted adjustment

Ordering information



4 Cylinder lock not part of the scope of delivery

Locking bar set, can be cut to size			
<b>1</b>	Locking bar set		
	Cabinet height KH (mm)	Material	
	Up to 800	Steel	Z80S0760
Consisting of:			
1a	1 x	Locking bar	
1b	1 x	Spacer for cutting to size	
1c	1 x	End cap	
1d	1 x	Attachment for cylinder lock	
-	1 x	Drilling template for end cap	
-	1 x	Installation instructions	
Can be combined with all Blum box and runner systems			
<b>Cutting for 1a</b>	Internal cabinet height LH - 2 mm		

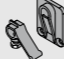
2 Locking units			
	Version	Material	
	Right	Nylon	Z80.000V
	Left	Nylon	Z80.000V

3 Front locking bracket set			
	Colour	Material	
	SW-M   OG-M   TS-M	Nylon/zinc	Z80.000S
Consisting of:			
3a	1 x	Front locking bracket	
3b	1 x	Front piece for front locking bracket	
3c	1 x	Cover cap for front locking bracket	

Ordering information

Colour			
SW-M	Silk white matt	TS-M	Terra black matt
OG-M	Orion grey matt	S	Black

Accessories

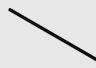
Synchronisation set			
	Colour	Material	
	S	Nylon	Z80V000A

Consisting of:

-	2 x	Attachment for synchronisation	
-	2 x	Synchronisation lever	

Recommended for cabinet widths (KB) of > 600 mm in combination with closing function

When a synchronisation is used, two locking bar sets are necessary

Synchronisation linkage			
	Length (mm)	Material	
	1163	Aluminium	Z80V1163W

For cutting to size

When a synchronisation is used, two locking bar sets are necessary


**Cutting** Internal cabinet width LW - 7 mm


Assembly devices

Cutting-to-size template	
	65.0801

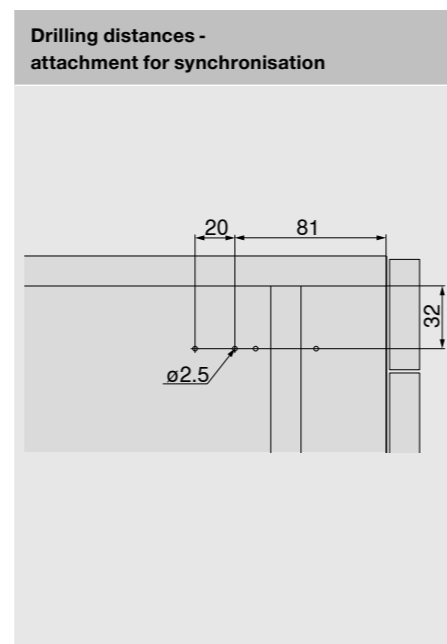
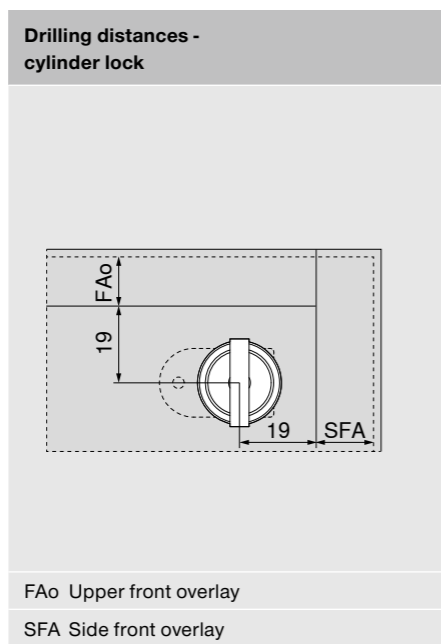
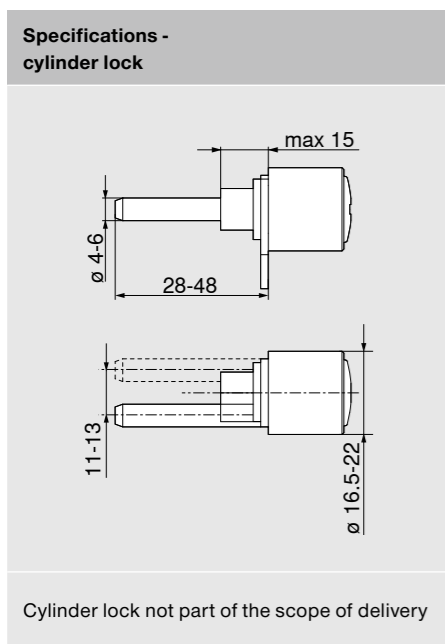
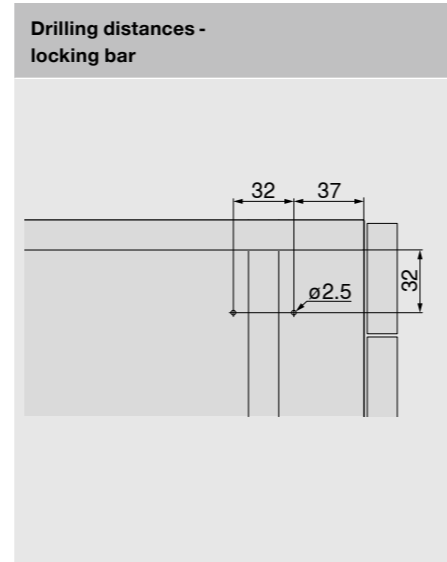
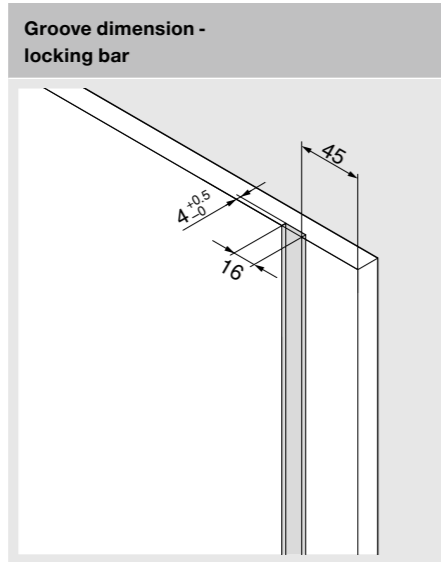
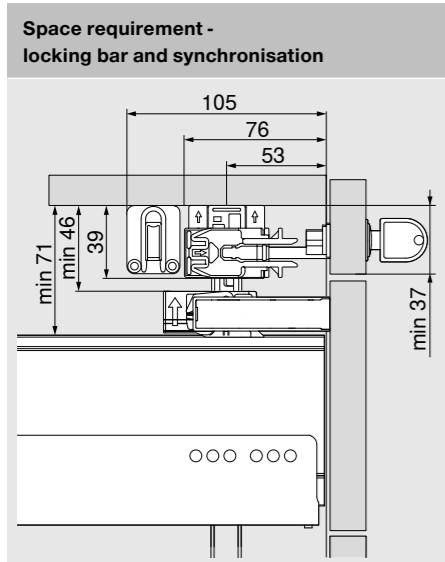
For cutting to size of the locking bar, spacers and synchronisation linkage

For drilling positions of end cap and attachment for synchronisation

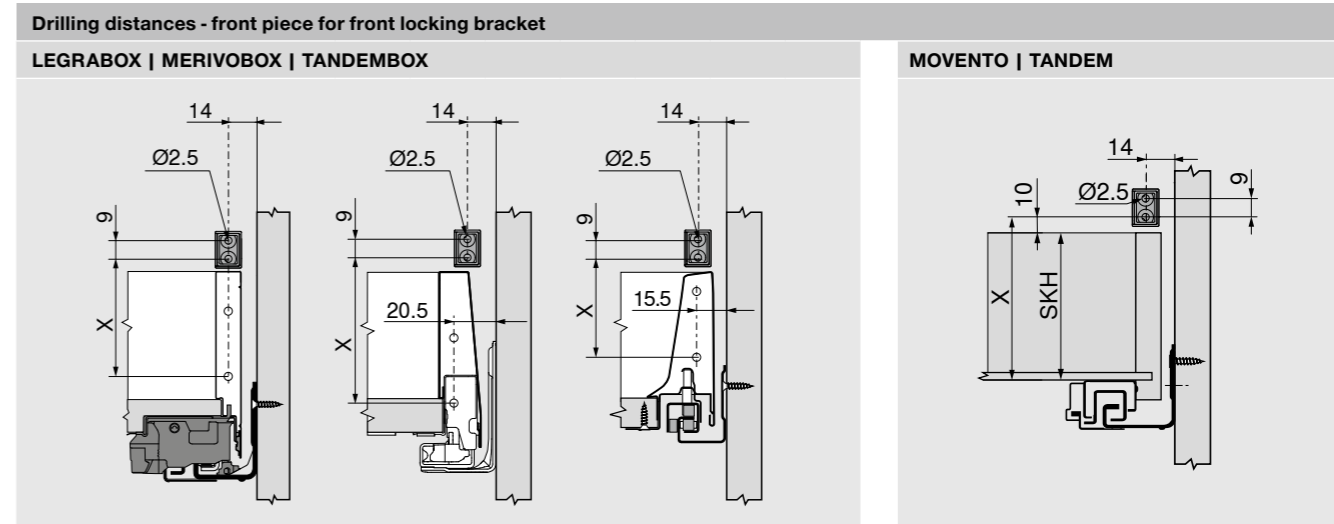
Positioning template for LEGRABOX	
	65.0807

Positioning template for TANDEMBOX	
	65.0803

Planning



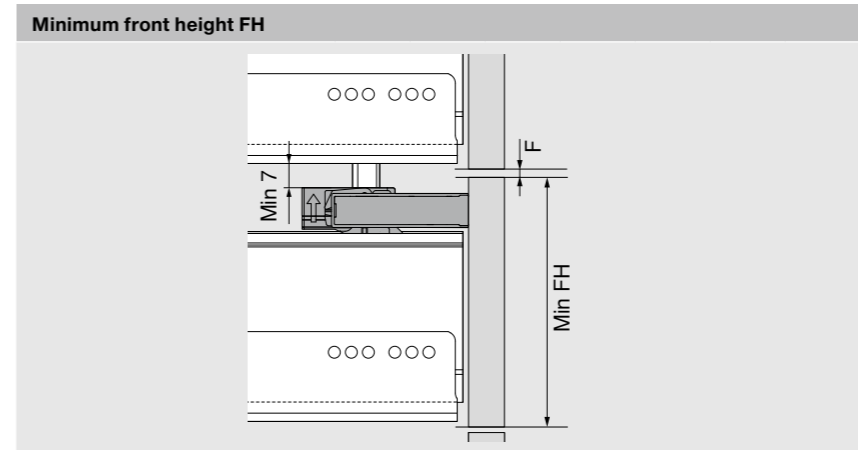
Planning



Box systems	X (mm)						
	Drawer			High fronted pull-out			
	N	M	K	C	D	E	F
LEGRABOX	40	59	97	148 <sup>1</sup>	-	-	212 <sup>1</sup>
MERIVOBOX	57	80	116	-	-	181	-
TANDEMBOX antaro	57	57	-	146	178	-	-

Front piece for front locking bracket to be pre-drilled Ø 2.5 mm  
<sup>1</sup> +4 mm with LEGRABOX with AMBIA-LINE cross gallery

X = SKH + 10 mm  
 SKH Drawer height



Box systems	Minimum front height FH						
	Drawer			High fronted pull-out			
	N	M	K	C	D	E	F
LEGRABOX	107	132	170	221	-	-	285
MERIVOBOX	113	136	173	-	-	236	-
TANDEMBOX antaro	111	126	-	215	247	-	-

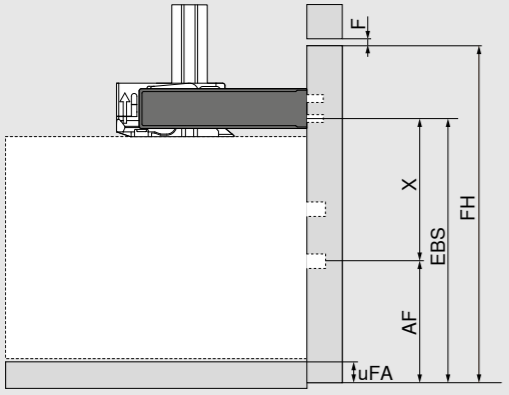
Valid for BLUMOTION runners  
 F Gap = 2 mm



Planning

Spacer calculation

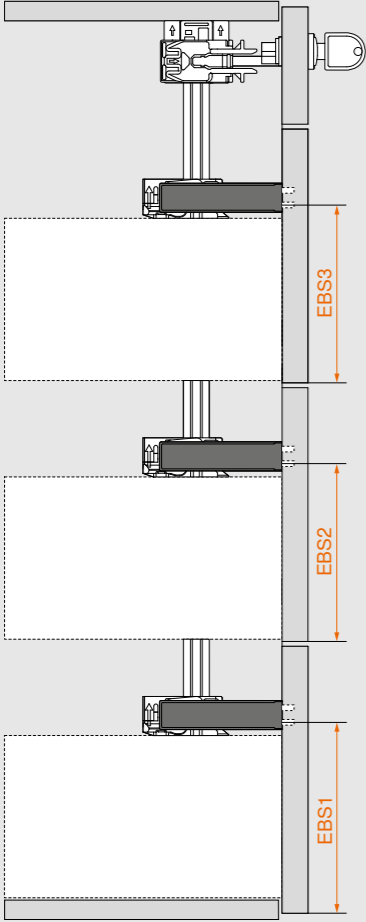
**Acronyms**



Spacer planning and calculation  
www.blum.com/configurator

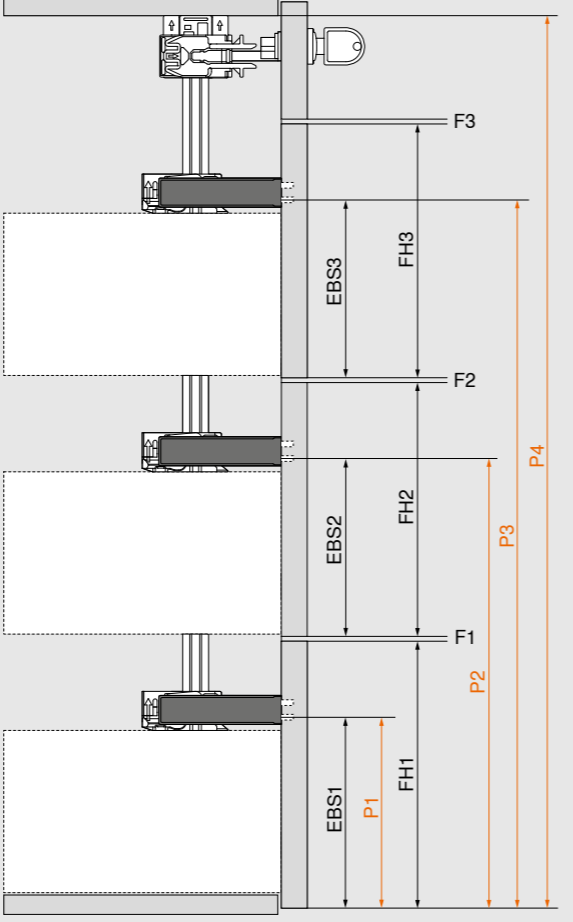
- AF Fixing dimensions for front fixing bracket
- EBS Installation dimensions for front locking bracket
- FH Front height
- F Gap
- uFA Bottom front protrusion
- X Drilling distance for front locking bracket (page 15)

**Step 1**  
Calculate installation dimensions for front locking bracket (EBS)



$EBS = X + AF$

**Step 2**  
Calculate position of front locking bracket (P) in the cabinet

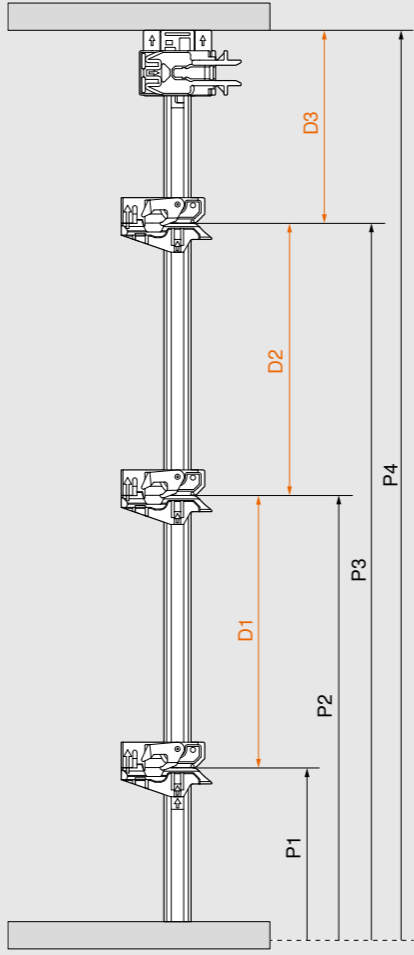


- $P1 = EBS1$
- $P2 = FH1 + F1 + EBS2$
- $P3 = FH1 + F1 + FH2 + F2 + EBS3$
- $P4 = LH + uFA$

Planning

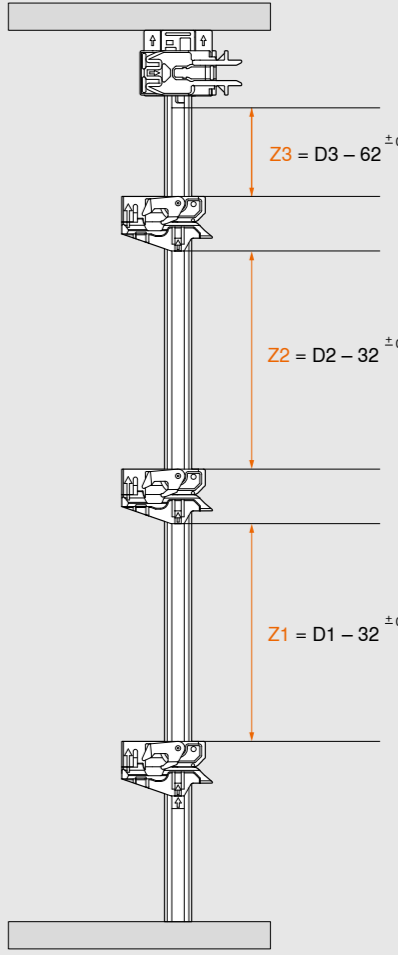
Spacer calculation

**Step 3**  
Calculate spacing (D) between locking units



- $D1 = P2 - P1$
- $D2 = P3 - P2$
- $D3 = P4 - P3$

**Step 4**  
Calculate cutting dimension (Z)

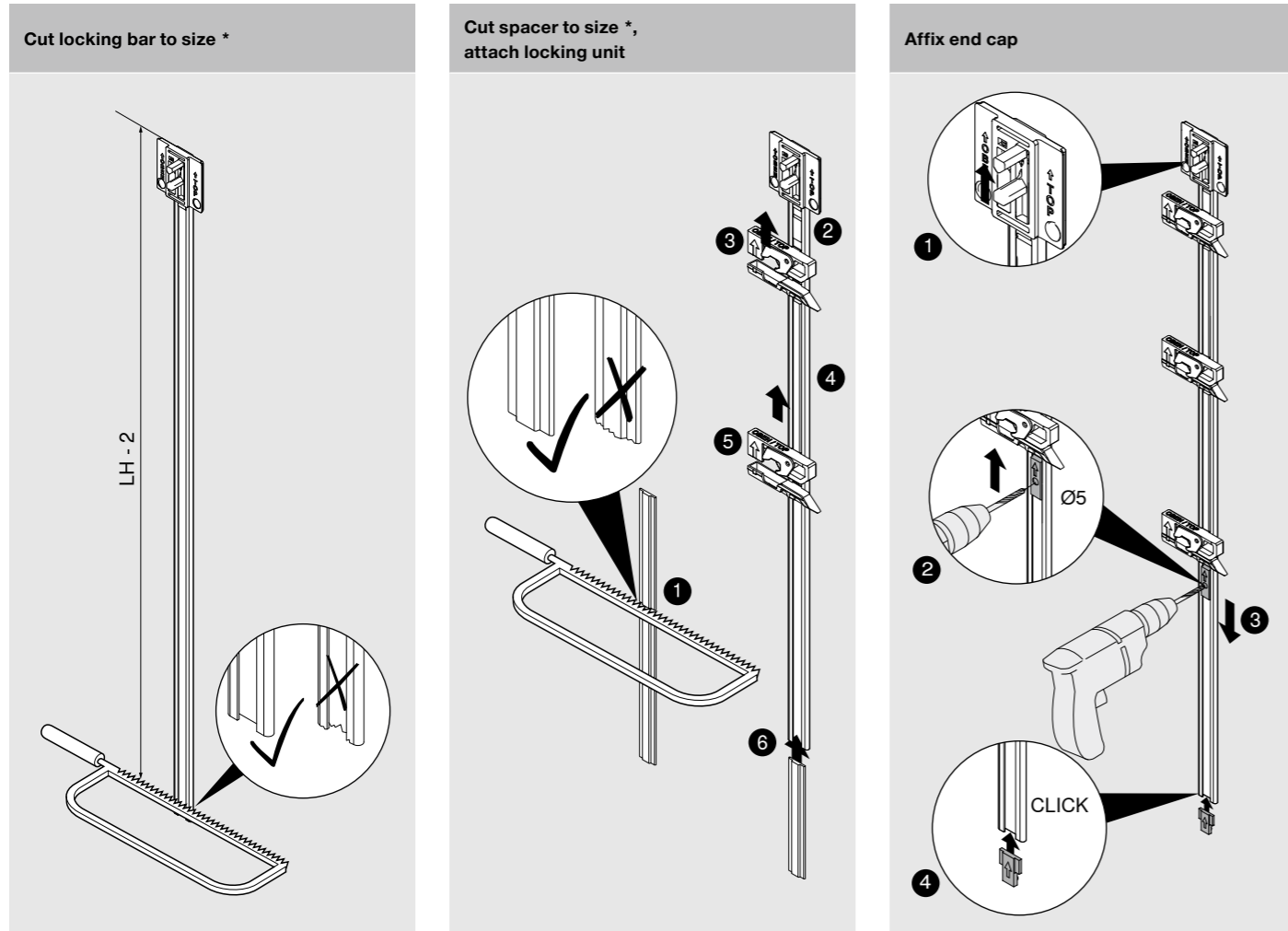


- $Z1 = D1 - 32^{+0.3}$
- $Z2 = D2 - 32^{+0.3}$
- $Z3 = D3 - 62^{+0.3}$

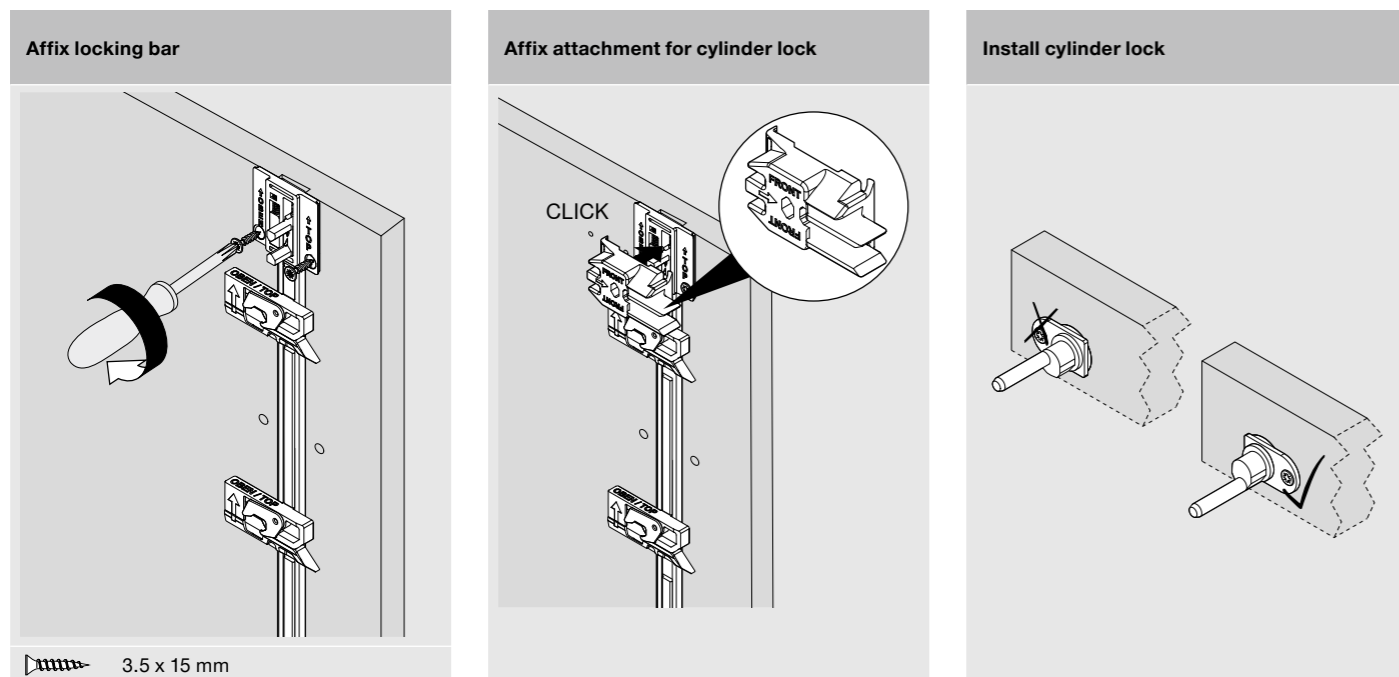
We recommend using the cutting-to-size template 65.0801 for precise sizes (see page 13).

Assembly

Locking bar, locking unit and cylinder lock

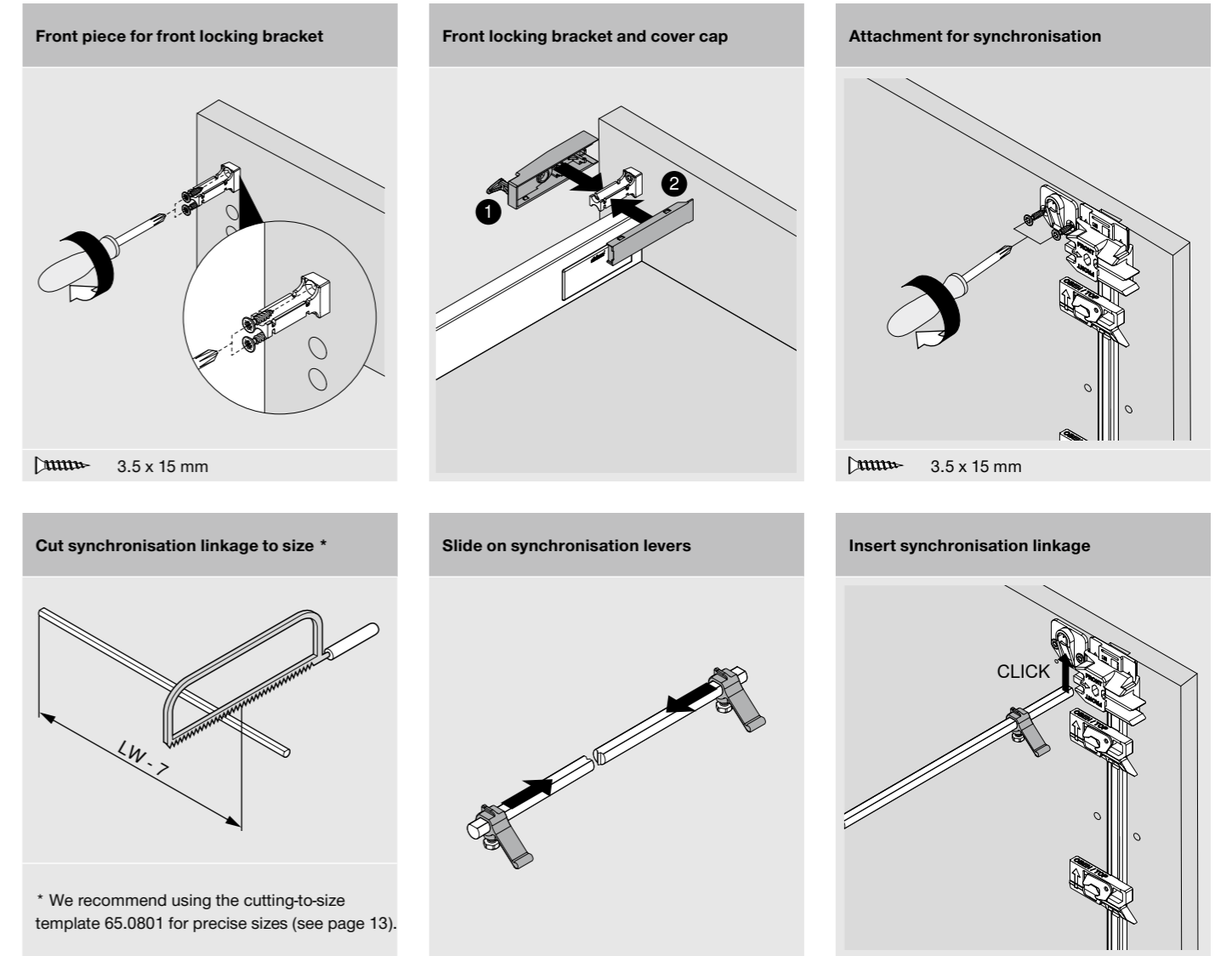


\* We recommend using the cutting-to-size template 65.0801 for precise sizes (see page 13).



Assembly

Front locking bracket and synchronisation



\* We recommend using the cutting-to-size template 65.0801 for precise sizes (see page 13).



# moving ideas

We believe that ideas can move the world. We offer innovative fittings, inspiring furniture concepts and appropriate services so that you can turn your creative ideas into reality. We are driven by your needs, international trends and our shared vision of a better quality of living. Let us work together to create moving ideas.



## Quality of living

We would like you to enjoy greater convenience and functionality when using furniture.



## Product range

Everything from a single source: our wide range of products allows you to keep up with today's and tomorrow's trends.



## Inspiration

We monitor global trends and strive to create the solutions of tomorrow. We like to share our insights with you.



## Innovation

We stay in motion. Curiosity and pioneering spirit drive us to develop new products and services for you.



## Services

We support your daily operations with customised services tailored to your processes.



## Quality

We continuously strive to improve our products, services and ourselves.



## Trust

We take responsibility for partnerships, our employees, society and the environment.

Julius Blum started our journey in 1952 with horseshoe studs. Today we supply innovative fittings to customers in over 120 countries.

 **Houzz** PRO:  
Blum Australia

 **Instagram:**  
@blumaustralia, #blumaustralia

 **Facebook:**  
facebook.com/blumaustralia

 **Android App on Google Play:**  
Easy Assembly App

 **Available on the App Store:**  
Easy Assembly App

 **Tag Us:**  
#blumaustralia

## **Blum Showrooms Sydney (Head Office)**

10 Blackbird Close  
Len Waters Estate NSW 2170  
Ph: 02 9612 5400

## **Adelaide**

179 Railway Terrace  
Mile End SA 5031  
Ph: 08 8118 6070

## **Brisbane**

6/39-45 Compton Road  
Underwood QLD 4119  
Ph: 07 3135 9490

## **Melbourne**

245 Ferntree Gully Road  
Mount Waverley VIC 3149  
Ph: 03 9982 1720

## **Perth**

3/425 Scarborough Beach Road  
Osborne Park WA 6017  
Ph: 08 6467 0110

**Blum Australia Pty Ltd**  
PO BOX 1615  
Green Valley, NSW, 2168  
Australia  
Toll Free: 1800 179 186  
E-mail: info.au@blum.com  
blum.com

