



# CLIP top BLUMOTION

Everything inside

[cliptopblumotion.blum.com](http://cliptopblumotion.blum.com)  
[www.blum.com](http://www.blum.com)

Perfecting motion  **blum**<sup>®</sup>



# CLIP top BLUMOTION is setting new benchmarks

## High-tech for perfect motion

**BLUMOTION**  
inside

With CLIP top BLUMOTION, you have "everything inside:" Because BLUMOTION, our function for silent and effortless closing action, is integrated into the boss.

Get to know the advantages of integrated BLUMOTION and discover the possibilities of the new CLIP top BLUMOTION hinge. Inspire your customers: With perfect motion, for all furniture doors, for the lifetime of the furniture.

## Content

- 3 Integrated BLUMOTION
- 5 Silent and effortless closing action
- 7 BLUMOTION deactivation
- 9 New hinge pivoting point
- 11 Elegant design
- 12 Other advantages
- 14 Case studies
- 16 Assembly devices for CLIP top BLUMOTION
- 18 Ordering and planning information
- 50 Assembly and adjustment
- 52 The Blum brand





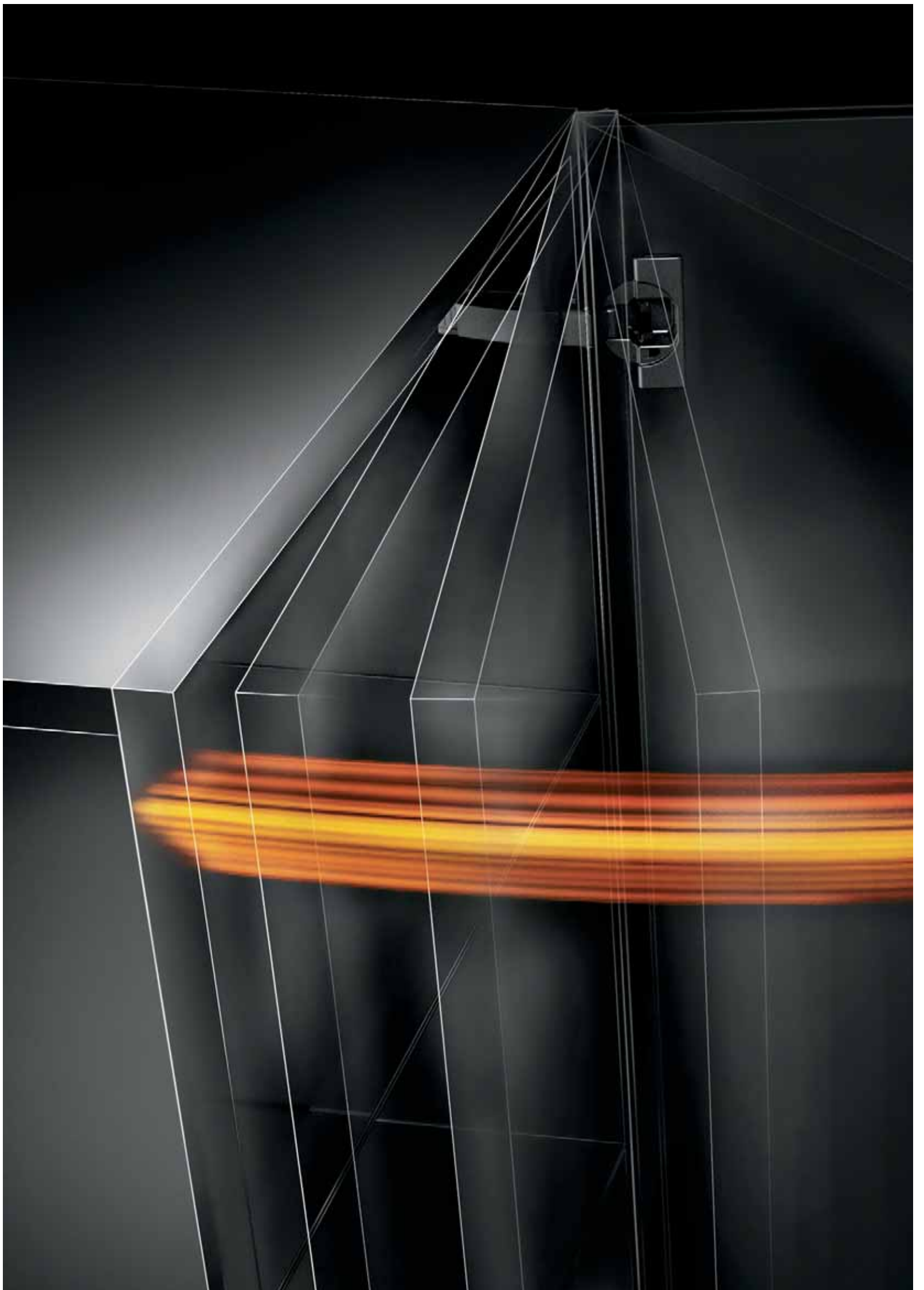
Innovative technology concentrated into the smallest space

## BLUMOTION integrated

into the hinge boss

Precise movement like clockwork – the integrated BLUMOTION is a technical masterpiece that fits into the smallest space providing silent and effortless closing action for furniture doors.

CLIP top BLUMOTION is designed to open and close 200,000 times: for fascinating quality of motion – for the lifetime of the furniture.



# BLUMOTION for silent and effortless closing action

Inspiring perfect motion

for **every** door

Silent and effortless, that's how furniture doors close with BLUMOTION – regardless of the front weight or closing speed.

Due to the ideal relationship between the closing mechanism and BLUMOTION, a gentle push is all that's required for closing – even for small and light doors.





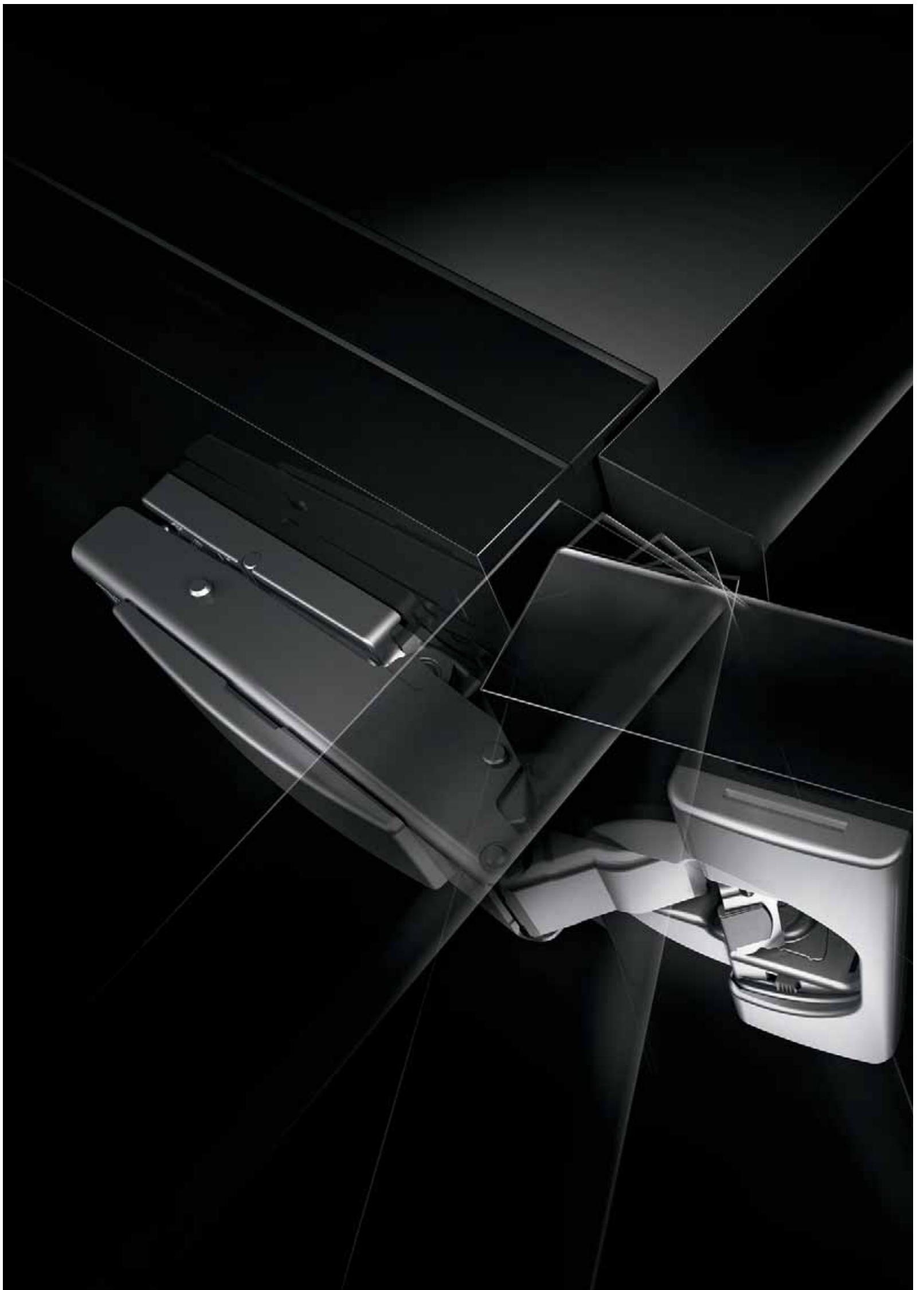


Silent and effortless closing action also for small doors

## BLUMOTION deactivation option

For high quality of motion for small or light doors, the BLUMOTION function on one of the two hinges, can be easily deactivated.

Simply slide the switch on the hinge boss, then close the door once. Deactivation is now complete.



## Space for new opportunities

### New hinge pivoting point for **thicker** doors

With the new 110° hinge, you can now implement thicker doors up to 24 mm – depending on the application. The new pivoting point ensures that during the opening process, the door does not foul on the cabinet face.

As a consequence of this ingenious new geometry, it is possible to achieve a smaller door gap. Thicker doors can also be accommodated.





Elegant design for a high-quality look

## Fascinating **technology** in a stylish body

Despite the sophisticated technology in the hinge boss, CLIP top BLUMOTION is no different in size and visible proportions from other CLIP top hinges.

And the elegant product design also highlights the high-quality character and look of CLIP top BLUMOTION.



## Additional advantages of CLIP top BLUMOTION

### Assembly

made easy



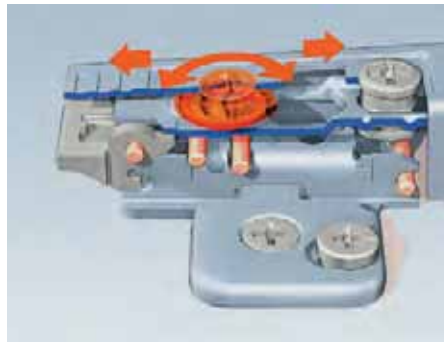
CLIP top BLUMOTION is extremely user friendly.  
This provides many advantages for assembly and adjustment.



#### CLIP

The tried and tested CLIP mechanism stands for simple, tool-free hinge assembly.

- You can continue to use existing mounting plates.
- The drilling pattern for the hinge boss remains unchanged for CLIP top BLUMOTION, a 13 mm drilling depth is sufficient.
- The new INSERTA mechanism enables tool-free fixing of the hinge to the door.



#### CLIP top

Tops when it comes to adjustment: Like other CLIP top hinges, CLIP top BLUMOTION enables easy, 3-dimensional adjustment via an infinitely variable spiral screw depth adjustment and a cam height adjustment for different mounting plates.



#### CLIP top BLUMOTION

Because the BLUMOTION function is now integrated into the hinge, additional assembly processes are no longer necessary after adjustment is complete.

## CLIP top BLUMOTION for more options



More choices when it comes to door thickness, by virtue of the new pivot points

## Technology for different areas of application



For perfect motion for small doors, BLUMOTION only has to be activated on one hinge.



Gaining storage space: With the optimised 155° zero protrusion hinge.



Whether it's wood, wide or narrow alu frames – you have many options when it comes to materials.



CLIP top BLUMOTION can be used with almost any application, e.g. with an angled door.

Everything for that familiar, precise assembly

## Updates to your existing assembly devices



All assembly devices and templates are available at [www.blum.com](http://www.blum.com).



Our machines and templates make CLIP top BLUMOTION assembly easy.  
 You can continue to use existing assembly devices from Blum. There are either no or only minimal adjustments required.

New machines & templates now contain all new settings and additional parts.

The following gives you an overview of which drilling and insertion machines as well as template settings need to be changed and whether or not additional parts are required.

### Overview of new items

	Drilling depth stop	Set drilling depth	Insertion ram	Drill bit (Ø 35/Ø 8) without tip	Other
	<b>required</b>	<b>required</b>	<b>Required if hinges are inserted</b>	<b>Required for material thicknesses &lt; 16 mm</b>	
<b>Drilling and insertion machines</b>					
PRO-CENTER/MINIPRESS PRO	<b>MZK.2005<sup>1)</sup></b>	at 13 mm	<b>MZM.0040</b>	<b>M01.ZB35.OS</b> <b>M01.ZB08.OS</b>	
MINIPRESS P/MINIPRESS M	<b>M30.1304.01</b> <b>M52.0909</b>	at 13 mm	<b>MZM.0040</b>	<b>M01.ZB35.OS</b> <b>M01.ZB08.OS</b>	
Additional drilling head (MZK.9900)	<b>MZK.9905</b>				
<b>Templates and assembly devices</b>					
ECODRILL		at 13 mm			<b>M31.1041.UM<sup>2)</sup></b>
<b>Assembly devices</b>					
Universal hand insertion tool for hinges					<b>ZME.0710</b>

<sup>1)</sup> Only in combination with drilling head MZK.2000    <sup>2)</sup> Only for INSERTA boss fixing



Do not use a hammer to insert the hinge into the drill hole.  
 CLIP top BLUMOTION hinges should be operated in a temperature range of 18 °C and 28 °C to ensure optimal functionality.



# CLIP top BLUMOTION 110° hinge

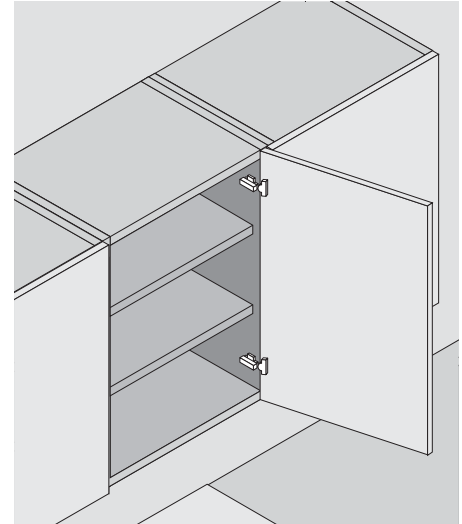
## Product



## Description

- All metal hinge, nickel plated
- 110° opening angle
- With integrated **BLUMOTION**
- With **BLUMOTION** deactivation facility
- with convenient spiral-tech depth adjustment
- Compatible with existing mounting plates
- With closing mechanism (spring)
- Tool-free door to cabinet assembly and removal
- 3-dimensional adjustment (with relevant mounting plate)
- With **INSERTA** tool-free boss assembly

## Application



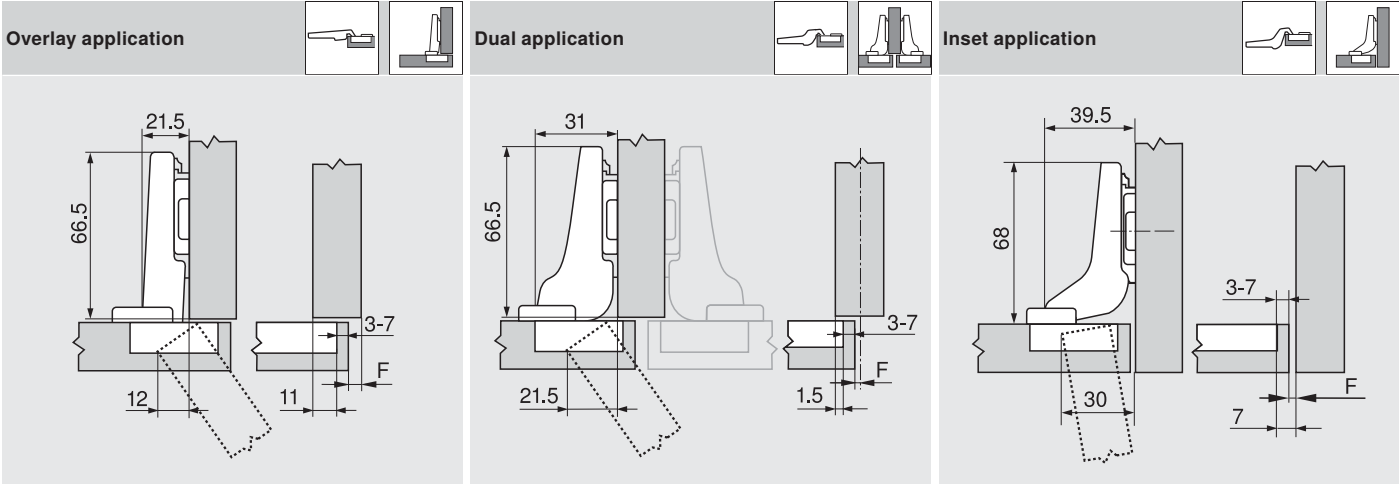
## Order specification

Overlay application		Dual application		Inset application	
	Boss <b>INSERTA</b>		Boss <b>INSERTA</b>		Boss <b>INSERTA</b>
Steel boss with spring	Part No. <b>71B3590</b>	Steel boss with spring	Part No. <b>71B3690</b>	Steel boss with spring	Part No. <b>71B3790</b>
	Boss <b>Screw-on</b>		Boss <b>Screw-on</b>		Boss <b>Screw-on</b>
Steel boss with spring	<b>71B3550</b>	Steel boss with spring	<b>71B3650</b>	Steel boss with spring	<b>71B3750</b>
	Boss <b>Knock-in</b>		Boss <b>Knock-in</b>		Boss <b>Knock-in</b>
Steel boss with spring	<b>40</b> <b>MZM.0040</b>	Steel boss with spring	<b>40</b> <b>MZM.0040</b>	Steel boss with spring	<b>40</b> <b>MZM.0040</b>
Steel boss with spring	<b>71B3580</b>	Steel boss with spring	<b>71B3680</b>	Steel boss with spring	<b>71B3780</b>
<b>Cover caps</b>		<b>Boss cover cap for screw-on/knock-in boss</b>		<b>Opening angle stop 86°</b>	
Steel	Nickel plated	Steel	Nickel plated	Nylon	
Plain	<b>70.1503</b>		<b>70T3504</b>		<b>70T3553</b>
Stamped	Blum <b>70.1503.BP</b>				

# Planning

Hinge dimensions and gap calculation based on factory setting (mounting plate spacing = 0 mm)

Hinge and door protrusion at full opening angle



F Gap

Set mounting plate fixing position back by door thickness + 1.5 mm

## Drilling distance

Front overlay																	Front overlay															Front overlay					
5	6	7	8	9	10	11	12	13	14	15	16	17	18	4.5	3.5	2.5	1.5	0.5	0.5	1.5	2.5	3.5	4.5	5.5	6.5	7.5	8.5	-4	-3	-2	-1	0					
0														3	4	5	6	7										3	4	5	6	7					
3							3	4	5	6	7			3	4	5	6	7																			
6			3	4	5	6	7							3	4	5	6	7																			
9	3	4	5	6	7									3	4	5	6	7																			
↖ Mounting plate																	↖ Mounting plate															↖ Mounting plate					

## Minimum gap for doors with radiuses edges (R = 1 mm) based on factory setting

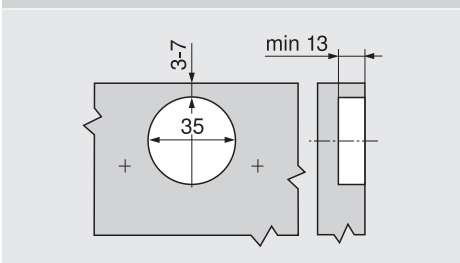
	Door thickness												A trial application is recommended		
	16	18	19	20	21	22	23	24	25	26	28	30		32	
3	0.5	0.8	1.0	1.2	1.5	1.8	2.2	2.7	3.5	4.3					
4	0.5	0.8	1.0	1.2	1.4	1.7	2.0	2.5	3.1	3.8					
5	0.5	0.8	0.9	1.2	1.4	1.7	2.0	2.4	2.9	3.4					
6	0.5	0.8	0.9	1.2	1.3	1.6	1.9	2.3	2.7	3.2					
7	0.5	0.8	0.9	1.1	1.3	1.6	1.9	2.2	2.6	3.0					
Additional for + 2 mm side adjustment															
+0.2+0.4+0.4+0.5+0.5+0.5+0.5+0.5+0.5+0.5+0.5															

## Adjustments

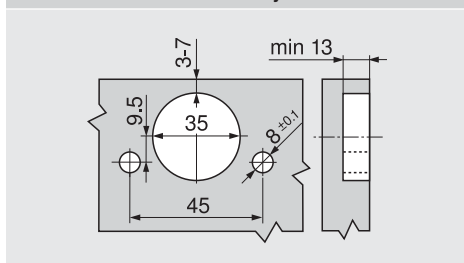
+	-	+/-
max. ± 3.0 mm	± 2.0 mm	+ 3.0 mm - 2.0 mm

See mounting plates

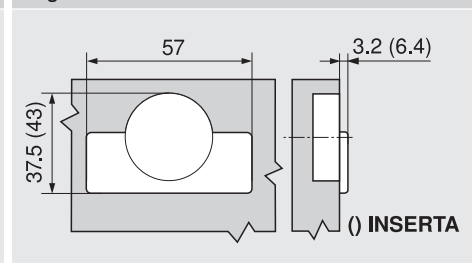
## Screw-on



## INSERTA / knock-in assembly



## Hinge boss dimensions



# CLIP top 155° zero protrusion hinge

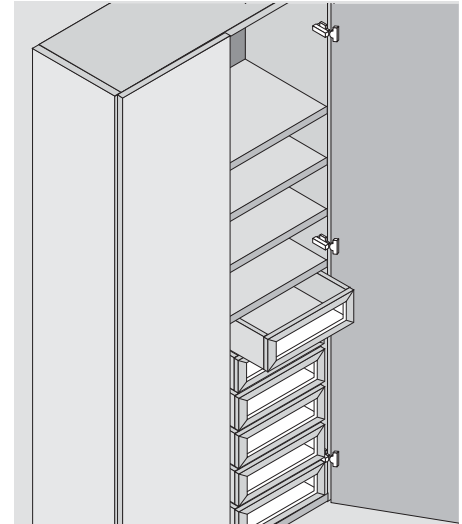
## Product



## Description

- All metal hinge, nickel plated
- 155° opening angle
- For cabinets with inner drawers or pull-outs
- with convenient spiral-tech depth adjustment
- Compatible with existing mounting plates
- With or without closing mechanism (spring)
- Tool-free door to cabinet assembly and removal
- 3-dimensional adjustment (with relevant mounting plate)
- With **INSERTA** tool-free boss assembly

## Application



## Order specification

Overlay application 0-protrusion hinge			
	Boss <b>INSERTA</b>		Part No.
Zinc boss with spring			<b>71T7540N</b>
Zinc boss unsprung			<b>70T7540NTL</b>

Dual application			
	Boss <b>INSERTA</b>		Part No.
Zinc boss with spring			<b>71T7640N</b>

Inset application			
Use hinges for a dual application and a 9 mm spaced mounting plate			

Screw-on			
	Boss <b>Screw-on</b>		
Zinc boss with spring			<b>71T7500N</b>
Zinc boss unsprung			<b>70T7500NTL</b>

Screw-on			
	Boss <b>Screw-on</b>		
Zinc boss with spring			<b>71T7600N</b>

Knock-in				
	Boss <b>Knock-in</b>		<b>40</b>	<b>MZM.0040</b>
Zinc boss with spring				<b>71T7530N</b>

BLUMOTION 973A			
			<b>973A7000</b>

BLUMOTION 973A			
			<b>973A7000</b>

Opening angle stop 110°			
Nylon			<b>70T7503N</b>





# CLIP top BLUMOTION Profile door hinge

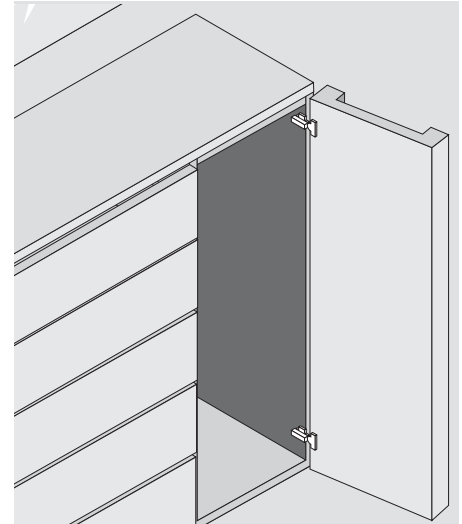
## Product



## Description

- All metal hinge, nickel plated
- Hinge for thick doors and doors with profile
- 95° opening angle
- With integrated **BLUMOTION**
- With **BLUMOTION** deactivation facility
- with convenient spiral-tech depth adjustment
- Compatible with existing mounting plates
- With closing mechanism (spring)
- Tool-free door to cabinet assembly and removal
- 3-dimensional adjustment (with relevant mounting plate)
- With **INSERTA** tool-free boss assembly

## Application



## Order specification

Overlay application		Dual application		Inset application	
	Boss <b>INSERTA</b>		Boss <b>INSERTA</b>		Boss <b>INSERTA</b>
Steel boss with spring	Part No. <b>71B9590</b>	Steel boss with spring	Part No. <b>71B9690</b>	Steel boss with spring	Part No. <b>71B9790</b>
	Boss <b>Screw-on</b>		Boss <b>Screw-on</b>		Boss <b>Screw-on</b>
Steel boss with spring	Part No. <b>71B9550</b>	Steel boss with spring	Part No. <b>71B9650</b>	Steel boss with spring	Part No. <b>71B9750</b>

Cover caps		
	Steel	Nickel plated
Plain		<b>70.1563</b>
Screen print	Blum	<b>70.1563.BL</b>

Boss cover cap for screw-on/knock-in boss		
	Steel	Nickel plated
		<b>70T3504</b>



# CLIP top BLUMOTION Aluminium frame door hinge

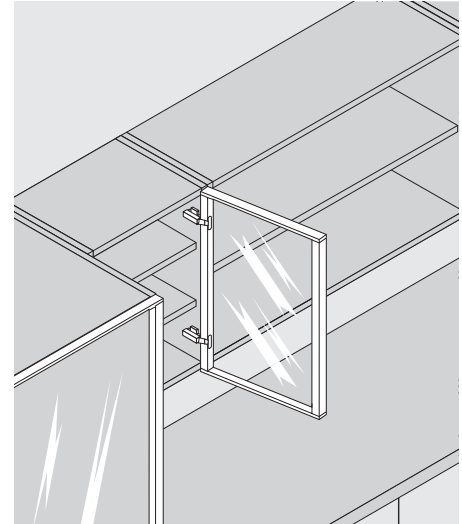
## Product



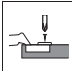
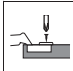
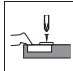
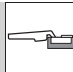
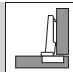
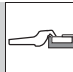
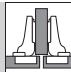
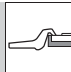
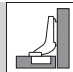
## Description


- All metal hinge, nickel plated
- Hinge for narrow alu frame doors
- 95° opening angle
- With integrated **BLUMOTION**
- With **BLUMOTION** deactivation facility
- with convenient spiral-tech depth adjustment
- Compatible with existing mounting plates
- With closing mechanism (spring)
- Tool-free door to cabinet assembly and removal
- 3-dimensional adjustment (with relevant mounting plate)
- Boss fixing screws are included

## Application



## Order specification

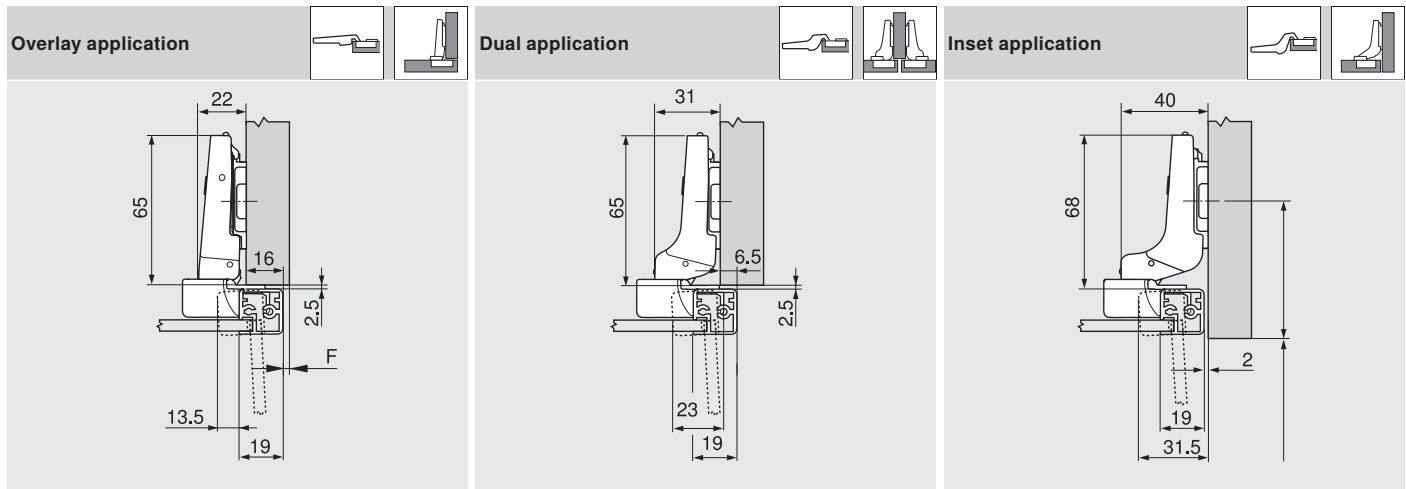
Overlay application	Dual application	Inset application
 Boss <b>Screw-on</b>	 Boss <b>Screw-on</b>	 Boss <b>Screw-on</b>
 	 	 
Zinc boss with spring	Zinc boss with spring	Zinc boss with spring
Part No. <b>71B950A</b>	Part No. <b>71B960A</b>	Part No. <b>71B970A</b>

Cover caps		
	Steel	Nickel plated
Plain		<b>70.1563</b>
Screen print	Blum	<b>70.1563.BL</b>

## Planning

Hinge dimensions and gap calculation based on factory setting (mounting plate spacing = 0 mm)

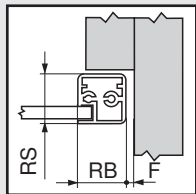
Hinge and door protrusion at full opening angle



F Gap

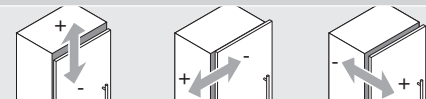
Set mounting plate fixing position back by door thickness + 2.5 mm

### Minimum gap for doors with radiuses edges (R = 1 mm) based on factory setting



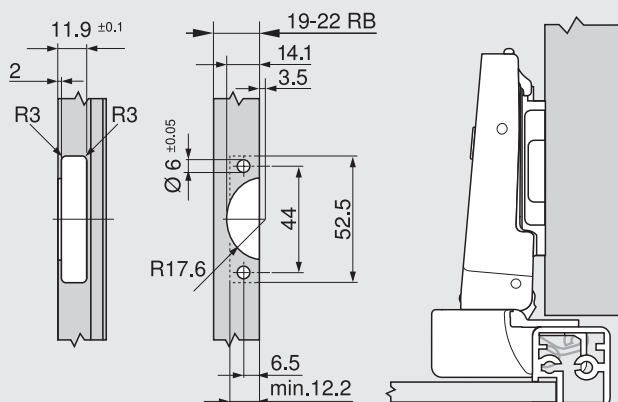
RB Frame width	RS Frame thickness									
	18	19	20	21	22	24	26	28	30	32
18	0.2	0.3	0.4	0.6	0.7	1.2	A trial application is recommended			
19	0.2	0.3	0.4	0.6	0.7	1.2				
20	0.2	0.3	0.4	0.5	0.7	1.1				
21	0.2	0.3	0.4	0.5	0.7	1.0				
22	0.2	0.3	0.4	0.5	0.7	1.1				
Additional for + 2 mm side adjustment										
	+0.1	+0.1	+0.2	+0.2	+0.3	+0.3				

### Adjustments



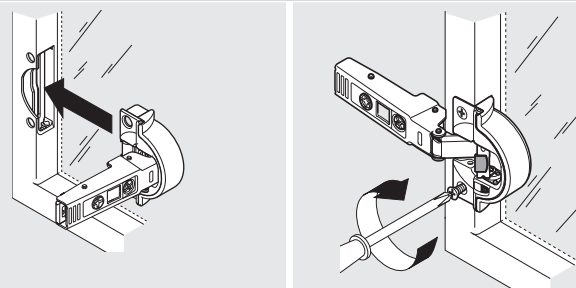
max. ± 3.0 mm      ± 2.0 mm      + 3.0 mm  
See mounting plates      - 2.0 mm

### Screw-on



RB Frame width

### Assembly



# CLIP top BLUMOTION

## Blind corner hinge inset application

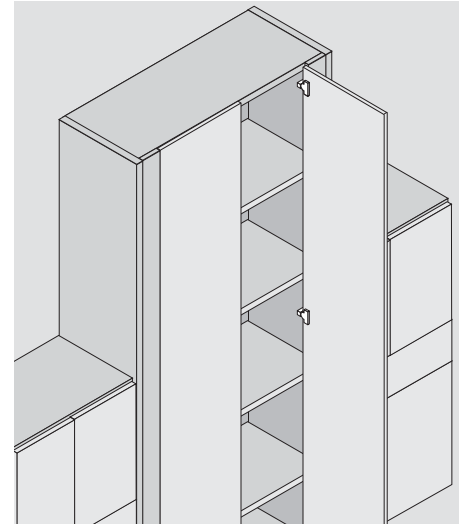
### Product





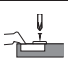
### Description


- All metal hinge, nickel plated
- Hinge for blind corner applications
- 95° opening angle
- With integrated **BLUMOTION**
- With **BLUMOTION** deactivation facility
- with convenient spiral-tech depth adjustment
- Compatible with existing mounting plates
- With closing mechanism (spring)
- Tool-free door to cabinet assembly and removal
- 3-dimensional adjustment (with relevant mounting plate)
- With **INSERTA** tool-free boss assembly

### Application



### Order specification

Inset		
	<b>Boss</b> <b>INSERTA</b>	Part No.
Steel boss with spring		<b>79B9590</b>
	<b>Boss</b> <b>Screw-on</b>	
Steel boss with spring		<b>79B9550</b>

Cover caps		
	Steel	Nickel plated
Plain		<b>70.1503</b>
Stamped	Blum	<b>70.1503.BP</b>

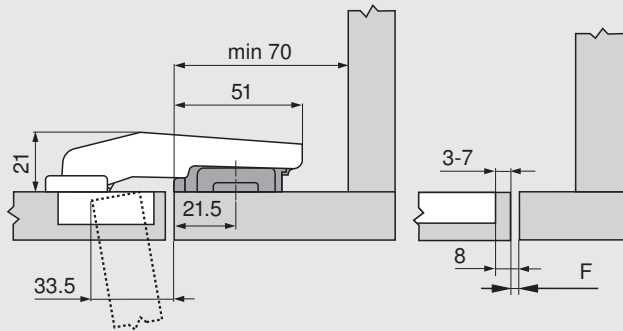
Boss cover cap for screw-on/knock-in boss		
	Steel	Nickel plated
		<b>70T3504</b>

# Planning

Hinge dimensions and gap calculation based on factory setting (mounting plate spacing = 3 mm)

Hinge and door protrusion at full opening angle

## Inset



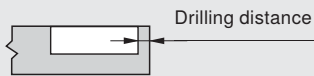
Move standard mounting plate fixing positions 15.5 mm nearer the edge of the blind corner (i.e. set back by 21.5 mm).

Use 3 mm spaced standard mounting plates only to ensure door and blind corner are flush on the inside.

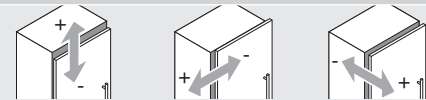
F Gap

## Minimum gap for doors with radiuses edges (R = 1 mm) based on factory setting

	Door thickness											
	16	18	19	20	22	24	26	28	29	30	31	32
3	0.2	0.3	0.4	0.5	0.8	1	1.5	1.9	A trial application is recommended			
4	0.2	0.3	0.4	0.5	0.7	1	1.4	1.8				
5	0.2	0.3	0.4	0.5	0.7	1	1.4	1.8				
6	0.2	0.3	0.4	0.5	0.7	1	1.4	1.8				
7	0.2	0.3	0.4	0.5	0.7	0.9	1.4	1.7				



## Adjustments



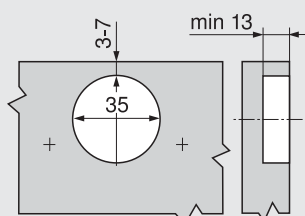
max. ± 3.0 mm

± 2.5 mm

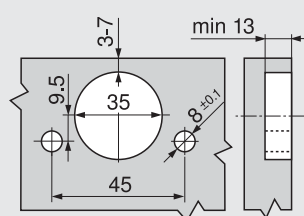
± 1.0 mm

See mounting plates

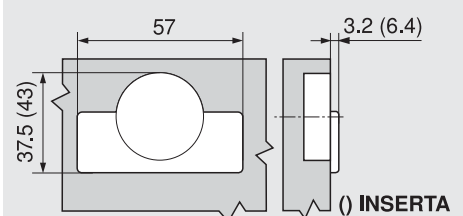
## Screw-on



## INSERTA / knock-in assembly



## Hinge boss dimensions





# CLIP top BLUMOTION +45° I – angled hinge half overlay

## Product



## Description

- All metal hinge, nickel plated
- 45° I angled hinge
- For corner cabinets with set back fronts
- 95° opening angle
- With integrated **BLUMOTION**
- With **BLUMOTION** deactivation facility
- with convenient spiral-tech depth adjustment
- Compatible with existing mounting plates
- With closing mechanism (spring)
- Tool-free door to cabinet assembly and removal
- 3-dimensional adjustment (with relevant mounting plate)
- With **INSERTA** tool-free boss assembly

## Application

	40°	45°	50°
	Nº 23	Nº 24	Nº 25
	33	35	33
	-	Nº 53	Nº 54
	-	33	33
	Nº 8	Nº 9	Nº 10
	37	35	35
	Nº 43	Nº 44	Nº 45
	37	37	37
	-	Nº 60	Nº 61
	-	33	33

## Order specification

	Boss	Part No.
	<b>INSERTA</b>	
Steel boss with spring		<b>79B9698</b>

	Boss cover cap for screw-on boss	
Steel	Nickel plated	<b>70T3504</b>

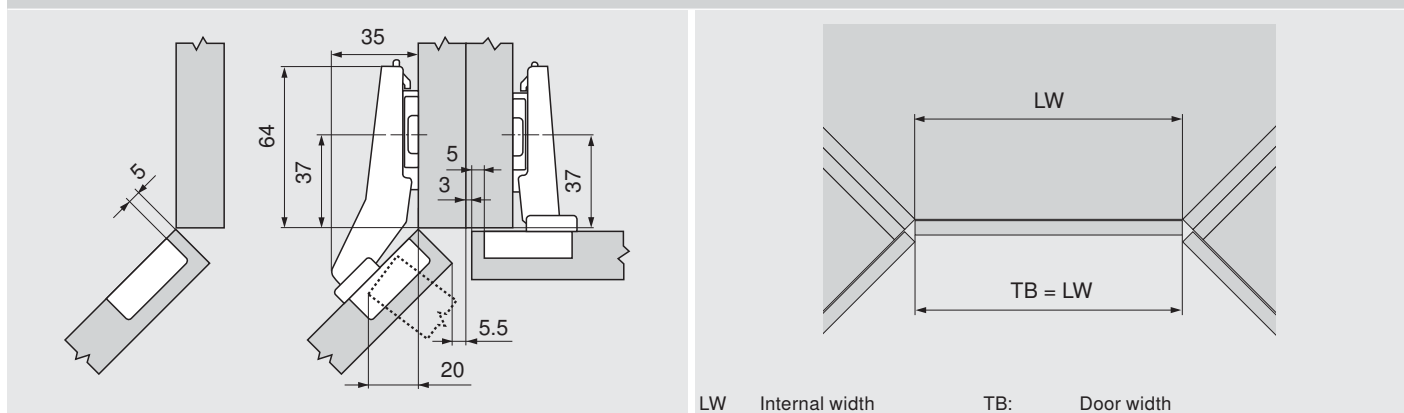
	Boss	
	<b>Screw-on</b>	
Steel boss with spring		<b>79B9658</b>

## Planning

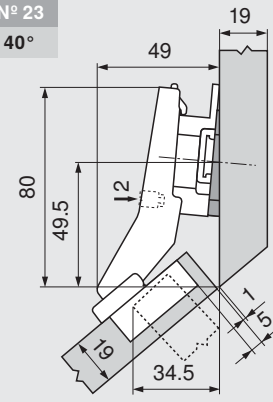
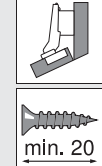
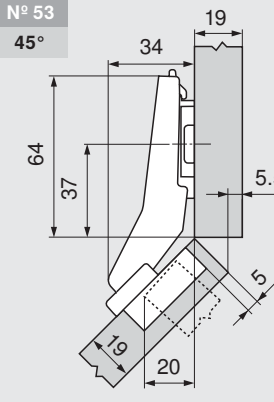
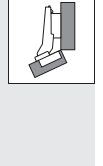
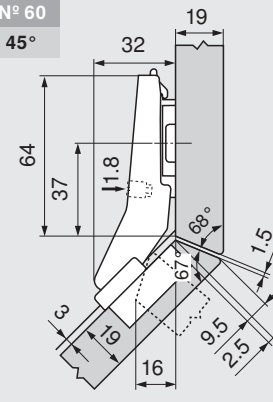
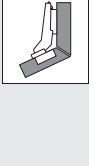
### Important:

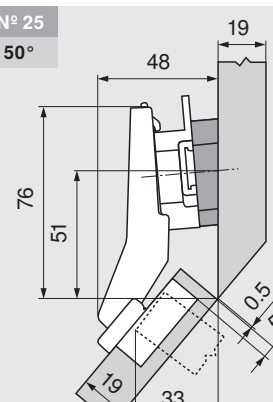
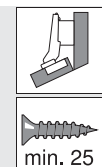
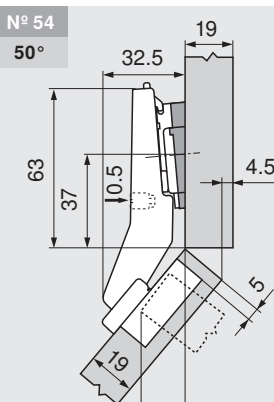
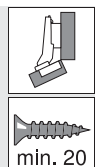
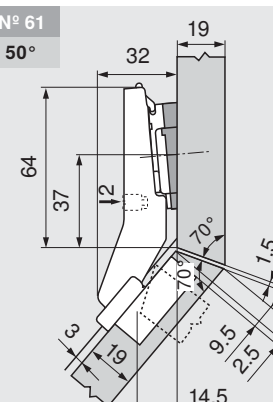
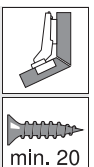
These dimensions are based on a 19 mm door and cabinet side thickness. Dimensions would need to be altered if either thickness varied from 19 mm. A trial application is recommended. Some applications require the mounting plate to be moved from the standard fixing positions.

### Corner cabinet

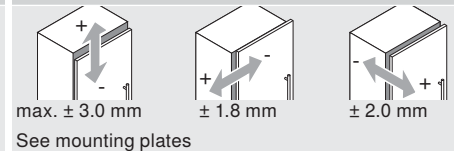


## Planning

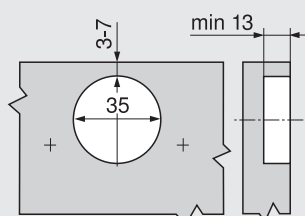
<b>N° 23</b> <b>40°</b>  		<b>N° 53</b> <b>45°</b>  		<b>N° 60</b> <b>45°</b>  	
	Part No.		Part No.		Part No.
Angled spacer	-5°	<b>171A5500</b>	Mounting plate	0 mm	<b>173H7100</b>
Mounting plate	9 mm	<b>175H7190</b>			

<b>N° 25</b> <b>50°</b>  		<b>N° 54</b> <b>50°</b>  		<b>N° 61</b> <b>50°</b>  	
	Part No.		Part No.		Part No.
Angled spacer	+5°	<b>171A5070</b>	Angled spacer	+5°	<b>171A5010</b>
Mounting plate	9 mm	<b>175H7190</b>	Mounting plate	0 mm	<b>173H7100</b>
			Mounting plate	0 mm	<b>173H7100</b>

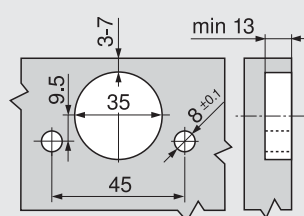
### Adjustments



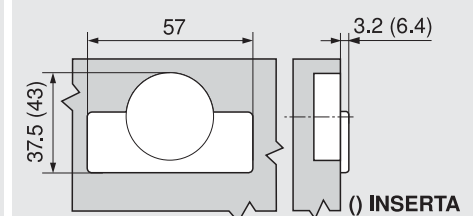
### Screw-on



### INSERTA / knock-in assembly



### Hinge boss dimensions



# CLIP top BLUMOTION +45° II – angled hinge overlay

## Product



## Description

- All metal hinge, nickel plated
- +45° II angled hinge
- 110° opening angle
- For corner cabinets with flush fronts
- With integrated **BLUMOTION**
- With **BLUMOTION** deactivation facility
- with convenient spiral-tech depth adjustment
- Compatible with existing mounting plates
- With closing mechanism (spring)
- Tool-free door to cabinet assembly and removal
- 3-dimensional adjustment (with relevant mounting plate)
- With **INSERTA** tool-free boss assembly

## Application

	40°	45°	50°
	Nº 23	Nº 24	Nº 25
	33	35	33
	-	Nº 53	Nº 54
	-	33	33
	Nº 8	Nº 9	Nº 10
	37	35	35
	Nº 43	Nº 44	Nº 45
	37	37	37
	-	Nº 60	Nº 61
	-	33	33

## Order specification

	Boss	Part No.
	<b>INSERTA</b>	
Steel boss with spring		<b>79B3598</b>

	Boss cover cap for screw-on boss	
Steel	Nickel plated	<b>70T3504</b>

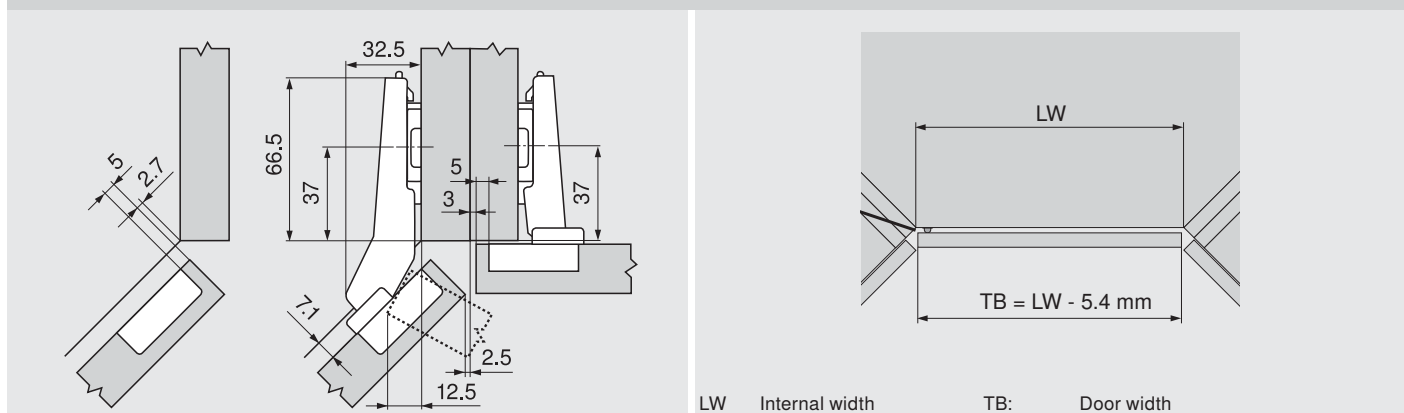
	Boss	
	<b>Screw-on</b>	
Steel boss with spring		<b>79B3558</b>

## Planning

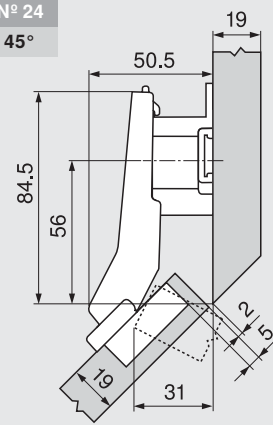
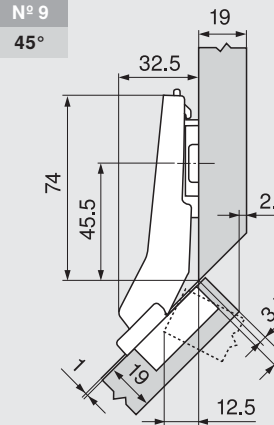
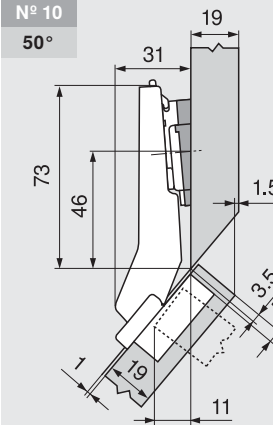
### Important:

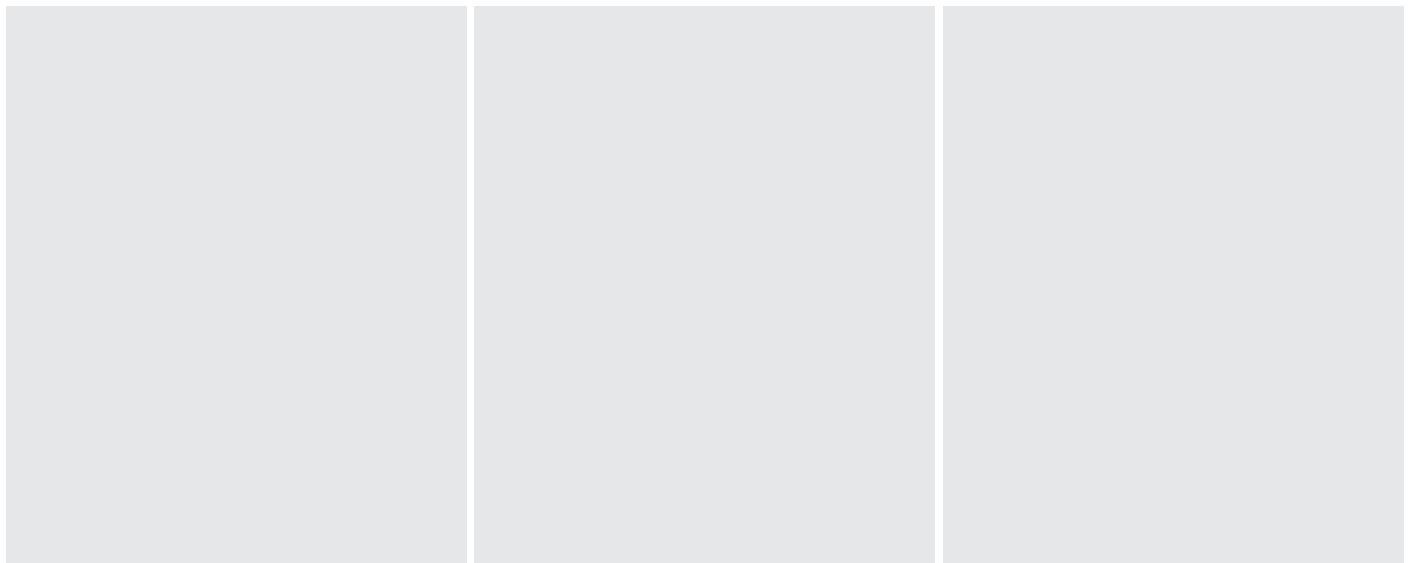
These dimensions are based on a 19 mm door and cabinet side thickness. Dimensions would need to be altered if either thickness varied from 19 mm. A trial application is recommended. Some applications require the mounting plate to be moved from the standard fixing positions.

### Corner cabinet

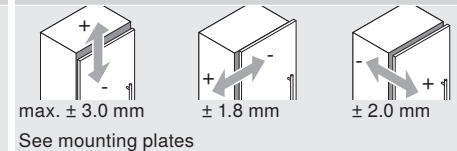


## Planning

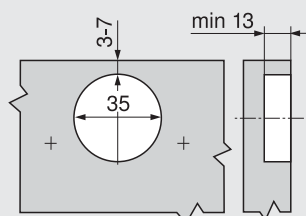
<b>N° 24</b> <b>45°</b> 		<b>N° 9</b> <b>45°</b> 		<b>N° 10</b> <b>50°</b> 	
Part No.		Part No.		Part No.	
Mounting plate	18 mm	175H7190.22	Mounting plate	0 mm	173H7100
			Angled spacer	+5°	171A5010
			Mounting plate	0 mm	173H7100



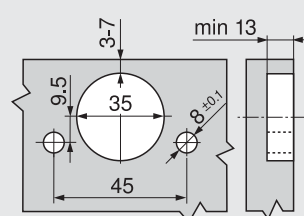
### Adjustments



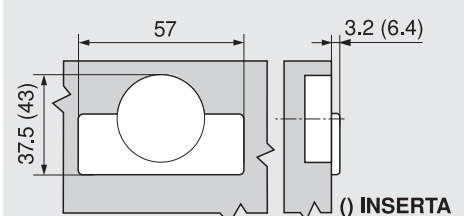
### Screw-on



### INSERTA assembly



### Hinge boss dimensions



# CLIP top BLUMOTION +45° III – angled hinge full overlay

## Product



## Description

- All metal hinge, nickel plated
- +45° III angled hinge
- 95° opening angle
- With integrated **BLUMOTION**
- With **BLUMOTION** deactivation facility
- with convenient spiral-tech depth adjustment
- Compatible with existing mounting plates
- With closing mechanism (spring)
- Tool-free door to cabinet assembly and removal
- 3-dimensional adjustment (with relevant mounting plate)
- With **INSERTA** tool-free boss assembly

## Application

	40°	45°	50°
	Nº 23 33	Nº 24 35	Nº 25 33
	-	Nº 53 33	Nº 54 33
	Nº 8 37	Nº 9 35	Nº 10 35
	Nº 43 37	Nº 44 37	Nº 45 37
	-	Nº 60 33	Nº 61 33

## Order specification

	Boss <b>INSERTA</b>	Part No.
Steel boss with spring		<b>79B9498</b>

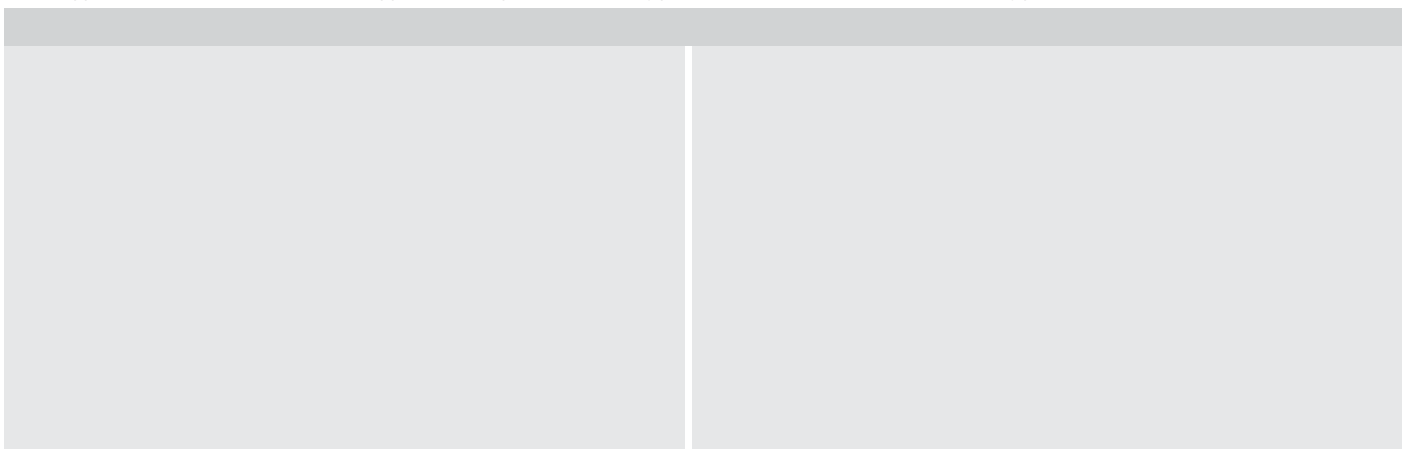
	Boss cover cap for screw-on boss	
Steel	Nickel plated	<b>70T3504</b>

	Boss <b>Screw-on</b>	Part No.
Steel boss with spring		<b>79B9458</b>

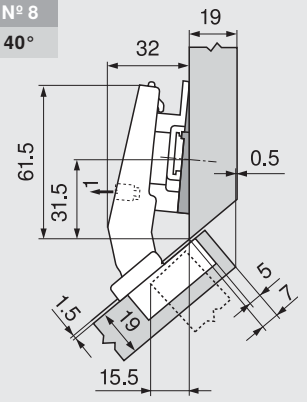
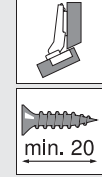
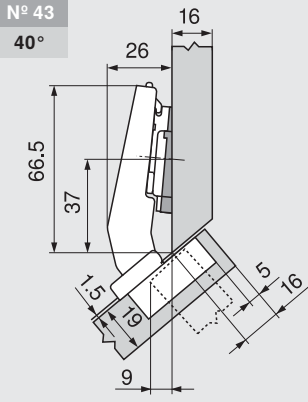
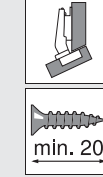
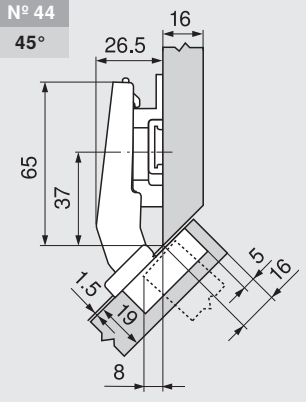
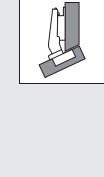
## Planning

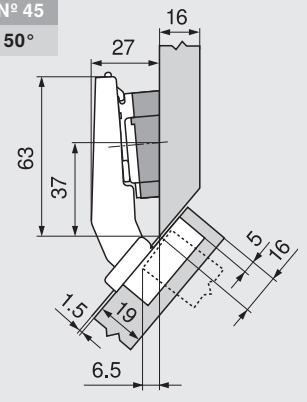
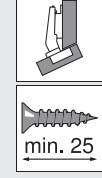
### Important:

These dimensions are based on a 19 mm door and cabinet side thickness. Dimensions would need to be altered if either thickness varied from 19 mm. A trial application is recommended. Some applications require the mounting plate to be moved from the standard fixing positions.

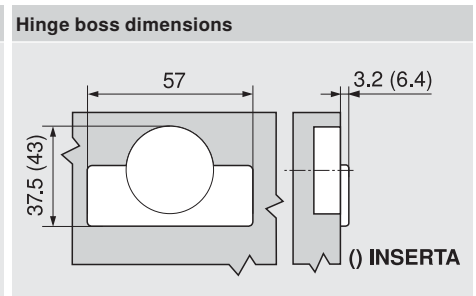
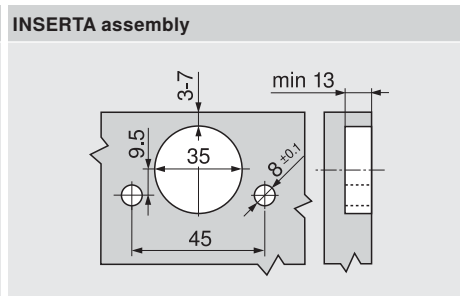
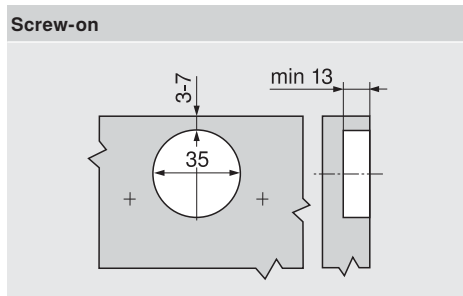
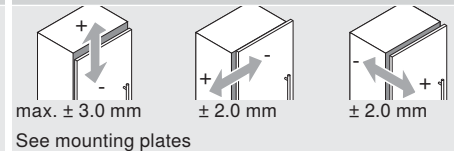


## Planning

<b>N° 8</b> <b>40°</b>  		<b>N° 43</b> <b>40°</b>  		<b>N° 44</b> <b>45°</b>  	
Part No.		Part No.		Part No.	
Angled spacer	-5°	<b>171A5500</b>	Angled spacer	-5°	<b>171A5500</b>
Mounting plate	6 mm	<b>175H9160</b>	Mounting plate	0 mm	<b>173H7100</b>
			Mounting plate	6 mm	<b>175H9160</b>

<b>N° 45</b> <b>50°</b>  		Part No.	
Angled spacer	+5°	<b>171A5070</b>	
Mounting plate	0 mm	<b>173H7100</b>	

### Adjustments





# CLIP top BLUMOTION +30° II – angled hinge overlay

## Product



## Description

- All metal hinge, nickel plated
- + 30° II angled hinge
- 95° opening angle
- With integrated **BLUMOTION**
- With **BLUMOTION** deactivation facility
- with convenient spiral-tech depth adjustment
- Compatible with existing mounting plates
- With closing mechanism (spring)
- Tool-free door to cabinet assembly and removal
- 3-dimensional adjustment (with relevant mounting plate)
- With **INSERTA** tool-free boss assembly

## Application

	25°	30°	35°
	N° 20	N° 21	N° 22
	38	39	39
	N° 50	N° 51	N° 52
	38	39	39
	N° 5	N° 6	N° 7
	43	39	39
	N° 40	N° 41	N° 42
	41	41	41
	N° 57	N° 58	N° 59
	38	39	39

## Order specification

	Boss	Part No.
<b>INSERTA</b>		
Steel boss with spring		<b>79B9596</b>

	Boss	Part No.
<b>Screw-on</b>		
Steel boss with spring		<b>79B9556</b>

	Boss cover cap for screw-on boss	Part No.
Steel	Nickel plated	<b>70T3504</b>

## Planning

### Important:

These dimensions are based on a 19 mm door and cabinet side thickness. Dimensions would need to be altered if either thickness varied from 19 mm.

A trial application is recommended. Some applications require the mounting plate to be moved from the standard fixing positions.

N° 20 25°		N° 50 25°		N° 57 25°	
	Part No.		Part No.		Part No.
Angled spacer	-5°	Angled spacer	-5°	Angled spacer	-5°
	<b>171A5500</b>		<b>171A5500</b>		<b>171A5500</b>
Mounting plate	9 mm	Mounting plate	0 mm	Mounting plate	0 mm
	<b>175H7190</b>		<b>173H7100</b>		<b>173H7100</b>

## Planning

<p><b>N° 21</b> 30°</p>	<p><b>N° 51</b> 30°</p>	<p><b>N° 6</b> 30°</p>
<p>Part No. Mounting plate 18 mm</p>	<p>Part No. Mounting plate 9 mm</p>	<p>Part No. Mounting plate 0 mm</p>
<p><b>175H7190.22</b></p>	<p><b>175H7190</b></p>	<p><b>173H7100</b></p>
<p><b>N° 58</b> 30°</p>	<p><b>N° 22</b> 35°</p>	<p><b>N° 52</b> 35°</p>
<p>Part No. Mounting plate 3 mm</p>	<p>Part No. Angled spacer +5° Mounting plate 18 mm</p>	<p>Part No. Angled spacer +5° Mounting plate 0 mm</p>
<p><b>173H7130</b></p>	<p><b>171A5010</b> <b>175H7190.22</b></p>	<p><b>171A5070</b> <b>173H7100</b></p>
<p><b>N° 7</b> 35°</p>	<p><b>N° 59</b> 35°</p>	<p><b>Adjustments</b></p> <p>max. ± 3.0 mm ± 1.8 mm ± 2.0 mm</p> <p>See mounting plates</p>
<p>Part No. Angled spacer +5° Mounting plate 0 mm</p>	<p>Part No. Angled spacer +5° Mounting plate 0 mm</p>	<p>Part No. Angled spacer +5° Mounting plate 0 mm</p>
<p><b>171A5010</b> <b>173H7100</b></p>	<p><b>171A5040</b> <b>173H7100</b></p>	<p><b>171A5040</b> <b>173H7100</b></p>

# CLIP top BLUMOTION +30° III – angled hinge full overlay

## Product



## Description

- All metal hinge, nickel plated
- +30° III angled hinge
- 95° opening angle
- With integrated **BLUMOTION**
- With **BLUMOTION** deactivation facility
- with convenient spiral-tech depth adjustment
- Compatible with existing mounting plates
- With closing mechanism (spring)
- Tool-free door to cabinet assembly and removal
- 3-dimensional adjustment (with relevant mounting plate)
- With **INSERTA** tool-free boss assembly

## Application

	25°	30°	35°
	N° 20 38	N° 21 39	N° 22 39
	N° 50 38	N° 51 39	N° 52 39
	N° 5 43	N° 6 39	N° 7 39
	N° 40 41	N° 41 41	N° 42 41
	N° 57 38	N° 58 39	N° 59 39

## Order specification

	Boss <b>INSERTA</b>	Part No.
Steel boss with spring		<b>79B9496</b>

	Boss <b>Screw-on</b>	Part No.
Steel boss with spring		<b>79B9456</b>

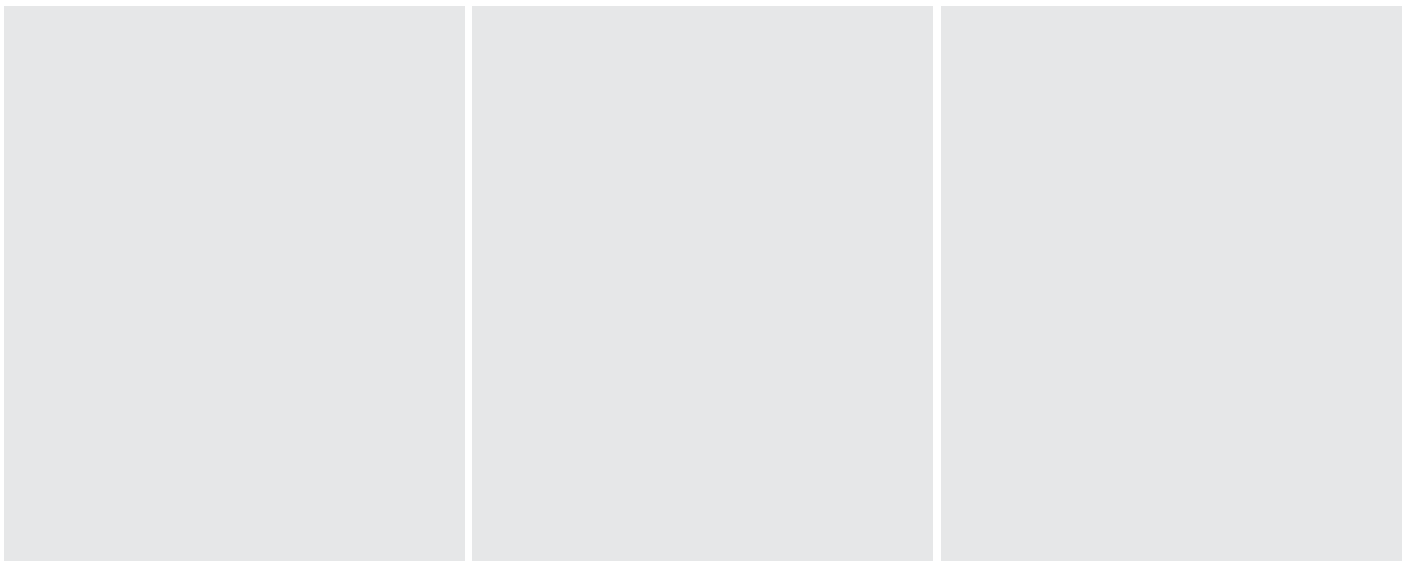
	Boss cover cap for screw-on boss	Part No.
Steel	Nickel plated	<b>70T3504</b>

## Planning

### Important:

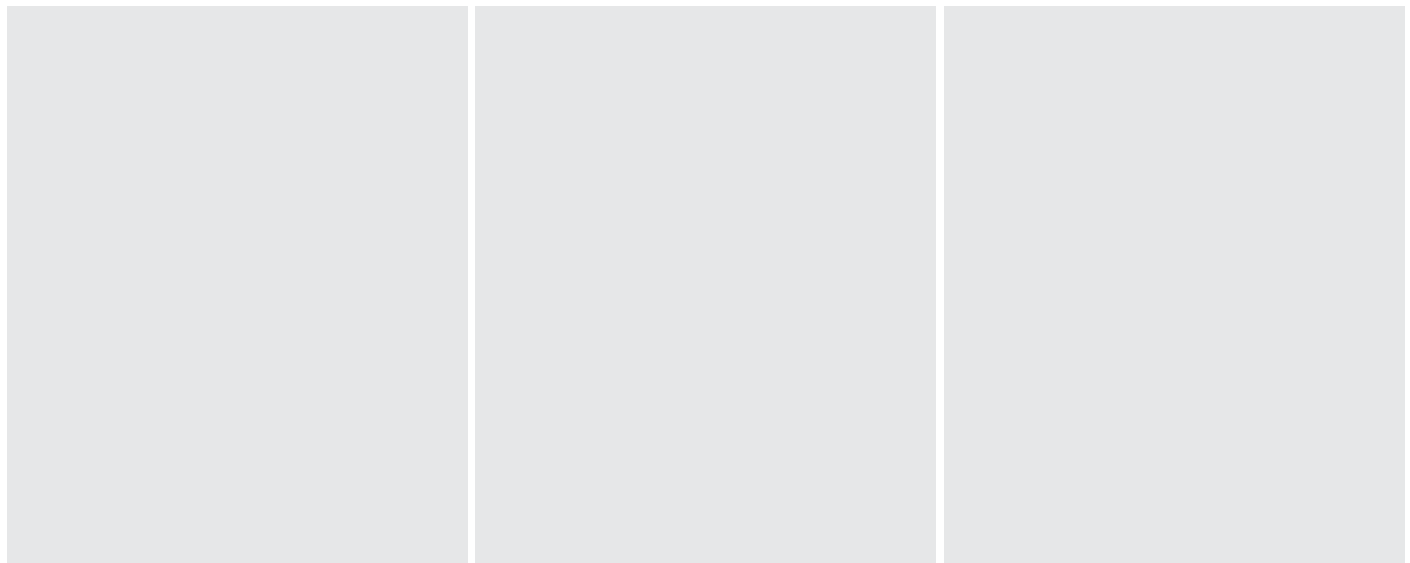
These dimensions are based on a 19 mm door and cabinet side thickness. Dimensions would need to be altered if either thickness varied from 19 mm.

A trial application is recommended. Some applications require the mounting plate to be moved from the standard fixing positions.



## Planning

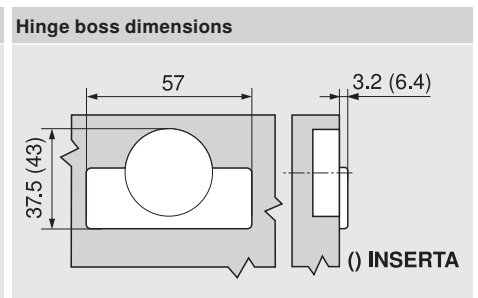
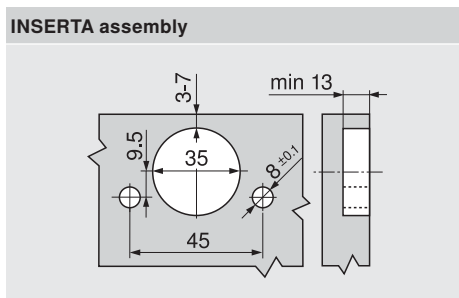
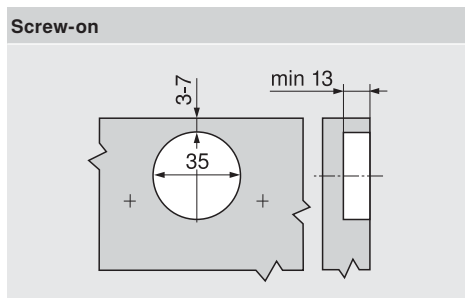
N° 40 25°		N° 41 30°		N° 42 35°	
Part No.		Part No.		Part No.	
Angled spacer	-5°	171A5500	Mounting plate	6 mm	175H9160
Mounting plate	0 mm	173H7100			
Angled spacer	+5°	171A5070	Mounting plate	0 mm	173H7100



**Adjustments**

max. ± 3.0 mm    ± 2.0 mm    ± 2.0 mm

See mounting plates



# CLIP top BLUMOTION +20° II – angled hinge overlay

## Product



## Description

- All metal hinge, nickel plated
- +20° II angled hinge
- 95° opening angle
- With integrated **BLUMOTION**
- With **BLUMOTION** deactivation facility
- with convenient spiral-tech depth adjustment
- Compatible with existing mounting plates
- With closing mechanism (spring)
- Tool-free door to cabinet assembly and removal
- 3-dimensional adjustment (with relevant mounting plate)
- With **INSERTA** tool-free boss assembly

## Application

	15°	20°	25°
	N° 18	N° 19	N° 20
	42	43	38
	N° 48	N° 49	N° 50
	42	43	38
	N° 3	N° 4	N° 5
	45	43	43
	N° 38	N° 39	N° 40
	45	45	41
	N° 55	N° 56	N° 57
	42	43	38

## Order specification

	Boss <b>INSERTA</b>	Part No.
Steel boss with spring		<b>79B9595</b>

	Boss cover cap for screw-on boss	
Steel	Nickel plated	<b>70T3504</b>

	Boss <b>Screw-on</b>	Part No.
Steel boss with spring		<b>79B9555</b>

## Planning

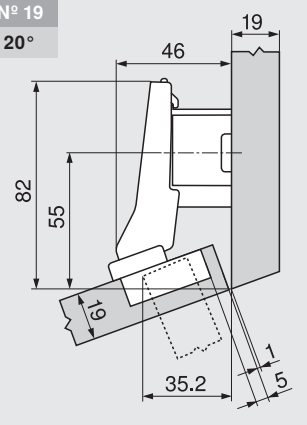
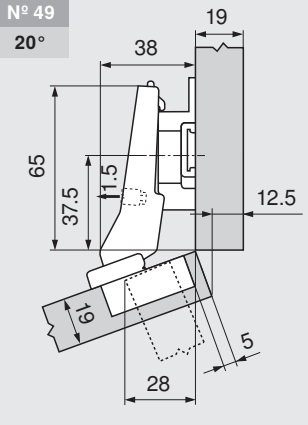
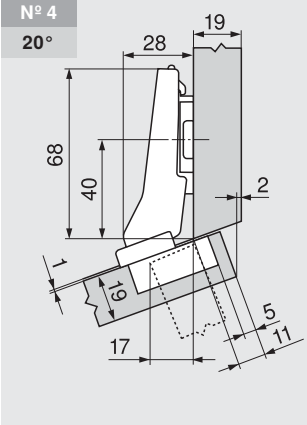
### Important:

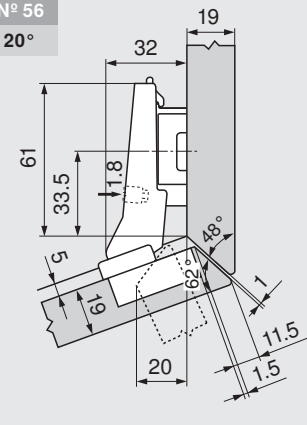
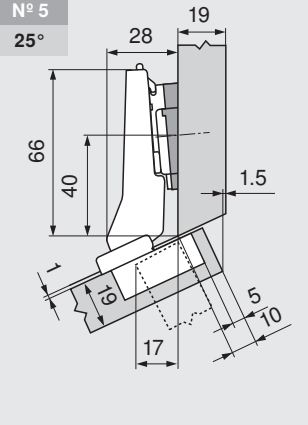

These dimensions are based on a 19 mm door and cabinet side thickness. Dimensions would need to be altered if either thickness varied from 19 mm.

A trial application is recommended. Some applications require the mounting plate to be moved from the standard fixing positions.

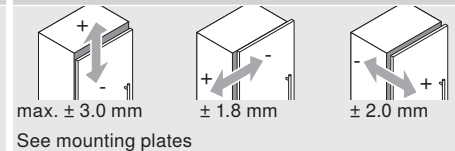
N° 18 15°			N° 48 15°			N° 55 15°		
		min. 20			min. 20			min. 20
	Part No.		Part No.		Part No.		Part No.	
Angled spacer	-5°	<b>171A5500</b>	Angled spacer	-5°	<b>171A5500</b>	Angled spacer	-5°	<b>171A5500</b>
Mounting plate	9 mm	<b>175H7190</b>	Mounting plate	3 mm	<b>173H7130</b>	Mounting plate	0 mm	<b>173H7100</b>

## Planning

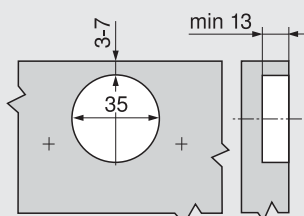
<b>N° 19</b> <b>20°</b> 		<b>N° 49</b> <b>20°</b> 		<b>N° 4</b> <b>20°</b> 	
Part No.		Part No.		Part No.	
Mounting plate	18 mm	Mounting plate	9 mm	Mounting plate	0 mm
	<b>175H7190.22</b>		<b>175H7190</b>		<b>173H7100</b>

<b>N° 56</b> <b>20°</b> 		<b>N° 5</b> <b>25°</b> 			
Part No.		Part No.			
Mounting plate	6 mm	Angled spacer	+5°	Mounting plate	0 mm
	<b>175H9160</b>		<b>171A5010</b>		<b>173H7100</b>

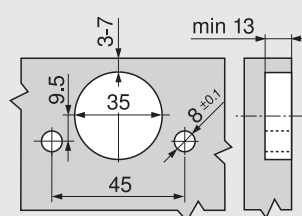
### Adjustments



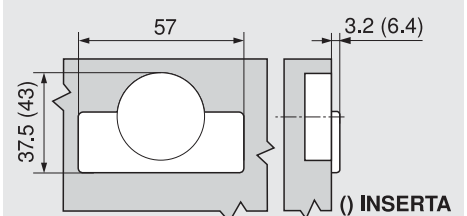
### Screw-on



### INSERTA assembly



### Hinge boss dimensions





# CLIP top BLUMOTION +15° III – angled hinge full overlay

## Product



## Description

- All metal hinge, nickel plated
- +15° III angled hinge
- 95° opening angle
- With integrated **BLUMOTION**
- With **BLUMOTION** deactivation facility
- with convenient spiral-tech depth adjustment
- Compatible with existing mounting plates
- With closing mechanism (spring)
- Tool-free door to cabinet assembly and removal
- 3-dimensional adjustment (with relevant mounting plate)
- With **INSERTA** tool-free boss assembly

## Application

	10°	15°	20°
	N° 17	N° 18	N° 19
	44	42	43
	N° 47	N° 48	N° 49
	44	42	43
	N° 2	N° 3	N° 4
	44	45	43
	N° 37	N° 38	N° 39
	45	45	45
	-	N° 55	N° 56
		42	43

## Order specification

	Boss <b>INSERTA</b>	Part No.
Steel boss with spring		<b>79B9494</b>

	Boss cover cap for screw-on boss	Part No.
Steel	Nickel plated	<b>70T3504</b>

	Boss <b>Screw-on</b>	Part No.
Steel boss with spring		<b>79B9454</b>

## Planning

### Important:

These dimensions are based on a 19 mm door and cabinet side thickness. Dimensions would need to be altered if either thickness varied from 19 mm.

A trial application is recommended. Some applications require the mounting plate to be moved from the standard fixing positions.

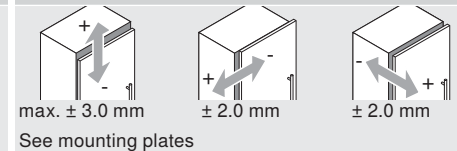
N° 17 10°		N° 47 10°		N° 2 10°	
	Part No.		Part No.		Part No.
Angled spacer	-5°	<b>171A5500</b>	Angled spacer	-5°	<b>171A5500</b>
Mounting plate	18 mm	<b>175H7190.22</b>	Mounting plate	18 mm	<b>175H7190.22</b>
			Mounting plate	0 mm	<b>173H7100</b>

## Planning

N° 37 10°		N° 3 15°		N° 38 15°	
	Part No.		Part No.		Part No.
Angled spacer	-5°	<b>171A5500</b>	Mounting plate	9 mm	<b>175H7190</b>
Mounting plate	0 mm	<b>173H7100</b>			

N° 39 20°					
	Part No.				
Angled spacer	+5°	<b>171A5070</b>			
Mounting plate	0 mm	<b>173H7100</b>			

### Adjustments



Screw-on	INSERTA / knock-in assembly	Hinge boss dimensions
		( ) INSERTA

# CLIP top BLUMOTION -15° III – angled hinge full overlay





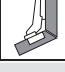
## Product



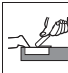
## Description

- All metal hinge, nickel plated
- -15° III angled hinge
- 110° opening angle
- With integrated **BLUMOTION**
- With **BLUMOTION** deactivation facility
- with convenient spiral-tech depth adjustment
- Compatible with existing mounting plates
- With closing mechanism (spring)
- Tool-free door to cabinet assembly and removal
- 3-dimensional adjustment (with relevant mounting plate)
- With **INSERTA** tool-free boss assembly

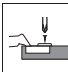
## Application

	-20°	-15°	-10°
	N° 12 49	N° 13 49	N° 14 49
	-	-	-
	-	-	-
	N° 32 49	N° 33 49	N° 34 49
	-	-	-

## Order specification

	Boss <b>INSERTA</b>	Part No.
Steel boss with spring		<b>79B3493</b>

	Boss cover cap for screw-on boss	
Steel	Nickel plated	<b>70T3504</b>

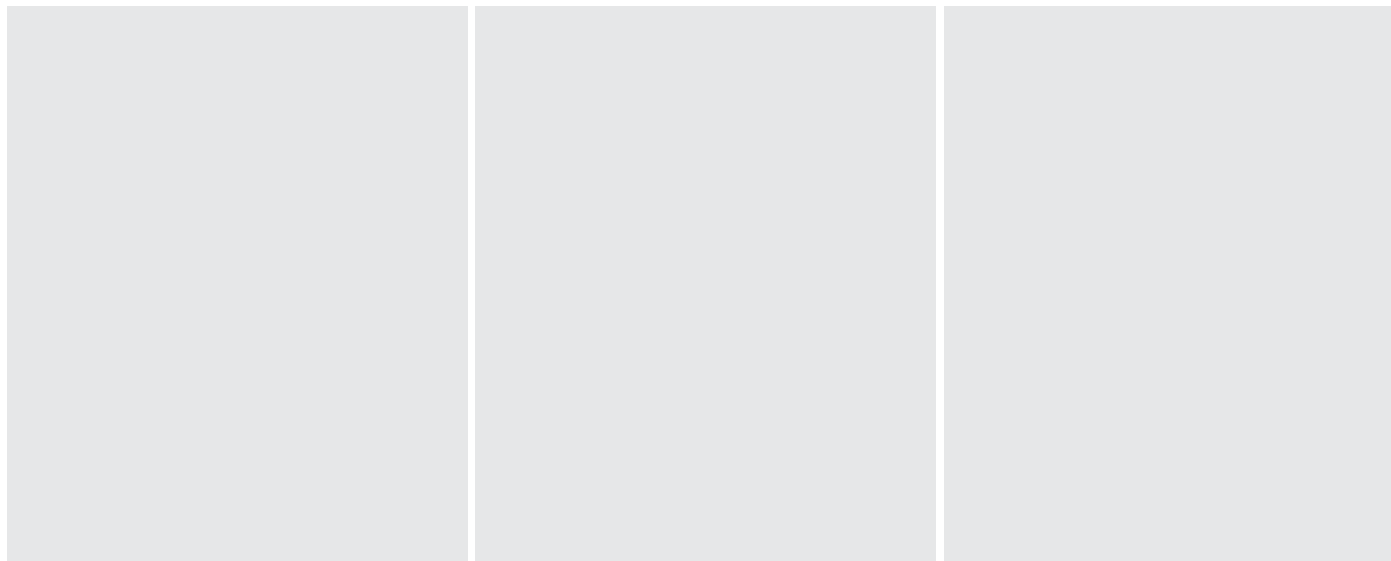
	Boss <b>Screw-on</b>	Part No.
Steel boss with spring		<b>79B3453</b>

## Planning

### Important:

These dimensions are based on a 19 mm door and cabinet side thickness. Dimensions would need to be altered if either thickness varied from 19 mm.

A trial application is recommended. Some applications require the mounting plate to be moved from the standard fixing positions.

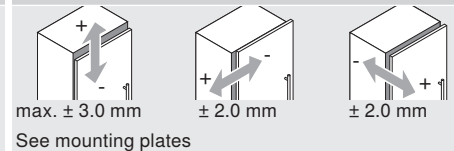


## Planning

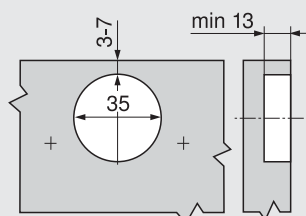
<b>N° 12</b> <b>-20°</b>		<b>N° 32</b> <b>-20°</b>		<b>N° 13</b> <b>-15°</b>	
Part No.		Part No.		Part No.	
Angled spacer	-5°	<b>171A5500</b>	Angled spacer	-5°	<b>171A5500</b>
Mounting plate	6 mm	<b>175H9160</b>	Mounting plate	0 mm	<b>173H7100</b>
			Mounting plate	18 mm	<b>175H7190.22</b>

<b>N° 33</b> <b>-15°</b>		<b>N° 14</b> <b>-10°</b>		<b>N° 34</b> <b>-10°</b>	
Part No.		Part No.		Part No.	
Mounting plate	0 mm	<b>173H7100</b>	Angled spacer	+5°	<b>171A5070</b>
			Mounting plate	9 mm	<b>175H7190</b>
			Angled spacer	+5°	<b>171A5010</b>
			Mounting plate	0 mm	<b>173H7100</b>

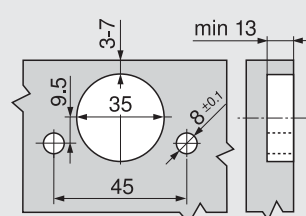
### Adjustments



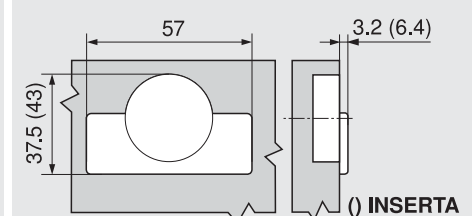
### Screw-on



### INSERTA assembly



### Hinge boss dimensions



# CLIP top BLUMOTION -30° III – angled hinge full overlay

## Product



## Description

- All metal hinge, nickel plated
- -30° III angled hinge
- 110° opening angle
- With integrated **BLUMOTION**
- With **BLUMOTION** deactivation facility
- with convenient spiral-tech depth adjustment
- Compatible with existing mounting plates
- With closing mechanism (spring)
- Tool-free door to cabinet assembly and removal
- 3-dimensional adjustment (with relevant mounting plate)
- With **INSERTA** tool-free boss assembly

## Application

	-35°	-30°	-25°
	-	-	N° 11
	-	-	51
	-	-	-
	N° 29	N° 30	N° 31
	51	51	51
	-	-	-

## Order specification

	Boss <b>INSERTA</b>	Part No.
Steel boss with spring		<b>79B3491</b>

	Boss <b>Screw-on</b>	Part No.
Steel boss with spring		<b>79B3451</b>

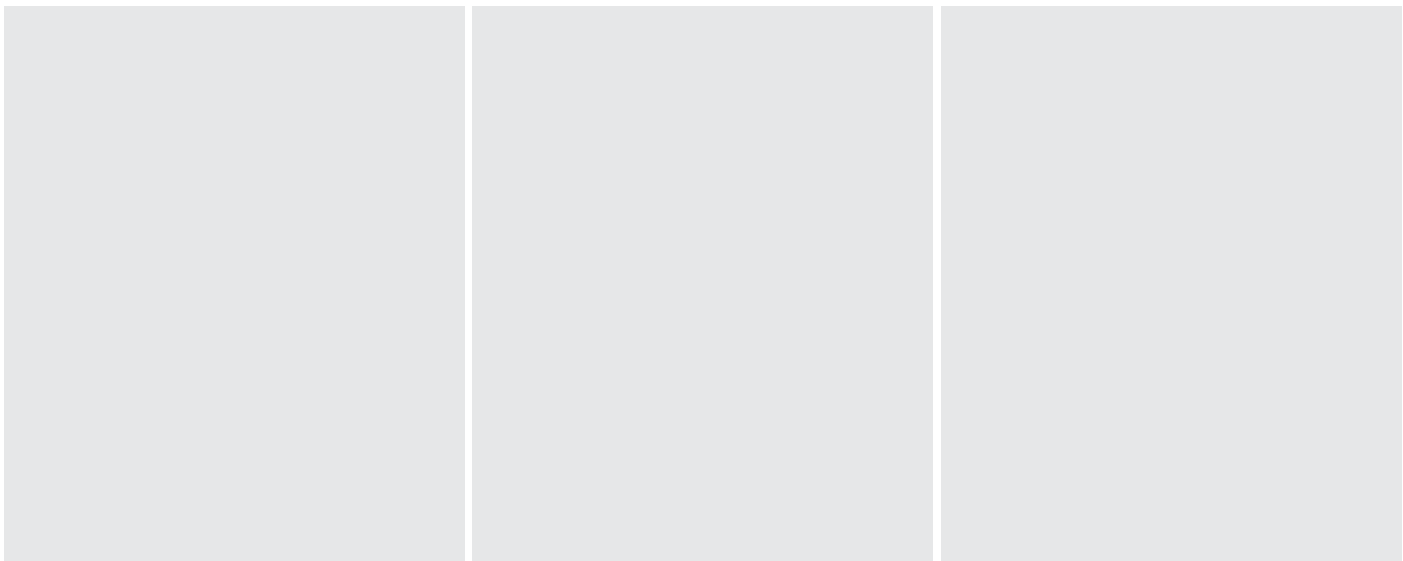
	Boss cover cap for screw-on boss	
Steel	Nickel plated	<b>70T3504</b>

## Planning

### Important:

These dimensions are based on a 19 mm door and cabinet side thickness. Dimensions would need to be altered if either thickness varied from 19 mm.

A trial application is recommended. Some applications require the mounting plate to be moved from the standard fixing positions.

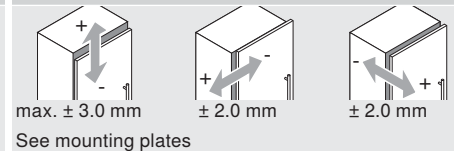


## Planning

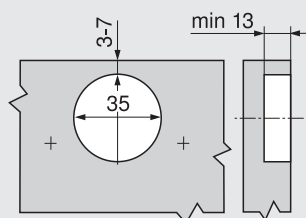
<b>N° 29</b> <b>-35°</b>				<b>N° 11</b> <b>-25°</b>	
		 min. 20		 min. 25	
	Part No.		Part No.		Part No.
Angled spacer	-5°	<b>171A5500</b>	Mounting plate	3 mm	<b>173H7130</b>
Mounting plate	0 mm	<b>173H7100</b>			
Angled spacer	+5°	<b>171A5070</b>	Mounting plate	9 mm	<b>175H7190</b>
Mounting plate	0 mm	<b>173H7100</b>			

<b>N° 31</b> <b>-25°</b>			 min. 25
	Part No.		
Angled spacer	+5°	<b>171A5040</b>	
Mounting plate	0 mm	<b>173H7100</b>	

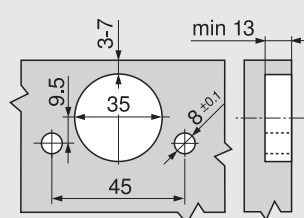
### Adjustments



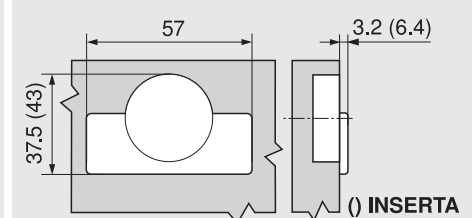
### Screw-on



### INSERTA assembly



### Hinge boss dimensions





# CLIP top BLUMOTION -45° III – angled hinge full overlay

## Product



## Description

- All metal hinge, nickel plated
- -45° III angled hinge
- 110° opening angle
- With integrated **BLUMOTION**
- With **BLUMOTION** deactivation facility
- with convenient spiral-tech depth adjustment
- Compatible with existing mounting plates
- With closing mechanism (spring)
- Tool-free door to cabinet assembly and removal
- 3-dimensional adjustment (with relevant mounting plate)
- With **INSERTA** tool-free boss assembly

## Application

	-50°	-45°	-40°
	-	-	-
	-	-	-
	-	-	-
	Nº 26	Nº 27	Nº 28
	53	53	53
	-	-	-

## Order specification

	Boss <b>INSERTA</b>	Part No.
Steel boss with spring		<b>79B3490</b>

	Boss <b>Screw-on</b>	
Steel boss with spring		<b>79B3450</b>

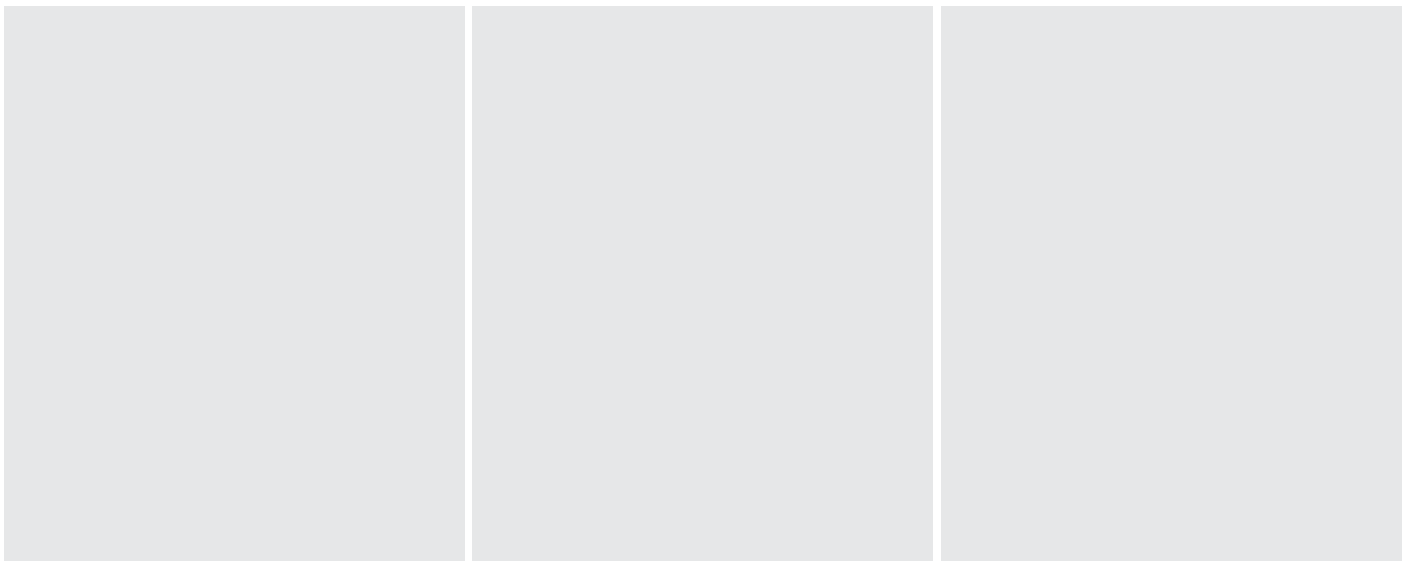
	<b>Boss cover cap for screw-on boss</b>	
Steel	Nickel plated	<b>70T3504</b>

## Planning

### Important:

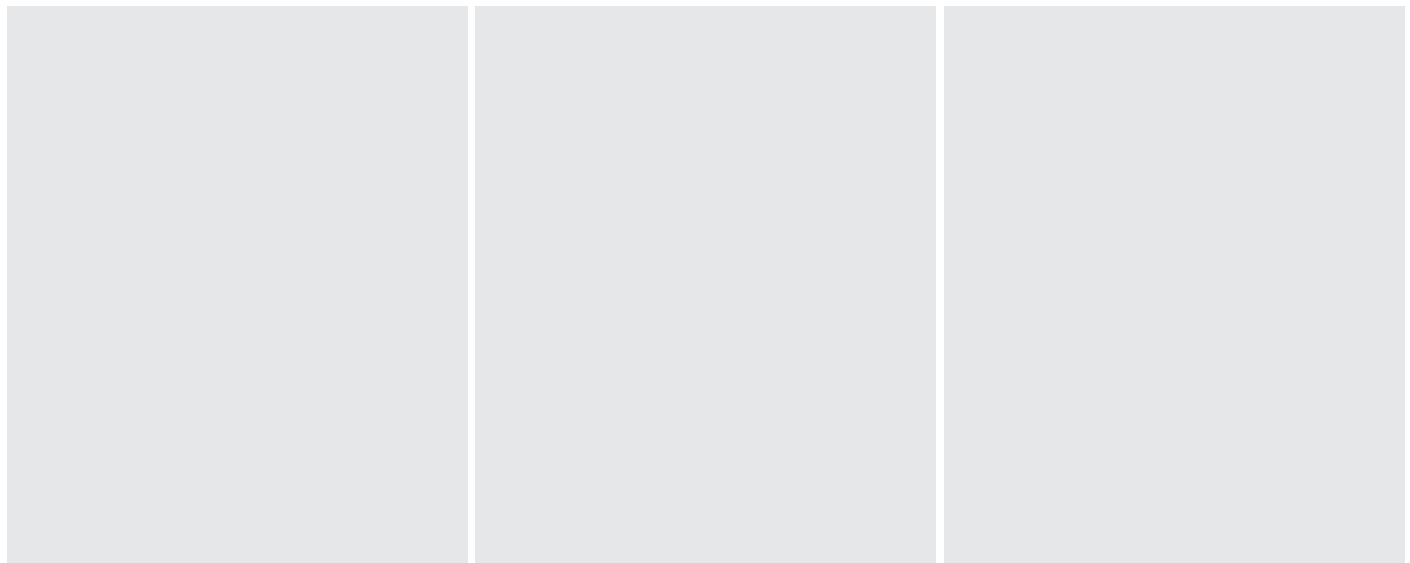
These dimensions are based on a 19 mm door and cabinet side thickness. Dimensions would need to be altered if either thickness varied from 19 mm.

A trial application is recommended. Some applications require the mounting plate to be moved from the standard fixing positions.



## Planning

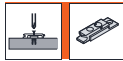
N° 26 -50°		N° 27 -45°		N° 28 -40°	
	Part No.		Part No.		Part No.
Angled spacer	-5°	<b>171A5500</b>	Mounting plate	3 mm	<b>173H7130</b>
Mounting plate	0 mm	<b>173H7100</b>			
Angled spacer	+5°	<b>171A5040</b>	Mounting plate	0 mm	<b>173H7100</b>



Adjustments
See mounting plates

Screw-on	INSERTA assembly	Hinge boss dimensions
		() INSERTA

# CLIP top Mounting Plates



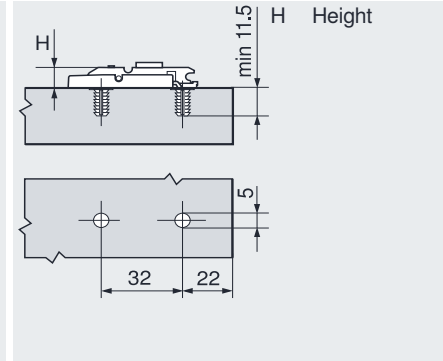
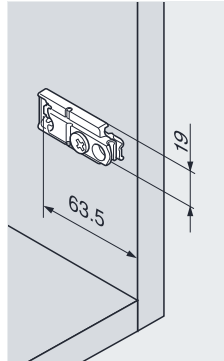
## Horizontal cam mounting plate

22/32



- Material: zinc, nickel plated
- Assembly using pre-mounted special screws with split dowels (EXPANDO)
- With height adjustment  $\pm 2$  mm

Spacing	Height	Part no.
0 mm	8.5 mm	177H5400E
3 mm	11.5 mm	177H5430E



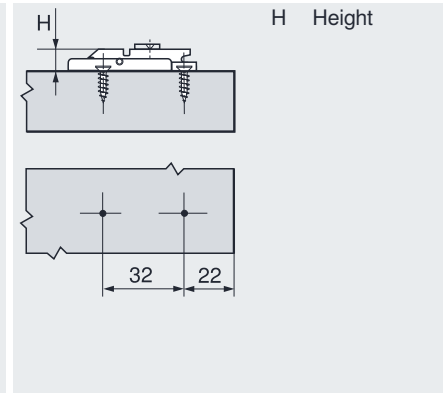
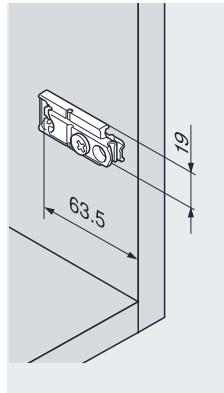
## Horizontal cam mounting plate

22/32



- Material: zinc die-cast, nickel plated
- Fixing with chipboard screws  $\varnothing 3.5$  mm
- With cam height adjustment  $\pm 2$  mm
- Recommended screw length 17 mm

Spacing	Height	Part no.
0 mm	8.5 mm	175H5400
3 mm	11.5 mm	175H5430



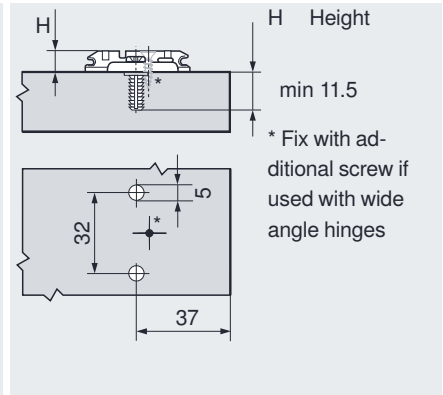
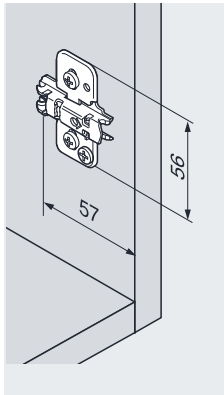
## Cruciform cam mounting plate

37/32



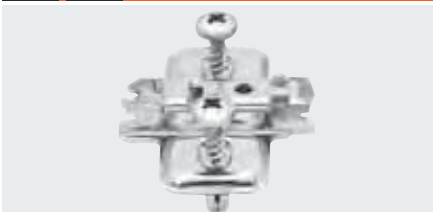
- Material: steel, nickel plated
- Fixing with pre-mounted special screws with split dowels
- With cam height adjustment  $\pm 2$  mm

Spacing	Height	Part no.
0 mm	8.5 mm	174H7100E
3 mm	11.5 mm	174H7130E



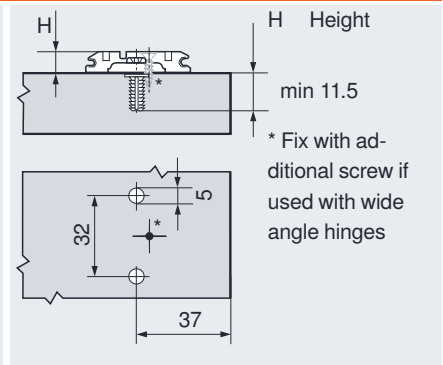
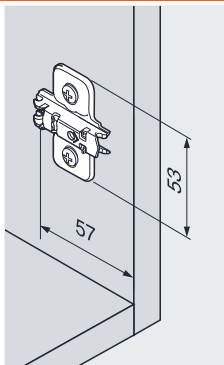
## Cruciform mounting plate

37/32



- Material: steel, nickel plated
- Fixing with pre-mounted special screws with split dowels
- With height adjustment  $\pm 2$  mm

Spacing	Height	Part no.
0 mm	8.5 mm	174E6100.01
3 mm	11.5 mm	174E6130.01



# CLIP top Mounting Plates

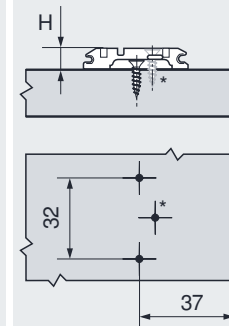
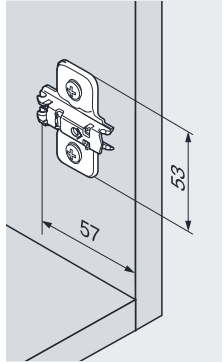


## Cruciform mounting plate

37/32



- Material: steel, nickel plated
- Fixing with chipboard screws  $\varnothing 3.5$  and  $\varnothing 4$  mm
- With height adjustment  $\pm 3$  mm
- Recommended screw length 17 mm



H Height

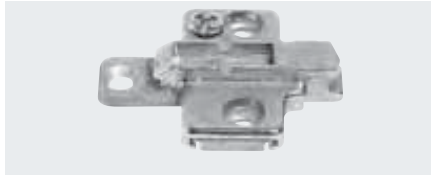
\* Fix with additional screw if used with wide angle hinges

Spacing	Height	Part no.
0 mm	8.5 mm	173L6100
3 mm	11.5 mm	173L6130

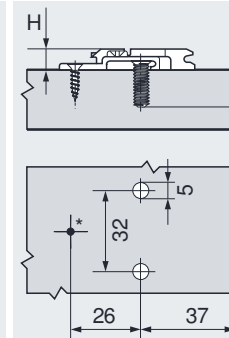
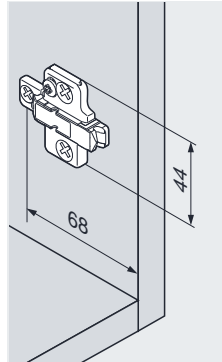


## Cruciform mounting plate

37/32



- Material: zinc die-cast, nickel plated
- Fixing with system screws  $\varnothing 6 \times 14.5$  mm (661.1450)
- With height adjustment  $\pm 2$  mm



H Height

min 11.5

\* Fix with additional screw if used with wide angle hinges

Spacing	Height	Part no.
0 mm	8.5 mm	175H9100
3 mm	11.5 mm	175H9130
6 mm	14.5 mm	175H9160
9 mm	17.5 mm	175H9190
18 mm	26.5 mm	175H9190.22

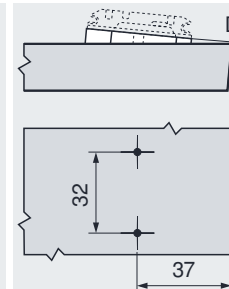
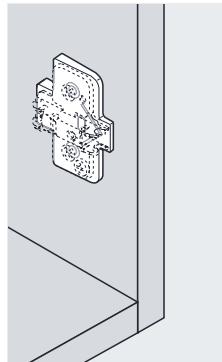


## +5° obtuse angled spacer

37/32



- +5° obtuse angled spacer
- Material: zinc die-cast, nickel plated
- Suitable for mounting plates: 173H71X0, 175H71X0, 175H91X0
- Fixing with chipboard screws  $\varnothing 3.5$  and  $\varnothing 4$  mm



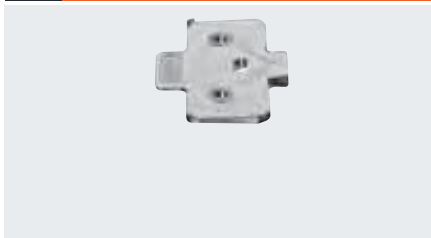
Spacing

Spacing	Part no.
0.8 mm	171A5010
3 mm	171A5040
6 mm	171A5070

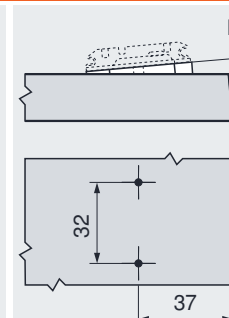
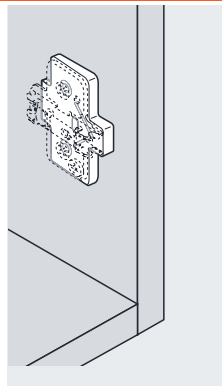


## -5° acute angled spacer

37/32



- -5° acute angled spacer
- Material: zinc die-cast, nickel plated
- Suitable for mounting plates: 173H71X0, 175H71X0, 175H91X0
- Fixing with chipboard screws  $\varnothing 3.5$  and  $\varnothing 4$  mm

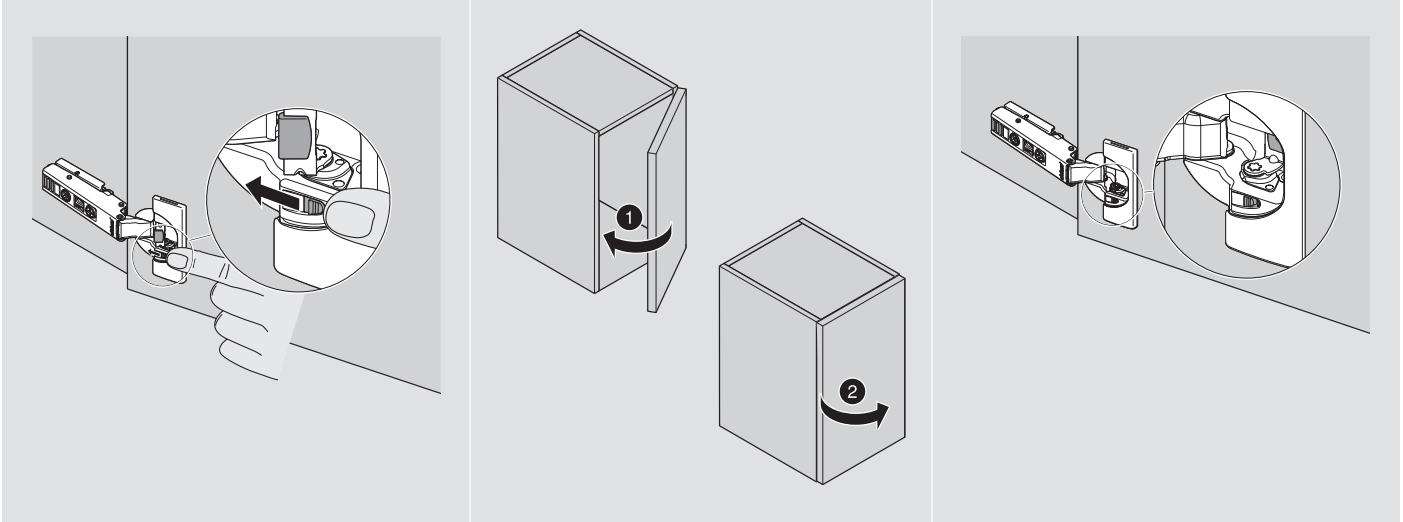


Spacing

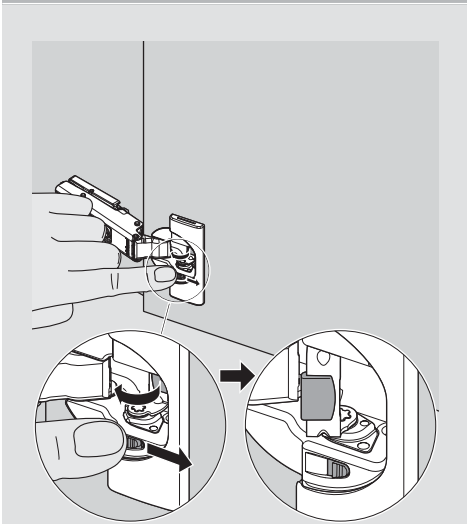
Spacing	Part no.
6 mm	171A5500

# Assembly and adjustment

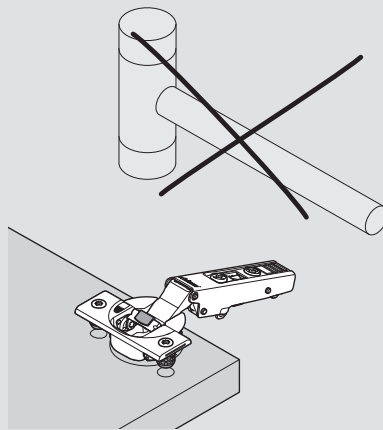
## BLUMOTION deactivation (for small or light fronts)



## BLUMOTION activation

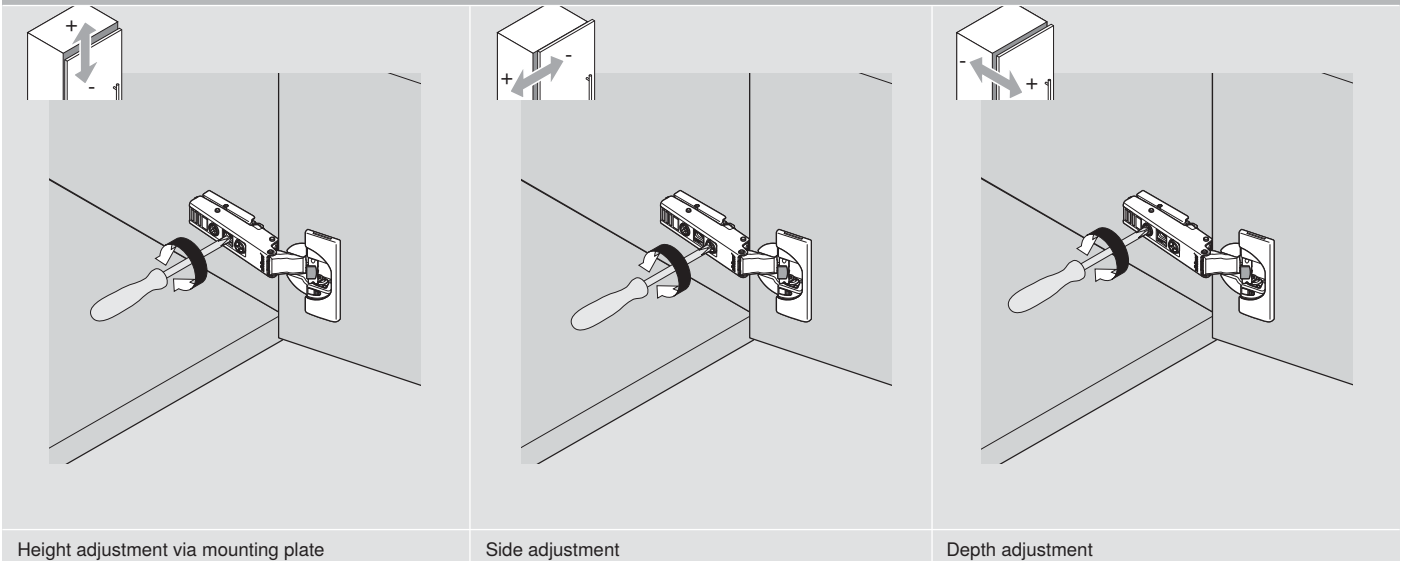


## Note



Do not use a hammer to insert the hinge into the drill hole.

## 3-dimensional adjustment

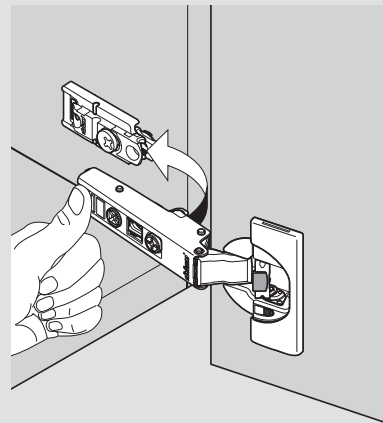
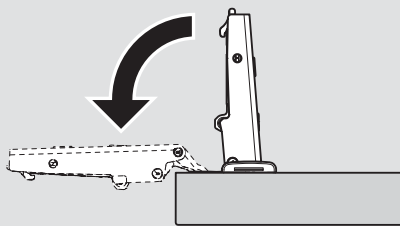
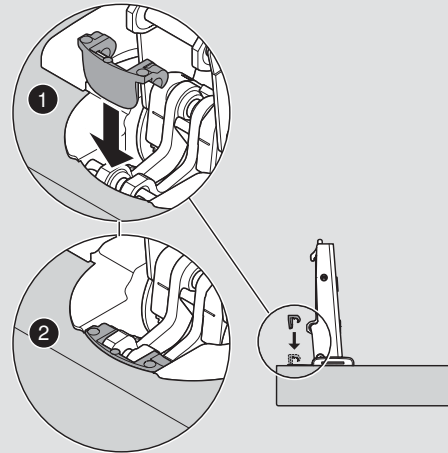
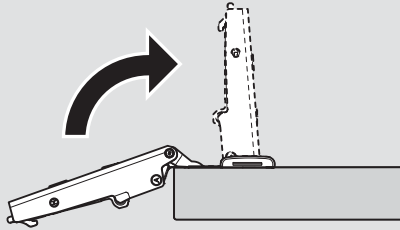


Height adjustment via mounting plate

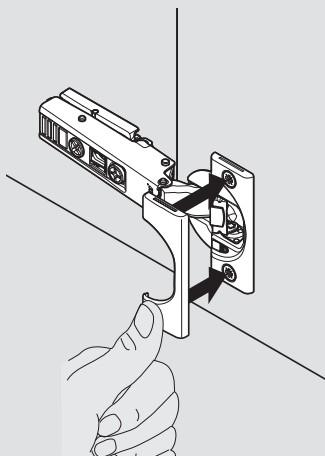
Side adjustment

Depth adjustment

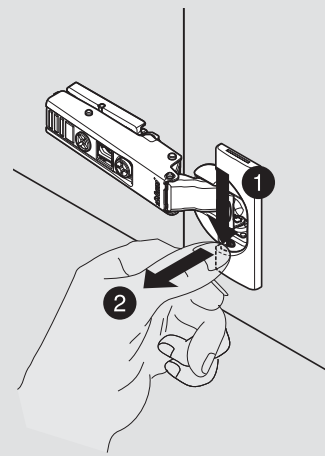
Opening angle stop assembly



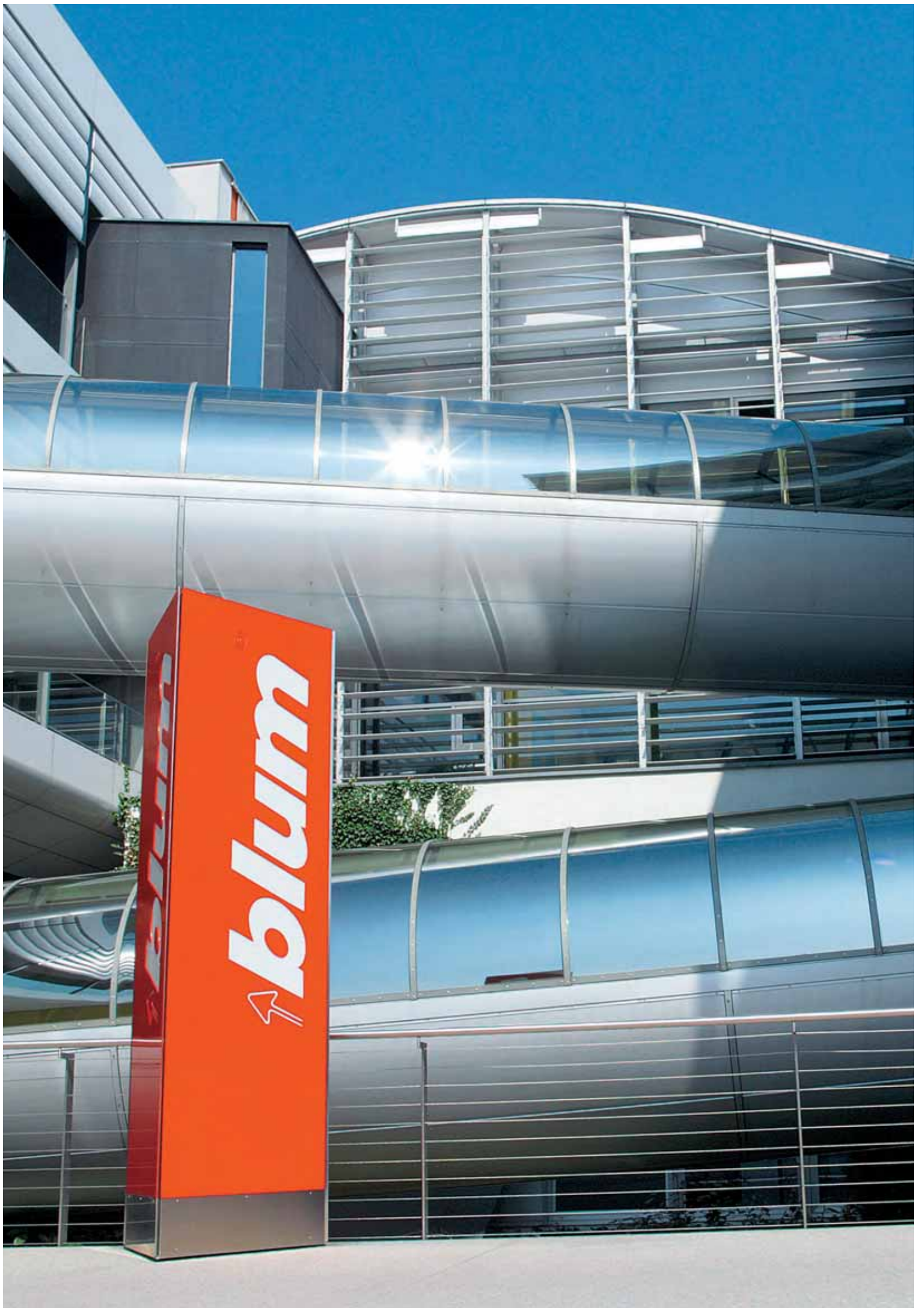
Boss cover cap assembly



Boss cover cap removal









## Perfecting motion

### Our understanding of perfect motion

Blum turns the opening and closing of furniture into an experience that significantly increases the comfort of motion in the kitchen. Several thousand employees are continually working worldwide implementing our concept of the perfect motion possible. Within this process, we place the needs of the kitchen user as the focus of our actions. We are only satisfied when the kitchen user is satisfied. All of our partners who participate in the furniture making process profit from this focus.

For over 50 years, quality has been the highest principle for the development and manufacture of our products. Our fittings systems shout "high quality" with their well-thought-out function, recognised design and high durability. They are designed to inspire and trigger fascination for perfect motion. We also set the bar very high for the services we offer. They must provide the best possible support to our partners.

So that we can target our efforts at all levels, we are in a constant dialogue with kitchen users and regularly exchange information with furniture manufacturers, carpenters and distributors.



All content is copyrighted by Blum.  
Subject to technical modifications and changes to the range without notice. ID: 1.001.13

Blum Australia Pty. Ltd.  
P.O. Box 1615  
Green Valley, NSW 2168  
Australia  
Tel.: +61 2 9612 5400  
Fax: +61 2 9822 8540  
E-mail: [info.au@blum.com](mailto:info.au@blum.com)



 **blum**®