

**Docking  
Drawer®**

**blum®**

# Docking Drawer Trio Series Mounting Diagrams

for Blum LEGRABOX & TANDEMBOX

Revision 3

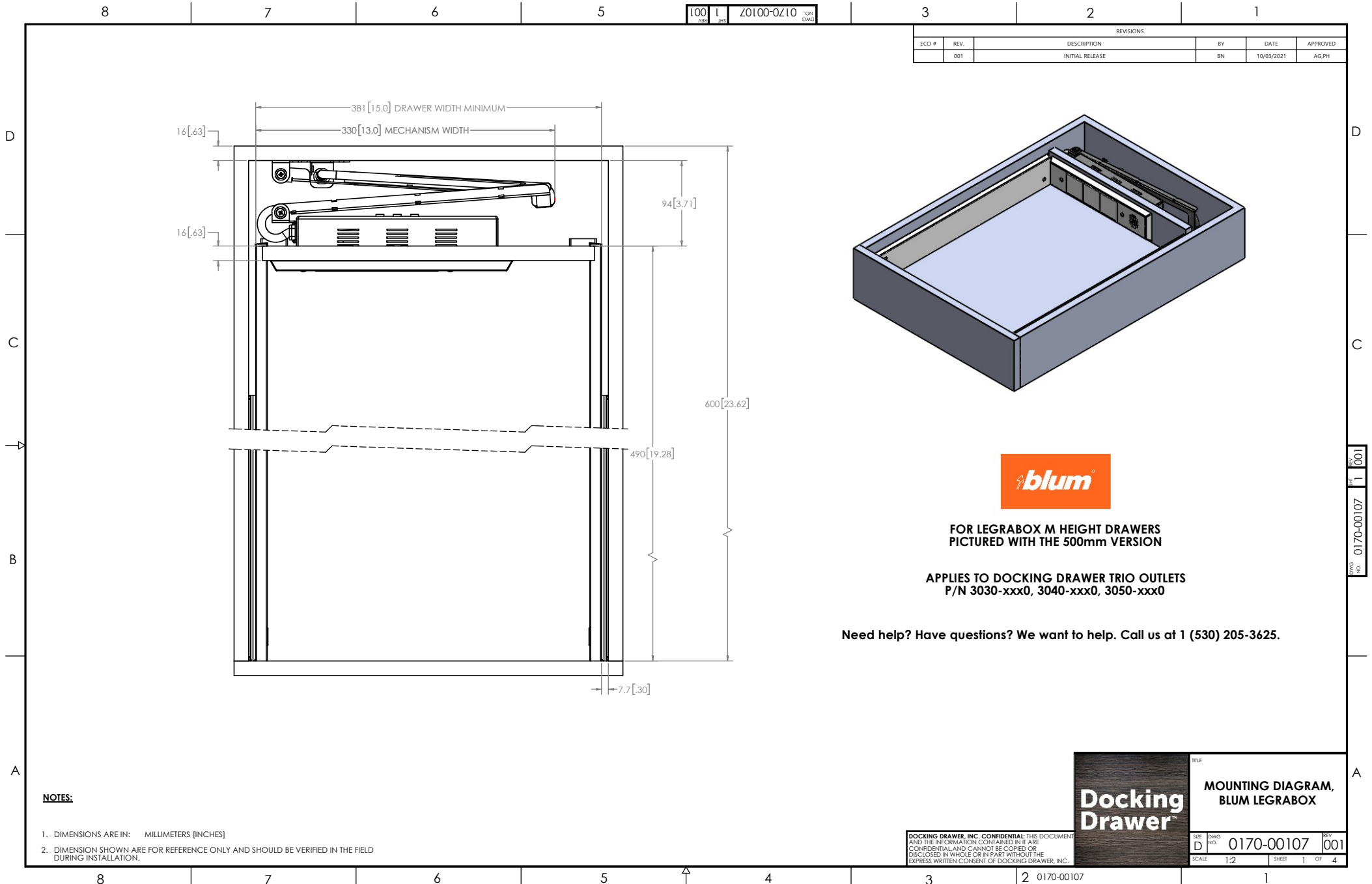


# Choose Your Drawer Box System

- 3** | LEGRABOX - M Height Drawers
- 7** | LEGRABOX - C, F & K Height Drawers
- 11** | TANDEMBOX - M Height Drawers
- 15** | TANDEMBOX - C & D Height Drawers

# Docking Drawer Trio for LEGRABOX M Height Drawers

Back to Contents →



REVISIONS					
ECO #	REV.	DESCRIPTION	BY	DATE	APPROVED
	001	INITIAL RELEASE	BN	10/03/2021	AG,PH



FOR LEGRABOX M HEIGHT DRAWERS  
PICTURED WITH THE 500mm VERSION

APPLIES TO DOCKING DRAWER TRIO OUTLETS  
P/N 3030-xxx0, 3040-xxx0, 3050-xxx0

Need help? Have questions? We want to help. Call us at 1 (530) 205-3625.

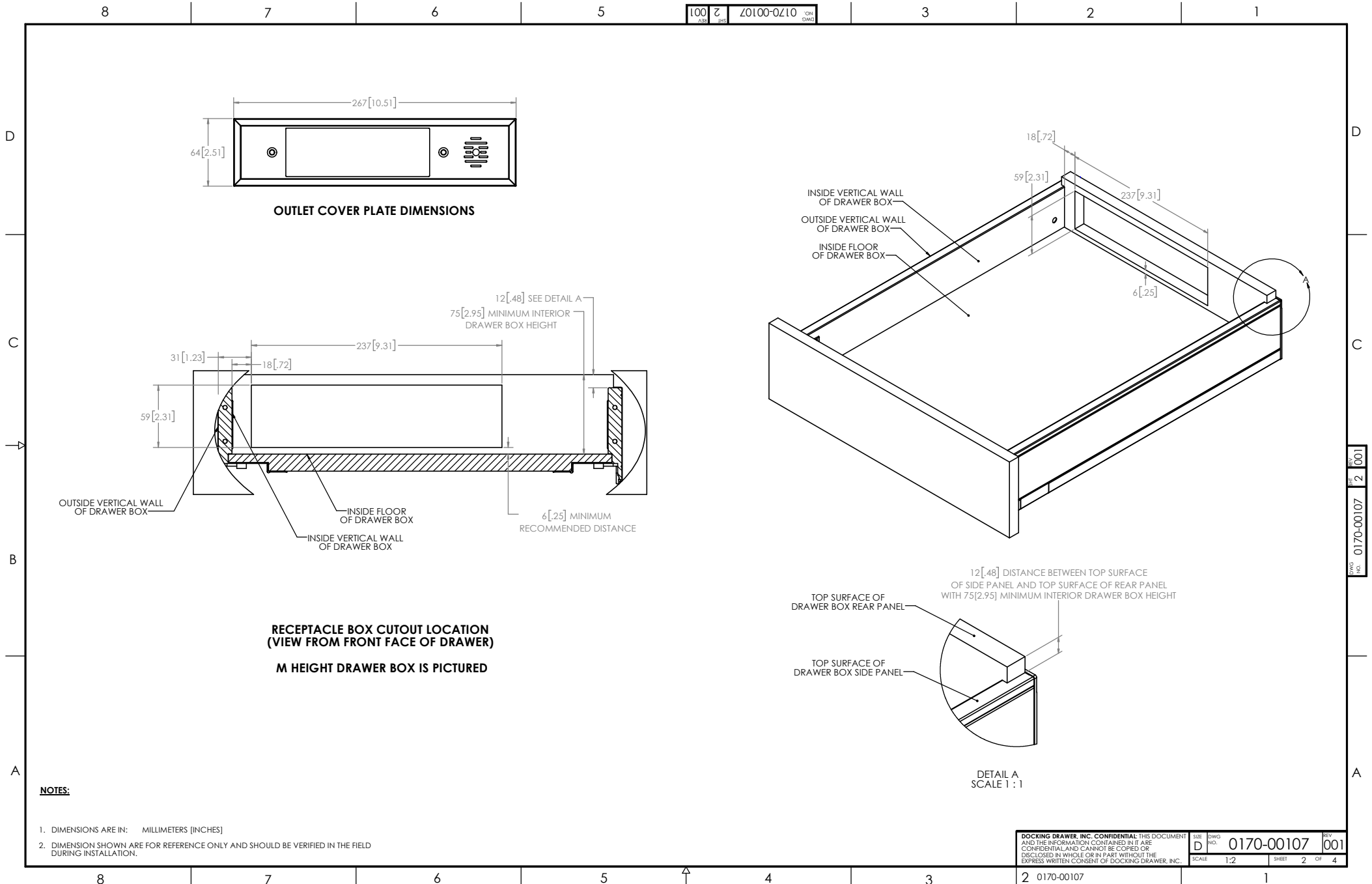
**NOTES:**

1. DIMENSIONS ARE IN:    MILLIMETERS [INCHES]
2. DIMENSION SHOWN ARE FOR REFERENCE ONLY AND SHOULD BE VERIFIED IN THE FIELD DURING INSTALLATION.

DOCKING DRAWER, INC. CONFIDENTIAL THIS DOCUMENT AND THE INFORMATION CONTAINED IN IT ARE CONFIDENTIAL AND CANNOT BE COPIED OR DISCLOSED IN WHOLE OR IN PART WITHOUT THE EXPRESS WRITTEN CONSENT OF DOCKING DRAWER, INC.

<b>Docking Drawer</b>	TITLE		MOUNTING DIAGRAM, BLUM LEGRABOX	
	SIZE	DWG. NO.	REV.	
	D	0170-00107	001	
	SCALE	1:2	SHEET	1 OF 4

# Docking Drawer Trio for LEGRABOX M Height Drawers

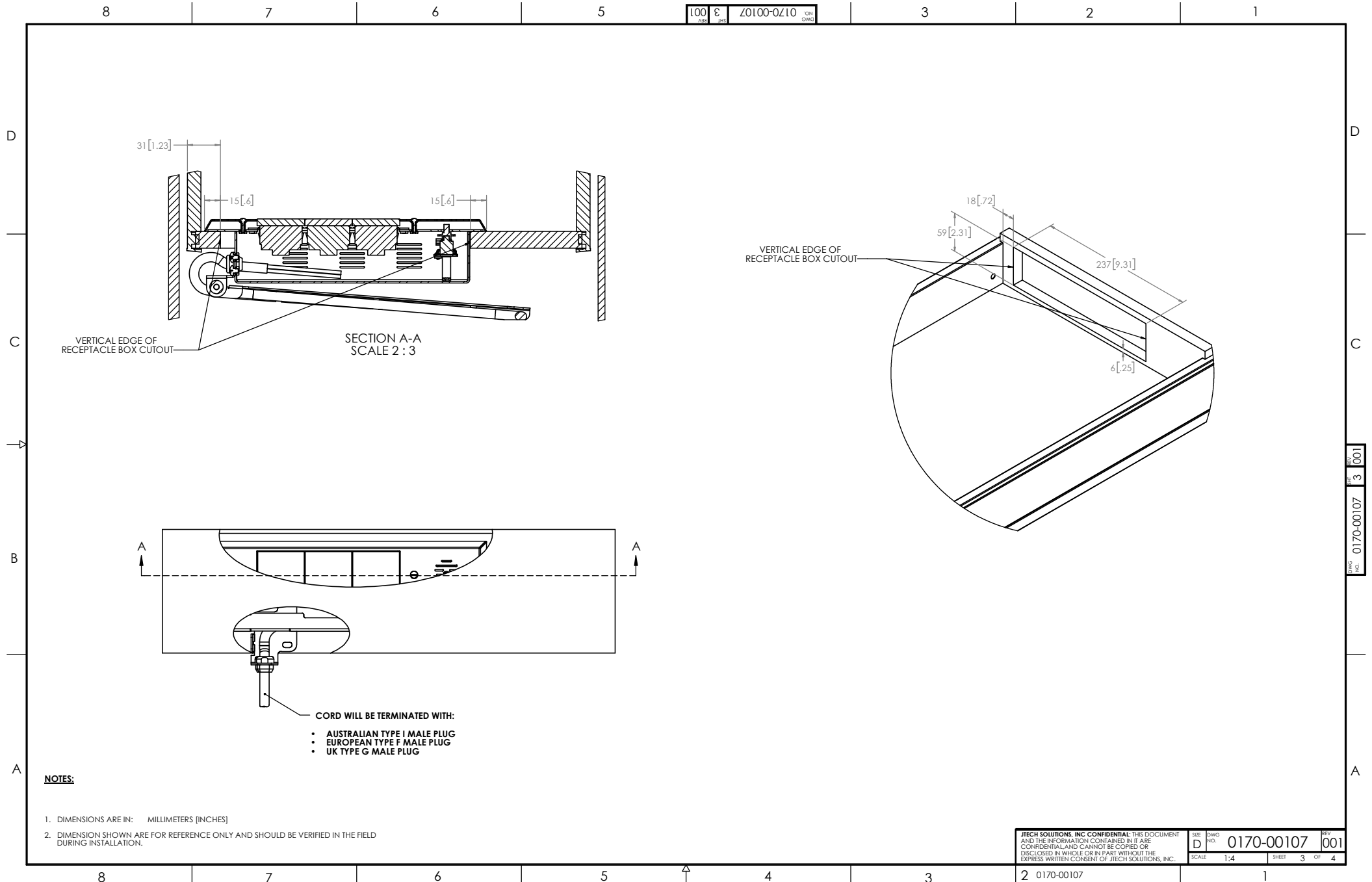


REV 2 001  
PROJ No. 0170-00107

DOCKING DRAWER, INC. CONFIDENTIAL THIS DOCUMENT AND THE INFORMATION CONTAINED IN IT ARE CONFIDENTIAL AND CANNOT BE COPIED OR DISCLOSED IN WHOLE OR IN PART WITHOUT THE EXPRESS WRITTEN CONSENT OF DOCKING DRAWER, INC.		SIZE DWG INC. 0170-00107	REV 001
SCALE 1:2	SHEET 2 OF 4		

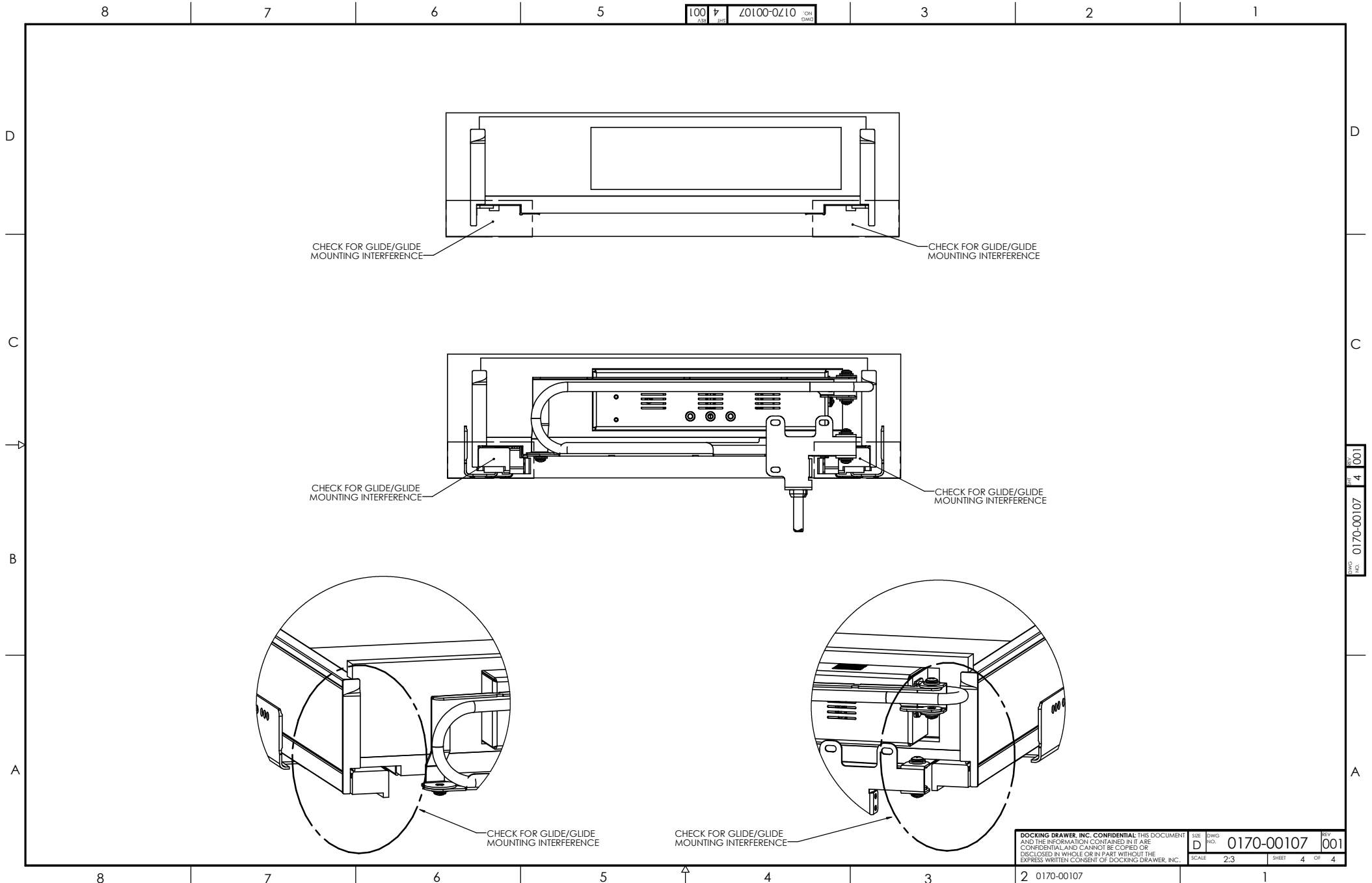
# Docking Drawer Trio for LEGRABOX M Height Drawers

Back to Contents →



# Docking Drawer Trio for LEGRABOX M Height Drawers

Back to Contents →



DWG NO. 0170-00107  
 REV 4  
 001

DOCKING DRAWER, INC. CONFIDENTIAL THIS DOCUMENT AND THE INFORMATION CONTAINED IN IT ARE CONFIDENTIAL AND CANNOT BE COPIED OR DISCLOSED IN WHOLE OR IN PART WITHOUT THE EXPRESS WRITTEN CONSENT OF DOCKING DRAWER, INC.  
 DWG NO. 0170-00107  
 SCALE 2:3  
 SHEET 4 OF 4  
 REV 001

# Docking Drawer Trio for LEGRABOX C, F & K Height Drawers

Back to Contents →

8

7

6

5

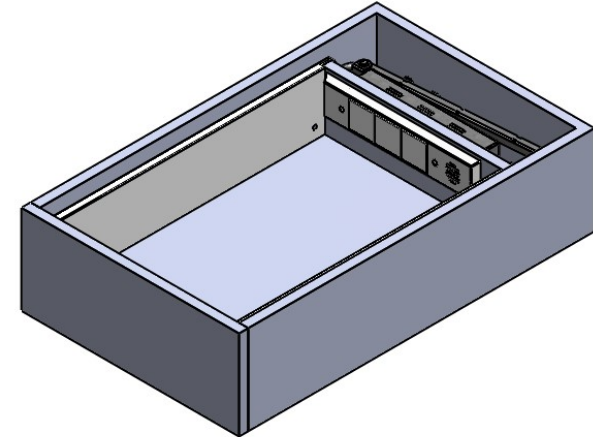
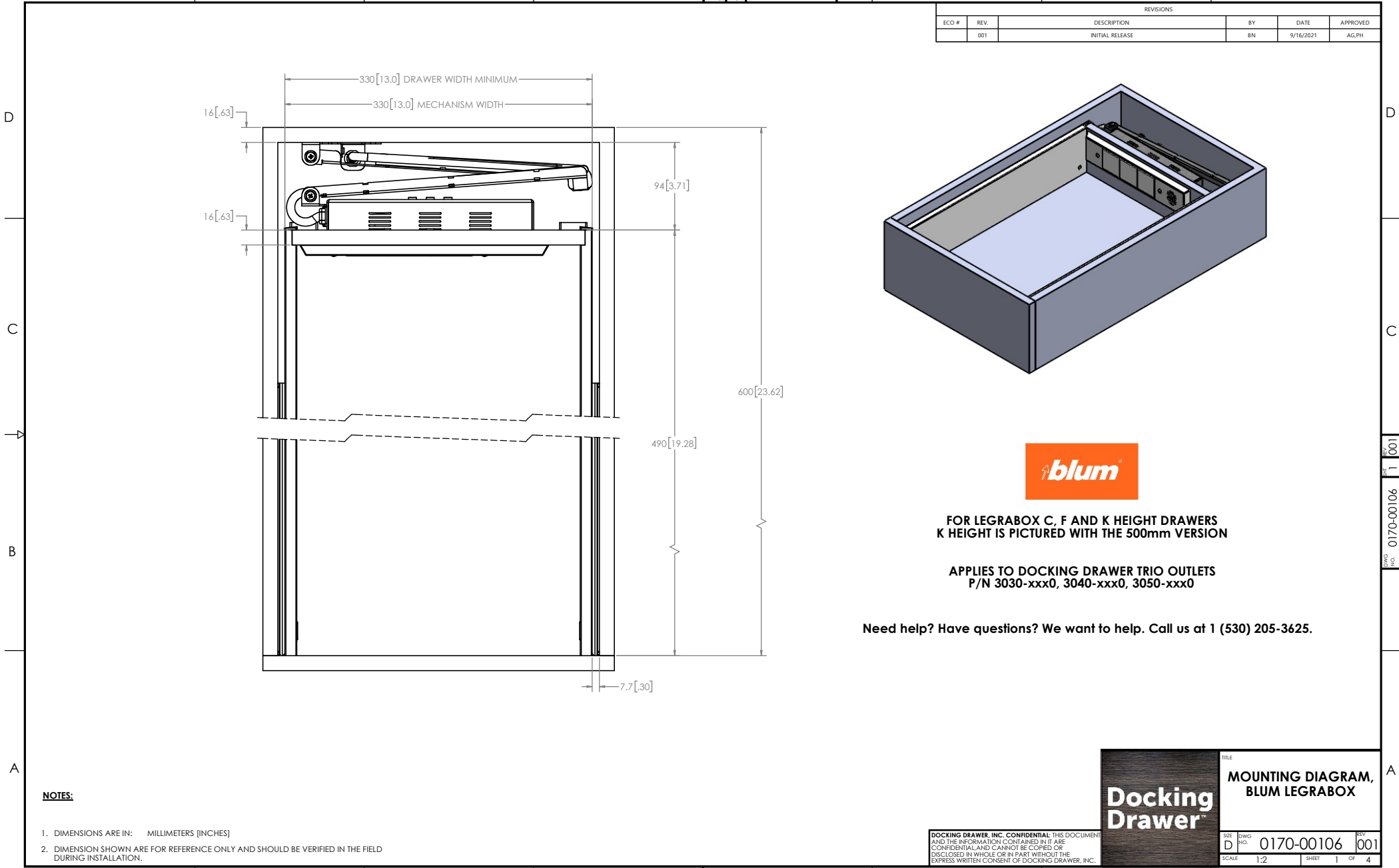
100 1 90100-0210  
A33 115 101 DMG

3

2

1

REVISIONS					
ECO #	REV.	DESCRIPTION	BY	DATE	APPROVED
	001	INITIAL RELEASE	BN	9/16/2021	AG,PH



**FOR LEGRABOX C, F AND K HEIGHT DRAWERS  
K HEIGHT IS PICTURED WITH THE 500mm VERSION**

**APPLIES TO DOCKING DRAWER TRIO OUTLETS  
P/N 3030-xxx0, 3040-xxx0, 3050-xxx0**

**Need help? Have questions? We want to help. Call us at 1 (530) 205-3625.**

**NOTES:**

1. DIMENSIONS ARE IN: MILLIMETERS [INCHES]
2. DIMENSION SHOWN ARE FOR REFERENCE ONLY AND SHOULD BE VERIFIED IN THE FIELD DURING INSTALLATION.

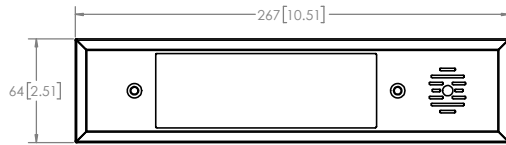
DOCKING DRAWER, INC. CONFIDENTIAL THIS DOCUMENT AND THE INFORMATION CONTAINED IN IT ARE CONFIDENTIAL AND CANNOT BE COPIED OR DISCLOSED IN WHOLE OR IN PART WITHOUT THE EXPRESS WRITTEN CONSENT OF DOCKING DRAWER, INC.

<b>Docking Drawer</b>	FILE	MOUNTING DIAGRAM, BLUM LEGRABOX
	SCALE	1:2
SIZE	D	DWG. NO. 0170-00106
REV	001	SHEET 1 OF 4

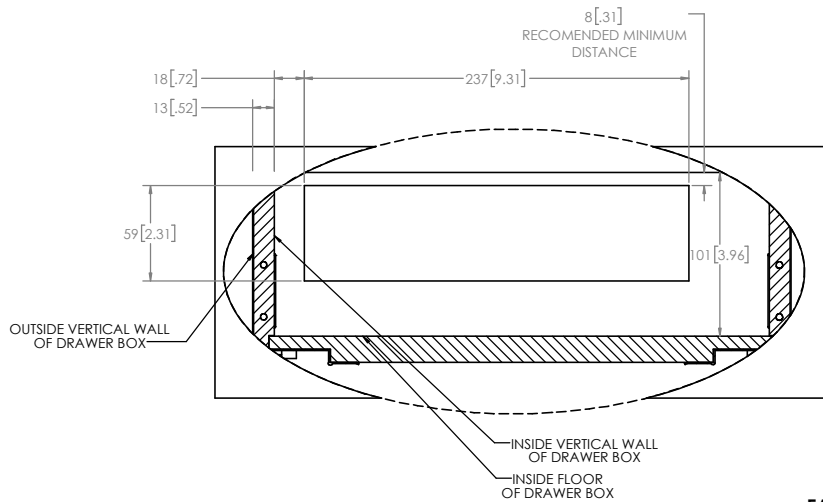
DWG. NO. 0170-00106  
REV. 1 001

# Docking Drawer Trio for LEGRABOX C, F & K Height Drawers

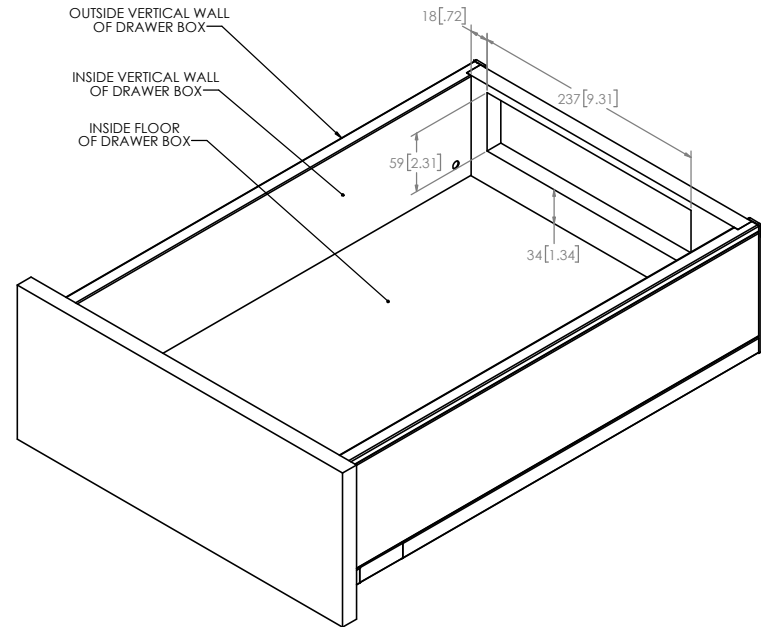
100 2 90100-0210 001  
REV. 2 10/10/10 ON DWG



**OUTLET COVER PLATE DIMENSIONS**



**RECEPTACLE BOX CUTOUT LOCATION  
 (VIEW FROM FRONT FACE OF DRAWER)**



**K HEIGHT DRAWER BOX IS PICTURED  
 C AND F HEIGHT DRAWER BOXES ARE TALLER AND  
 EASILY ACCOMMODATE DOCKING DRAWER TRIO OUTLETS**

**NOTES:**

1. DIMENSIONS ARE IN: MILLIMETERS [INCHES]
2. DIMENSION SHOWN ARE FOR REFERENCE ONLY AND SHOULD BE VERIFIED IN THE FIELD DURING INSTALLATION.

<small>DOCKING DRAWER, INC. CONFIDENTIAL THIS DOCUMENT AND THE INFORMATION CONTAINED HEREIN ARE CONFIDENTIAL AND CANNOT BE COPIED OR DISCLOSED IN WHOLE OR IN PART WITHOUT THE EXPRESS WRITTEN CONSENT OF DOCKING DRAWER, INC.</small>		SIZE: <b>D</b>	DWG. NO.: <b>0170-00106</b>	REV.: <b>001</b>
SCALE: 1:2		SHEET: 2 OF 4		



# Docking Drawer Trio for LEGRABOX C, F & K Height Drawers

Back to Contents →

8

7

6

5

100 90100-0210  
A34 145 104 DMG

3

2

1

D

C

B

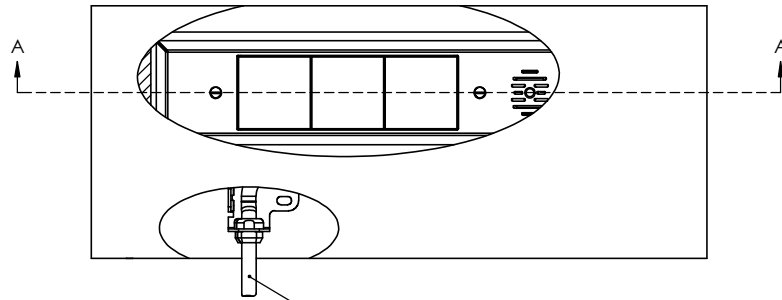
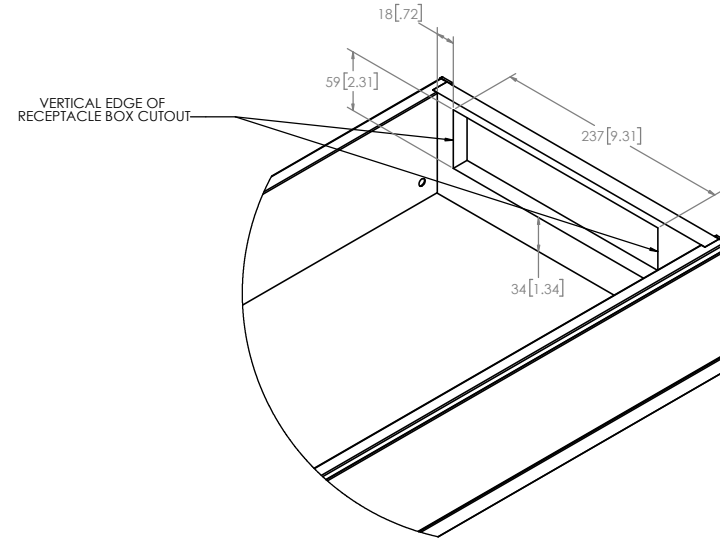
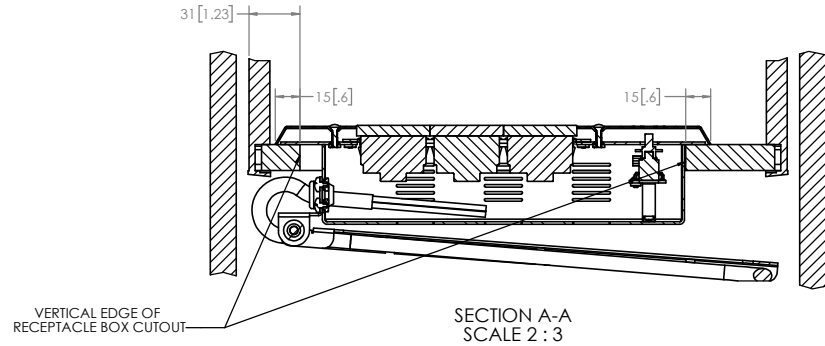
A

D

C

B

A



- CORD WILL BE TERMINATED WITH:
- AUSTRALIAN TYPE I MALE PLUG
  - EUROPEAN TYPE F MALE PLUG
  - UK TYPE G MALE PLUG

**NOTES:**

1. DIMENSIONS ARE IN: MILLIMETERS [INCHES]
2. DIMENSION SHOWN ARE FOR REFERENCE ONLY AND SHOULD BE VERIFIED IN THE FIELD DURING INSTALLATION.

REV 3 001  
DWG NO. 0170-00106

JTECH SOLUTIONS, INC. CONFIDENTIAL THIS DOCUMENT AND THE INFORMATION CONTAINED IN IT ARE CONFIDENTIAL AND CANNOT BE COPIED OR DISCLOSED IN WHOLE OR IN PART WITHOUT THE EXPRESS WRITTEN CONSENT OF JTECH SOLUTIONS, INC.		SIZE: DWG NO. 0170-00106	REV 001
SCALE: 1:4	SHEET 3	OF 4	

8

7

6

5

4

3

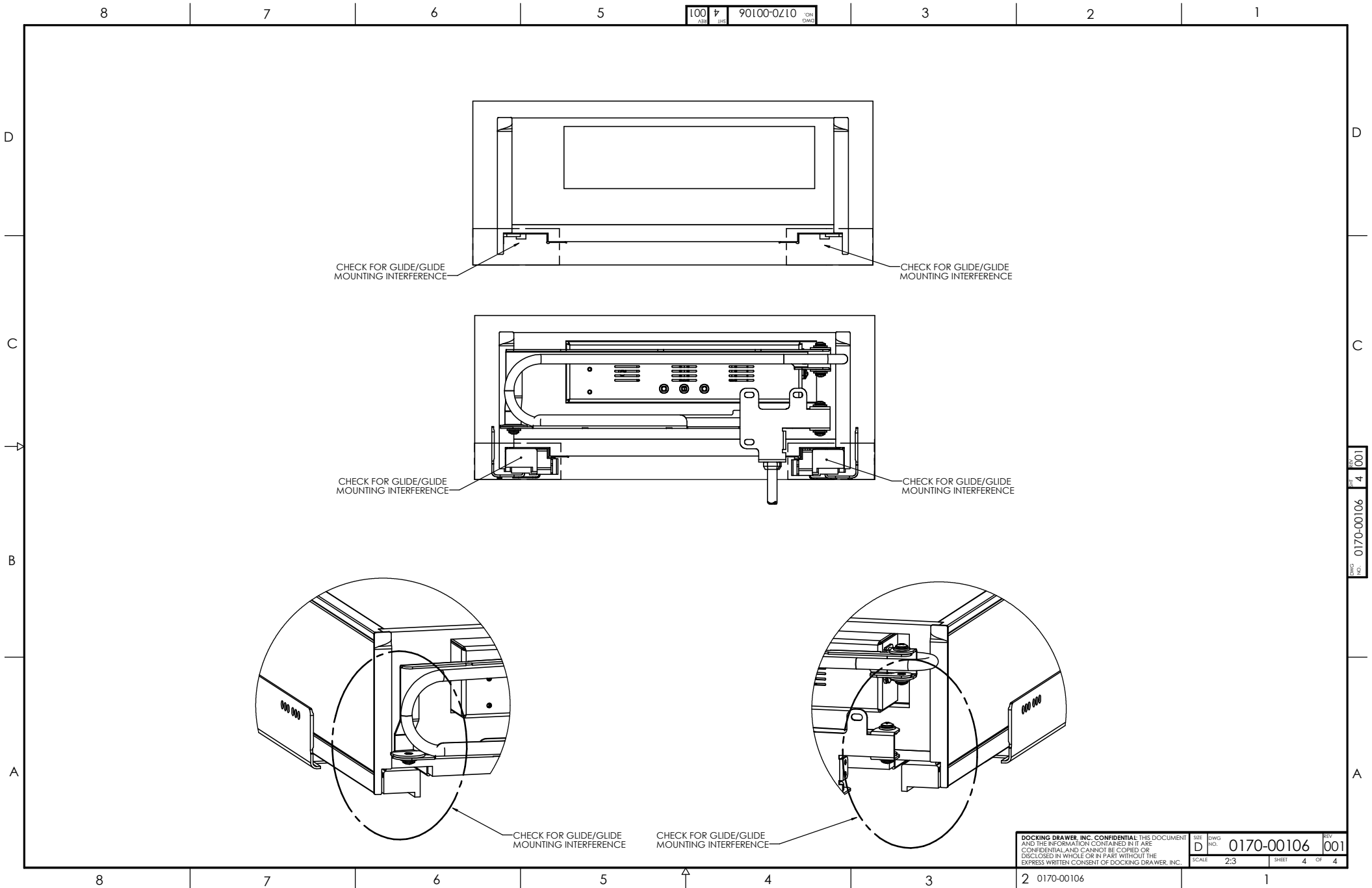
2

0170-00106

1

# Docking Drawer Trio for LEGRABOX C, F & K Height Drawers

Back to Contents →



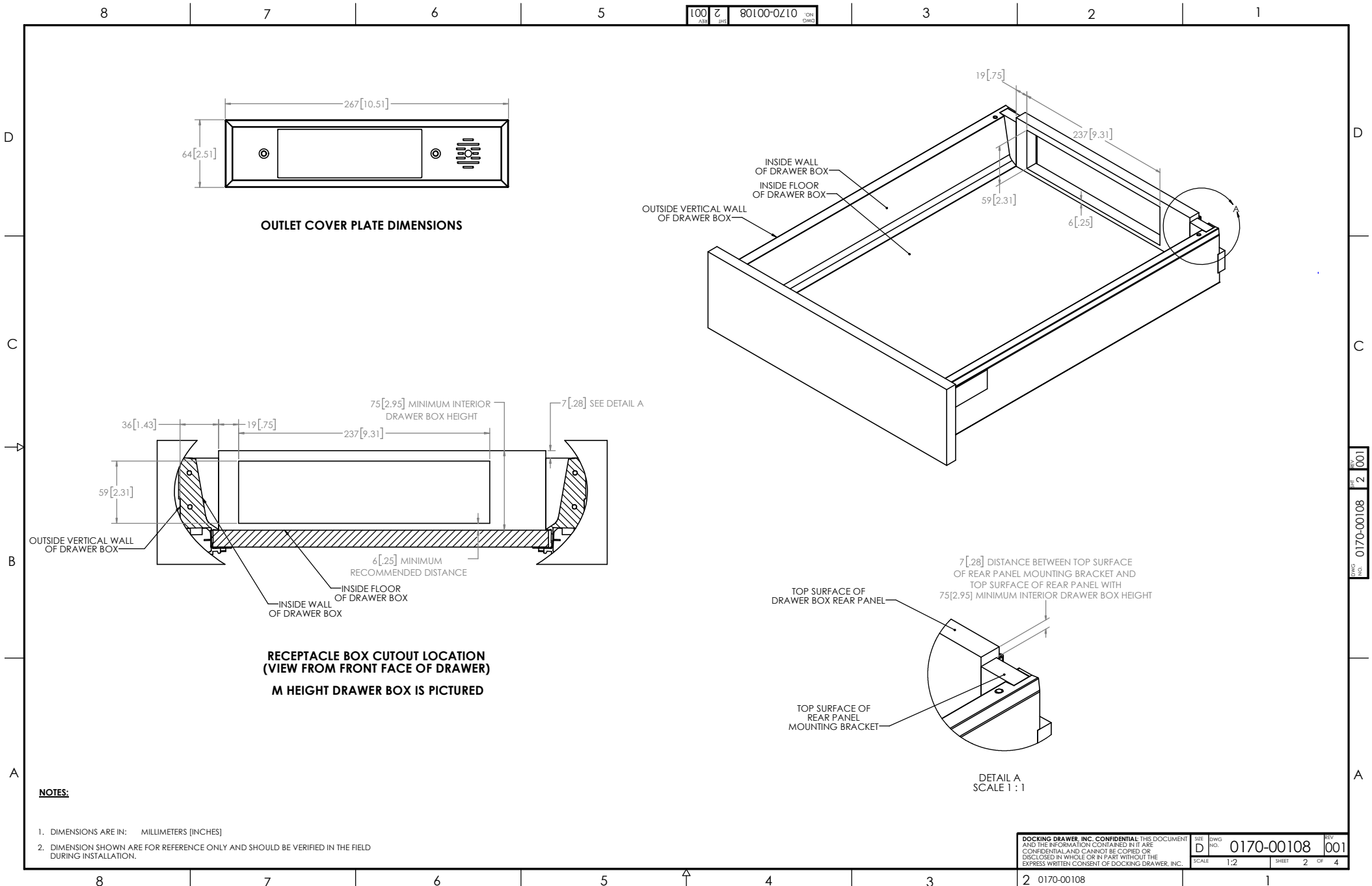
REV 4 001  
DWG NO. 0170-00106

DOCKING DRAWER, INC. CONFIDENTIAL THIS DOCUMENT AND THE INFORMATION CONTAINED IN IT ARE CONFIDENTIAL AND CANNOT BE COPIED OR DISCLOSED IN WHOLE OR IN PART WITHOUT THE EXPRESS WRITTEN CONSENT OF DOCKING DRAWER, INC.

SCALE	2:3	SHEET	4	OF	4
DWG NO.	0170-00106	REV	001		



# Docking Drawer Trio for TANDEMBOX M Height Drawers

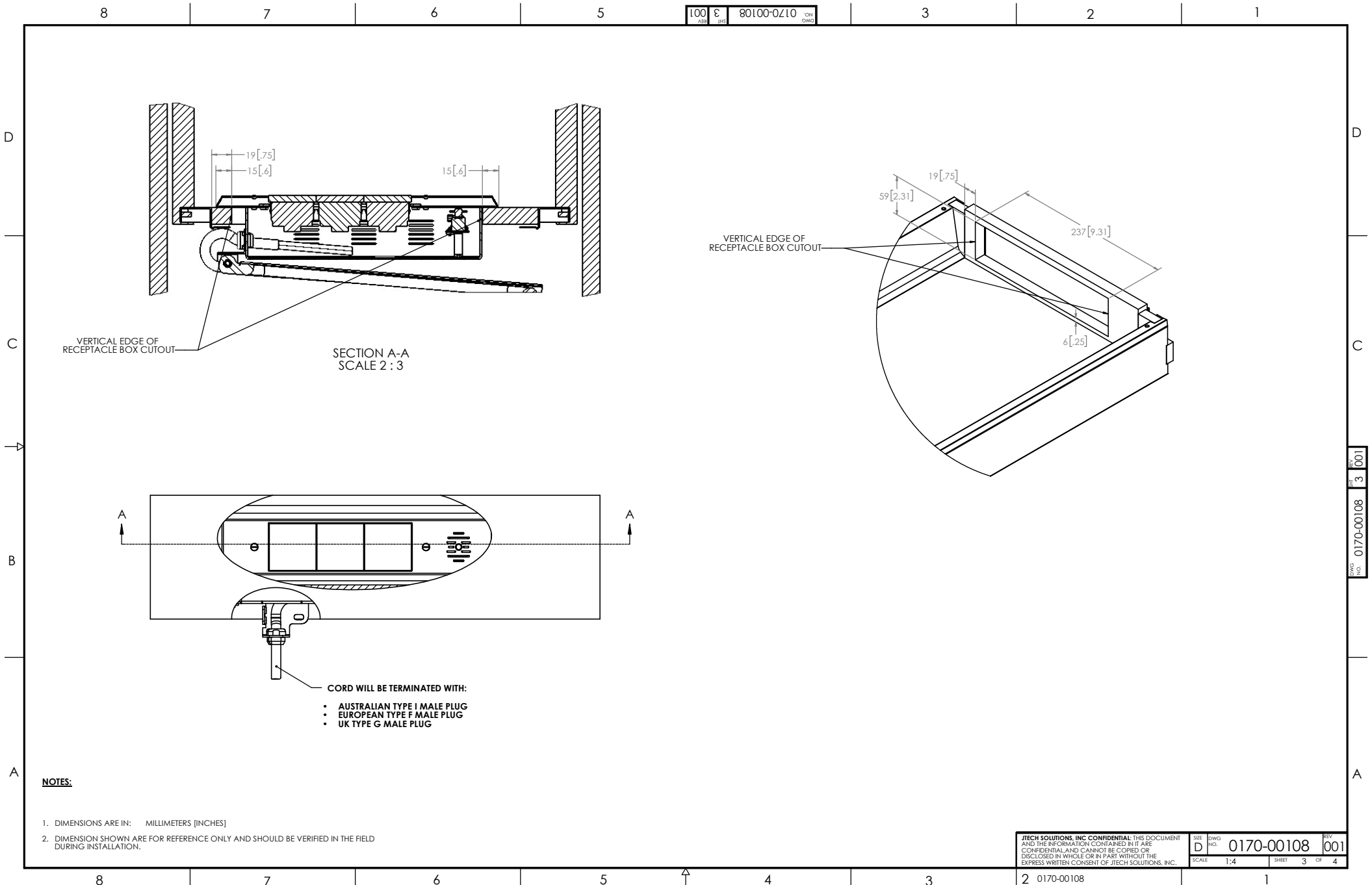


100 2 80100-0210  
A34 215 ONL DMG

REV. 2 001  
DWG. NO. 0170-00108

DOCKING DRAWER, INC. CONFIDENTIAL THIS DOCUMENT AND THE INFORMATION CONTAINED IN IT ARE CONFIDENTIAL AND CANNOT BE COPIED OR DISCLOSED IN WHOLE OR IN PART WITHOUT THE EXPRESS WRITTEN CONSENT OF DOCKING DRAWER, INC.  
SCALE 1:2 SHEET 2 OF 4  
D NO. 0170-00108 REV. 001

# Docking Drawer Trio for TANDEMBOX M Height Drawers

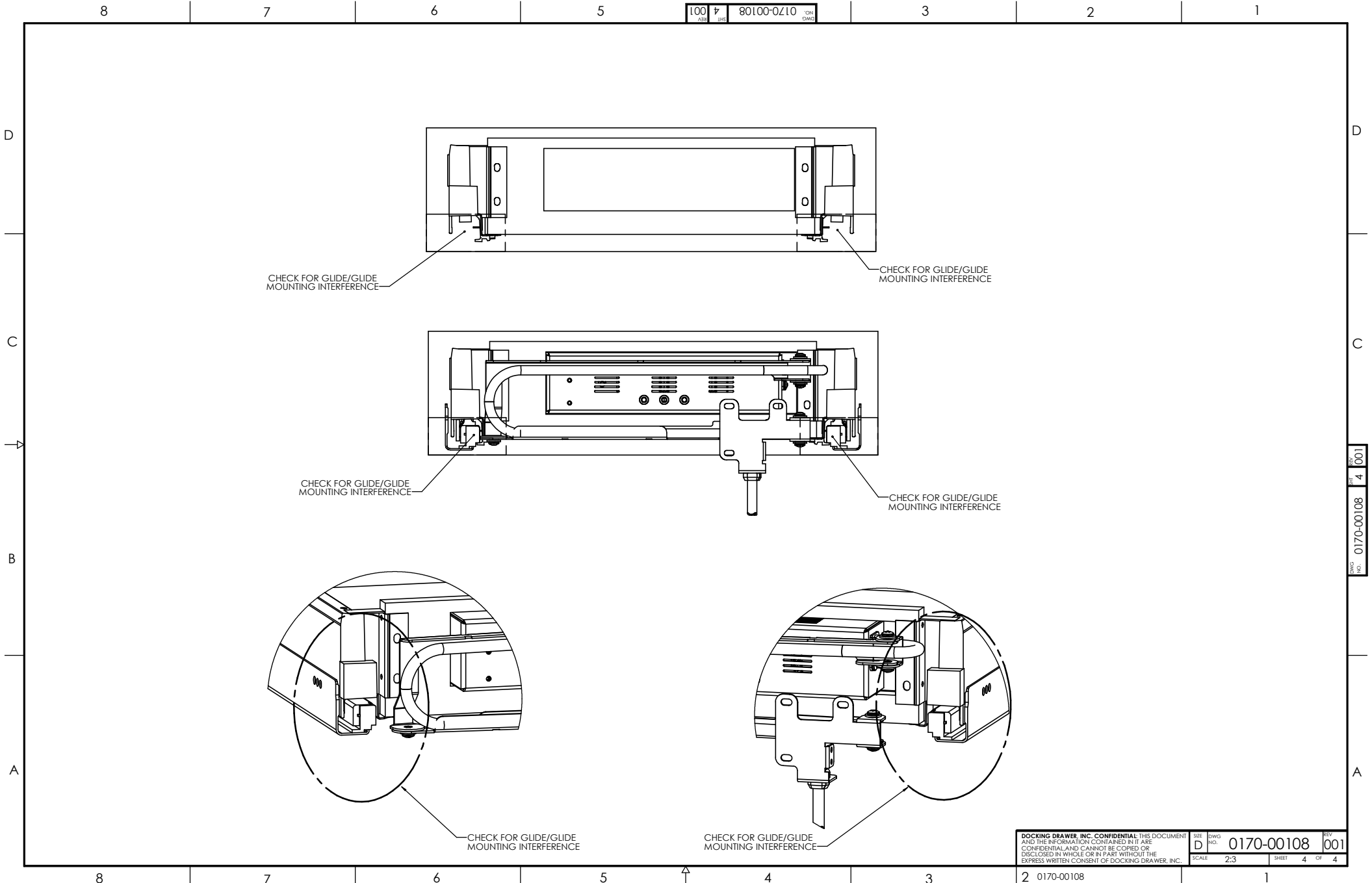


DWG No. 0170-00108 REV 3 001

JTECH SOLUTIONS, INC. CONFIDENTIAL THIS DOCUMENT AND THE INFORMATION CONTAINED IN IT ARE CONFIDENTIAL AND CANNOT BE COPIED OR DISCLOSED IN WHOLE OR IN PART WITHOUT THE EXPRESS WRITTEN CONSENT OF JTECH SOLUTIONS, INC.		SIZE: DWG NO. 0170-00108 REV 001
SCALE: 1:4	SHEET 3 OF 4	

# Docking Drawer Trio for TANDEMBOX M Height Drawers

Back to Contents →



100 4 80100-0210  
A38 115 ON DMG

REV 4 001  
DWG NO. 0170-00108

DOCKING DRAWER, INC. CONFIDENTIAL THIS DOCUMENT AND THE INFORMATION CONTAINED IN IT ARE CONFIDENTIAL AND CANNOT BE COPIED OR DISCLOSED IN WHOLE OR IN PART WITHOUT THE EXPRESS WRITTEN CONSENT OF DOCKING DRAWER, INC.

SIZE	DWG NO.	REV
D	0170-00108	001
SCALE	SHEET	OF
2:3	4	4

2 0170-00108 1

# Docking Drawer Trio for TANDEMBOX C & D Height Drawers

Back to Contents →

8

7

6

5

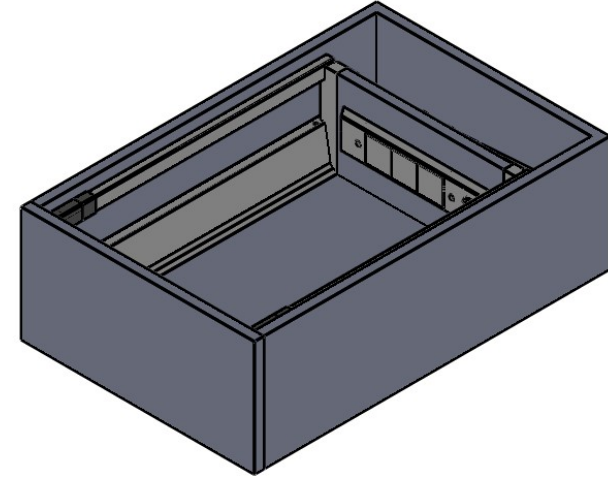
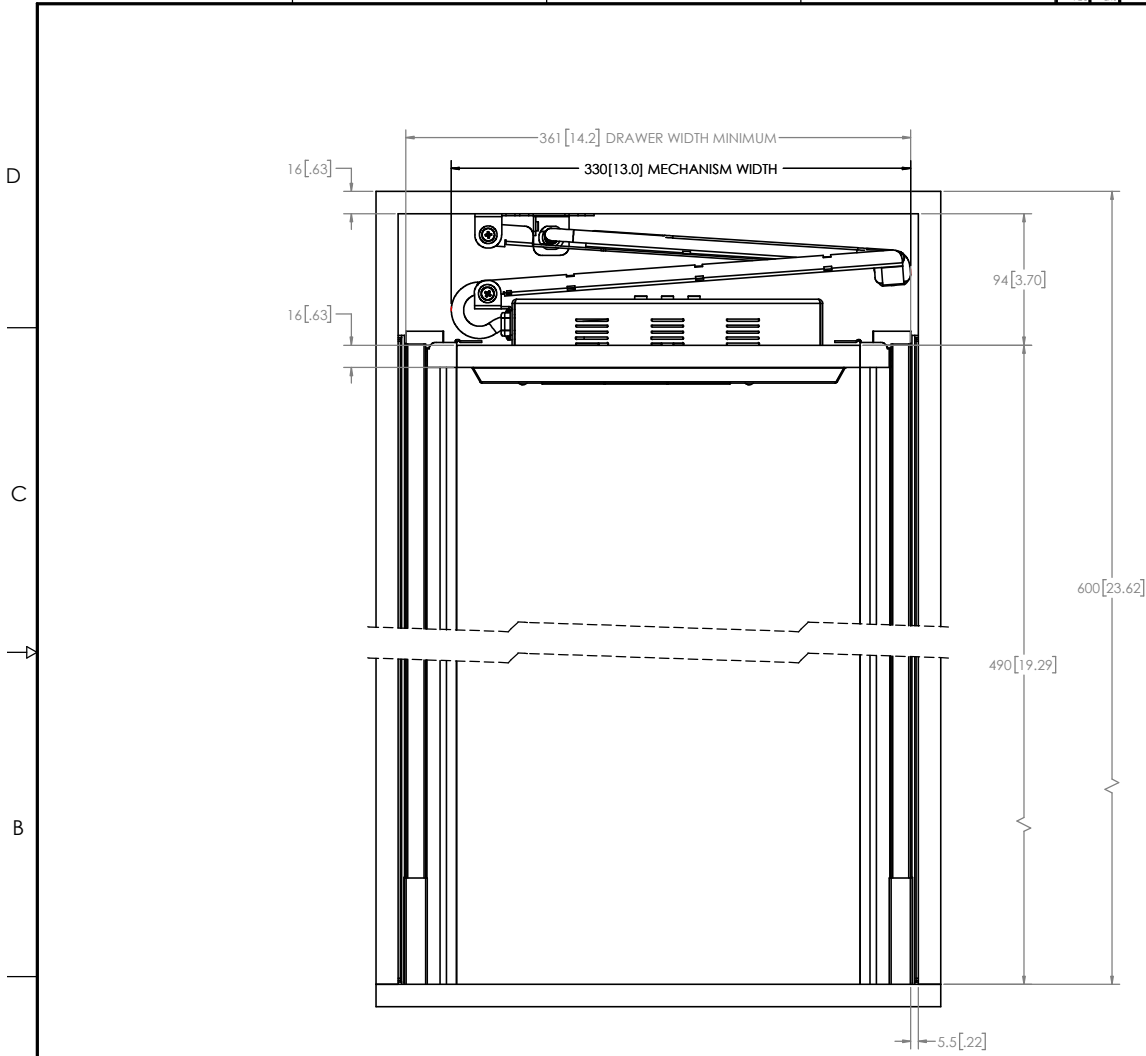
100 1 60100-0210  
A33 115 1001 DMG

3

2

1

REVISIONS					
ECO #	REV.	DESCRIPTION	BY	DATE	APPROVED
	001	INITIAL RELEASE	BN	10/23/2021	AG,PH



FOR TANDEMBOX C AND D HEIGHT DRAWERS  
PICTURED WITH THE 500mm VERSION

APPLIES TO DOCKING DRAWER TRIO OUTLETS  
P/N 3030-xxx0, 3040-xxx0, 3050-xxx0

Need help? Have questions? We want to help. Call us at 1 (530) 205-3625.

**NOTES:**

1. DIMENSIONS ARE IN: MILLIMETERS [INCHES]
2. DIMENSION SHOWN ARE FOR REFERENCE ONLY AND SHOULD BE VERIFIED IN THE FIELD DURING INSTALLATION.

DOCKING DRAWER, INC. CONFIDENTIAL THIS DOCUMENT AND THE INFORMATION CONTAINED IN IT ARE CONFIDENTIAL AND CANNOT BE COPIED OR DISCLOSED IN WHOLE OR IN PART WITHOUT THE EXPRESS WRITTEN CONSENT OF DOCKING DRAWER, INC.

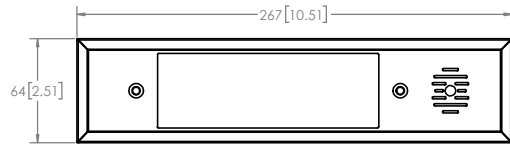
<b>Docking Drawer</b>	FILE	<b>MOUNTING DIAGRAM, BLUM TANDEMBOX</b>	
	SCALE	1:2	SHEET 1 OF 4
D	DWG. NO.	0170-00109	REV. 001

DWG. No. 0170-00109

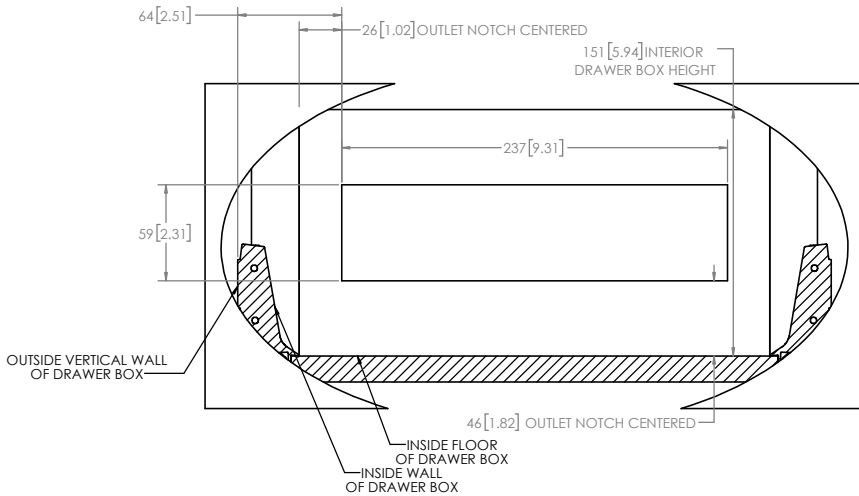
A

# Docking Drawer Trio for TANDEMBOX C & D Height Drawers

100 2 60100-0210 001  
APP 1/15 DWG

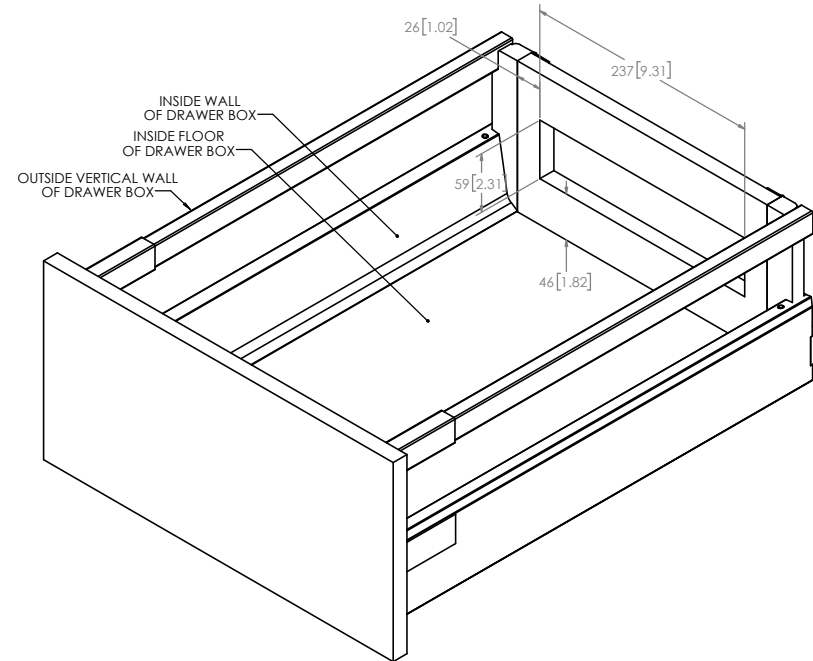


**OUTLET COVER PLATE DIMENSIONS**



**RECEPTACLE BOX CUTOUT LOCATION  
 (VIEW FROM FRONT FACE OF DRAWER)**

**C HEIGHT DRAWER BOX IS PICTURED**



**C HEIGHT DRAWER BOX IS PICTURED**

**D HEIGHT DRAWER BOX IS TALLER AND  
 EASILY ACCOMODATES DOCKING DRAWER TRIO OUTLETS**

**NOTES:**

1. DIMENSIONS ARE IN: MILLIMETERS [INCHES]
2. DIMENSION SHOWN ARE FOR REFERENCE ONLY AND SHOULD BE VERIFIED IN THE FIELD DURING INSTALLATION.

DOCKING DRAWER, INC. CONFIDENTIAL THIS DOCUMENT AND THE INFORMATION CONTAINED IN IT ARE CONFIDENTIAL AND CANNOT BE COPIED OR DISCLOSED IN WHOLE OR IN PART WITHOUT THE EXPRESS WRITTEN CONSENT OF DOCKING DRAWER, INC.

SIZE	DWG NO.	REV
D	0170-00109	001
SCALE	1:2	SHEET 2 OF 4

DWG NO. 0170-00109 REV. 2 001



# Docking Drawer Trio for TANDEMBOX C & D Height Drawers

Back to Contents →

8

7

6

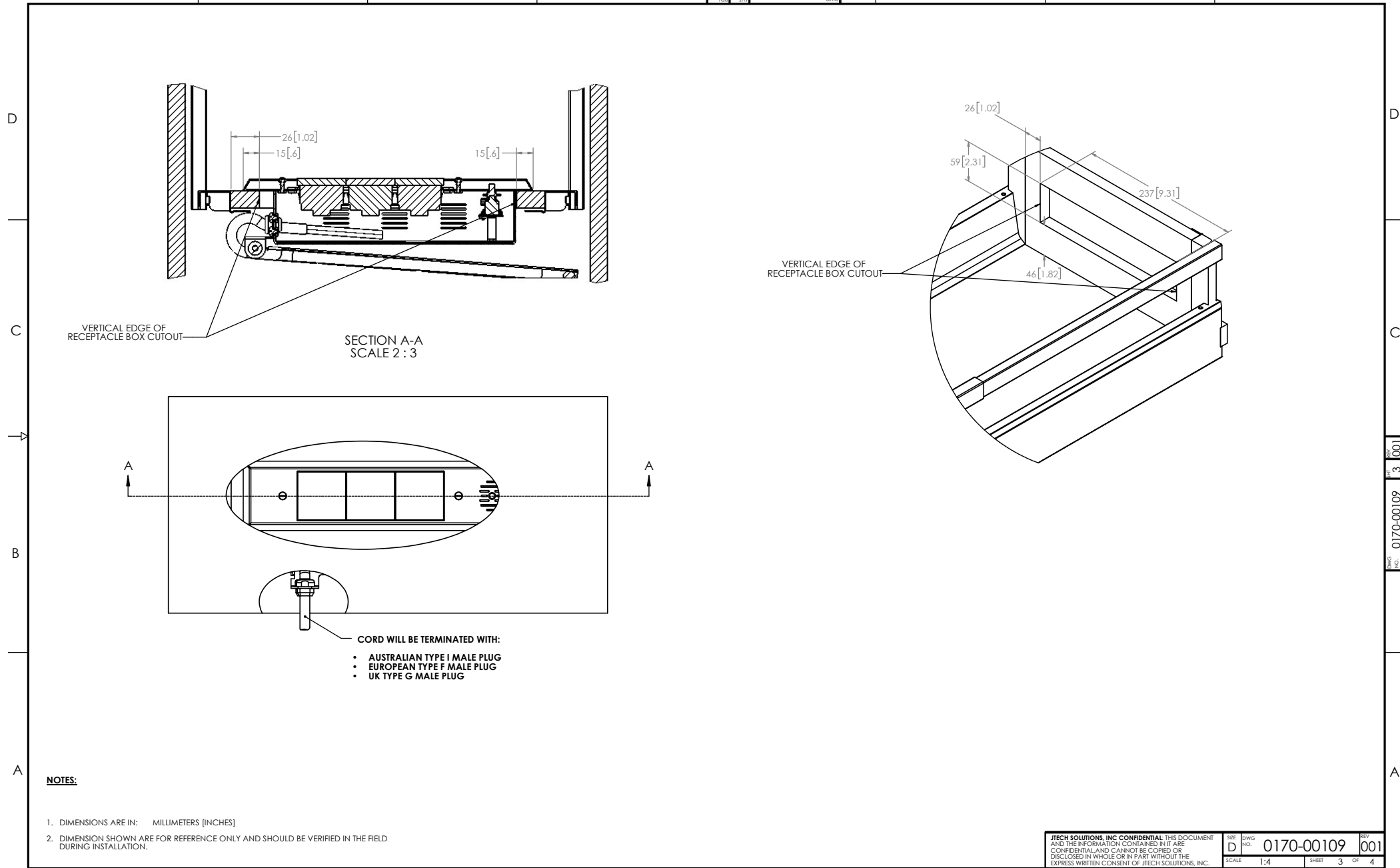
5

100 60100-0210  
A34 145 041 DMG

3

2

1



8

7

6

5

4

3

2

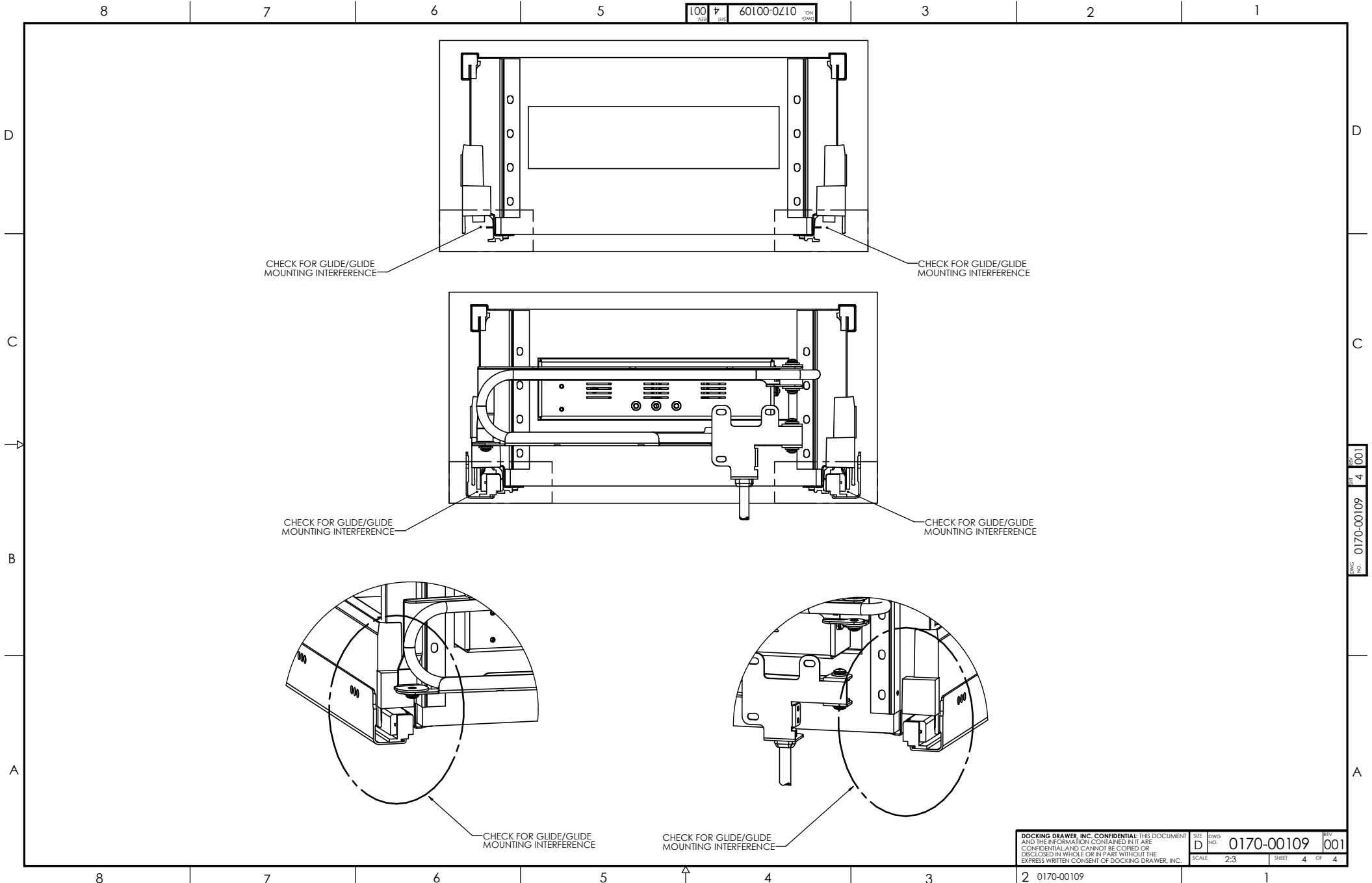
0170-00109

1

DWG NO. 0170-00109 REV. 3 001

# Docking Drawer Trio for TANDEMBOX C & D Height Drawers

Back to Contents →



REV 4 001  
DWG NO. 0170-00109