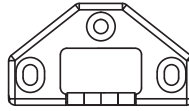


X1



3*16

X2



**STRIKING
PLATE**

X1



3*16

X3

**LOCK
HOUSING**



PROGRAMMING CARD

X1



USER CARD

X2

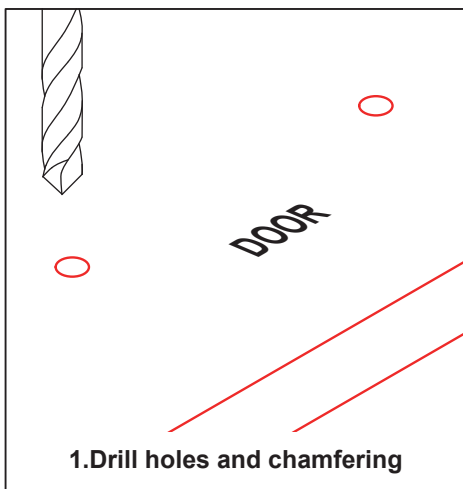
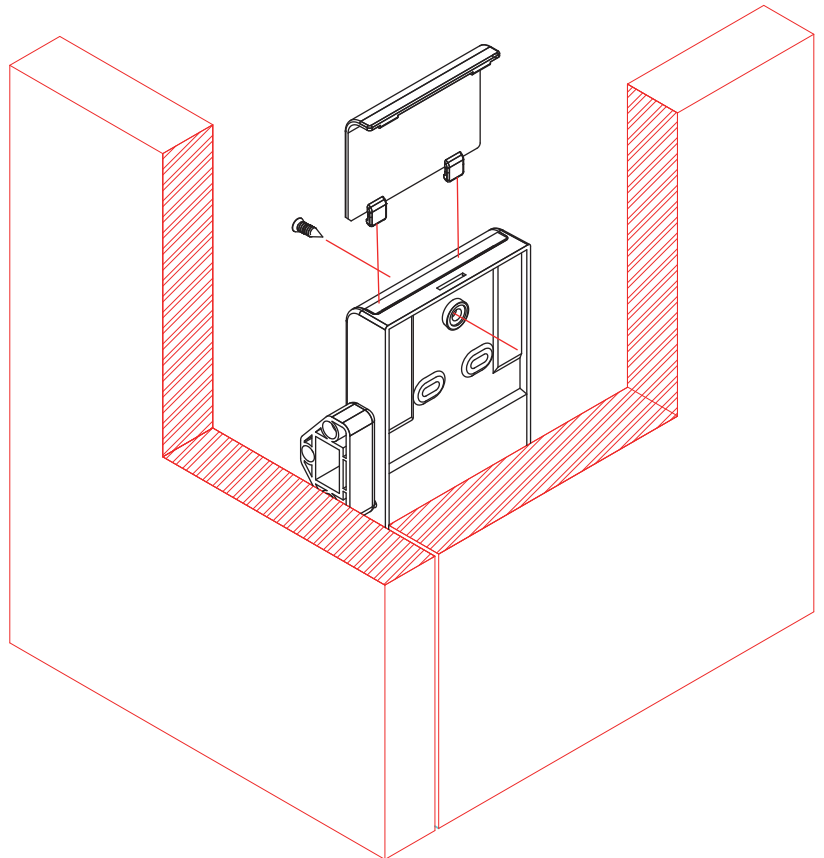
**INSTALLATION
SHEET**

**INSTRUCTION
MANUAL**

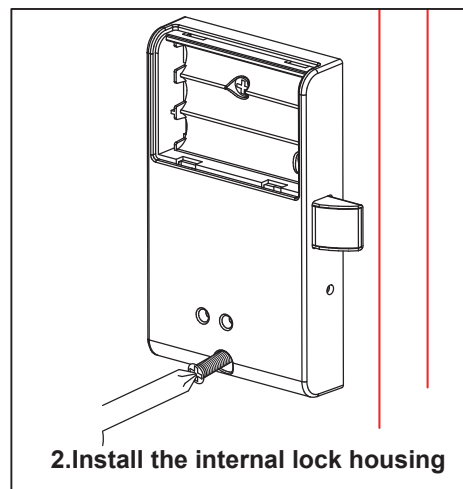
INSTALLATION DIAGRAM

SDWS-001A

FOR THICKNESS 15-30 MM



1. Drill holes and chamfering

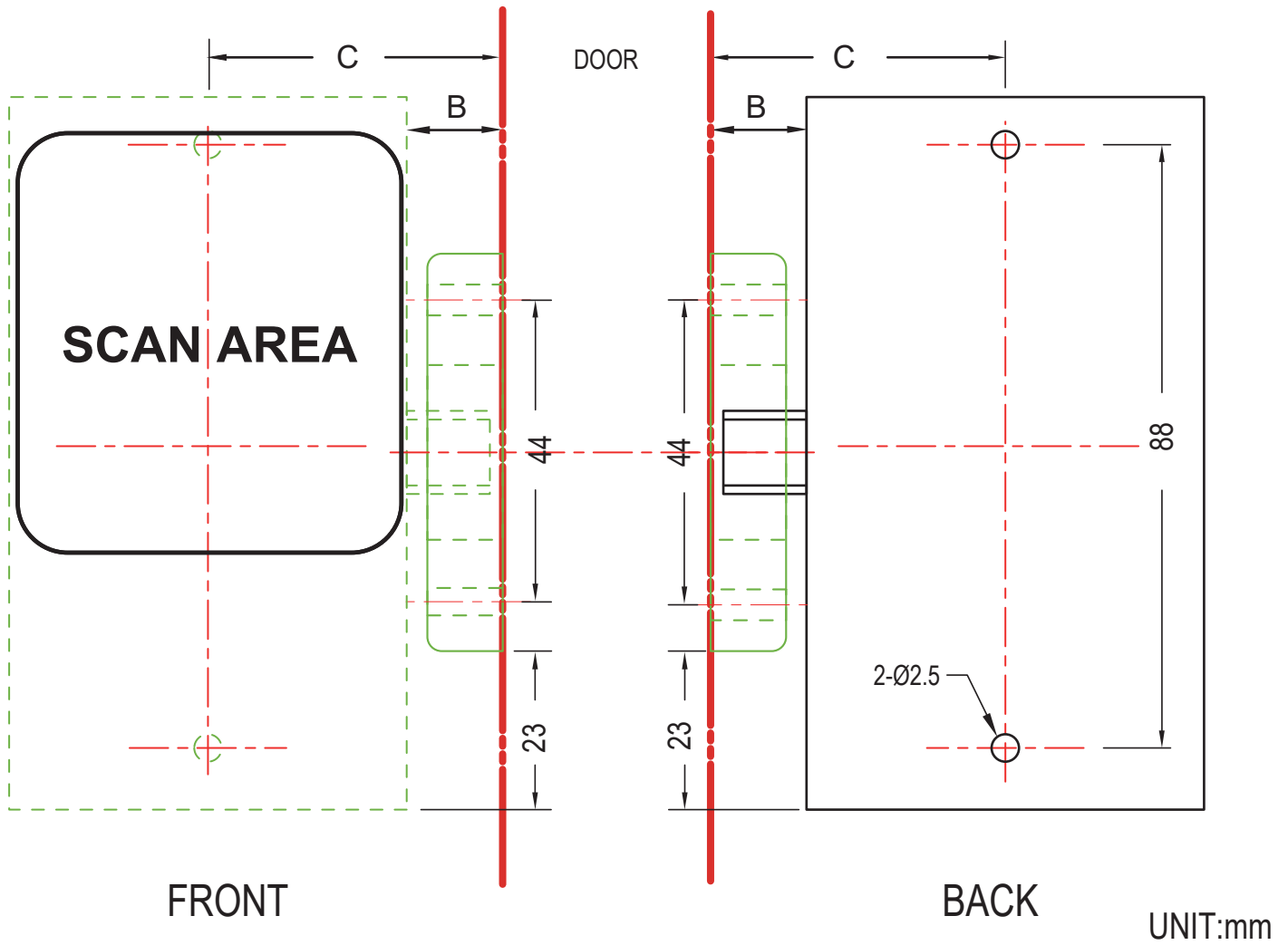


2. Install the internal lock housing

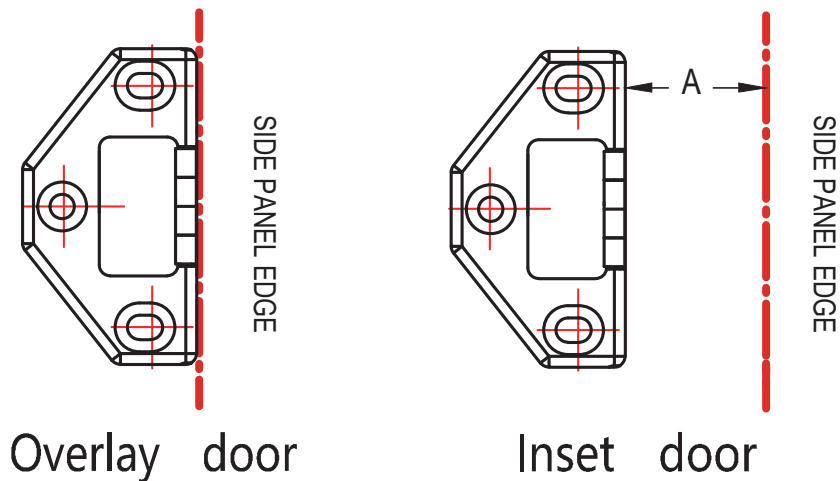
LEFT DOOR

CODE	INSET DOOR	OVERLAY DOOR
B	14mm	14mm+A
C	43mm	43mm+A

A= THICKNESS OF DOOR



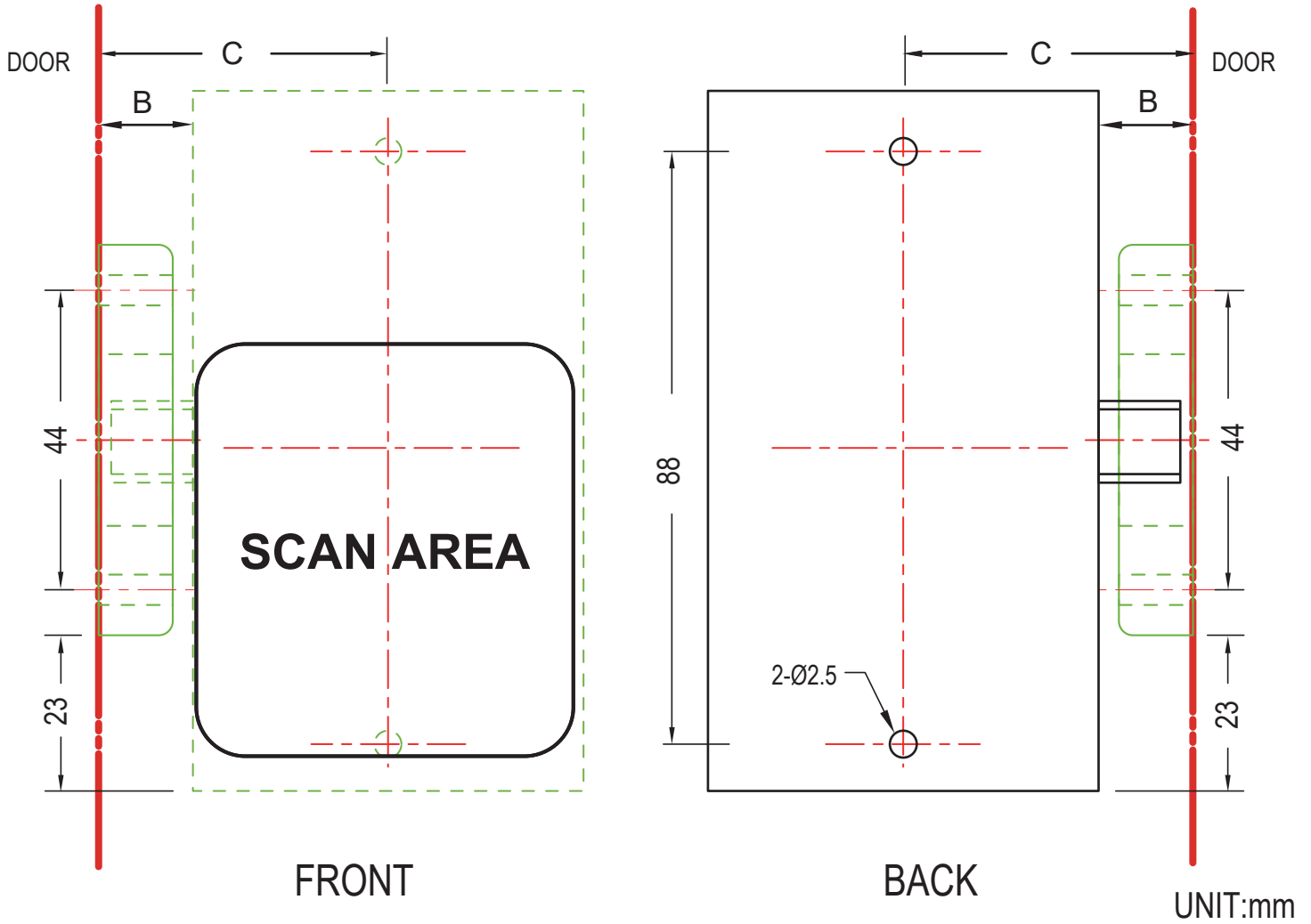
LEFT DOOR STRIKING PLATE



RIGHT DOOR

CODE	INSET DOOR	OVERLAY DOOR
B	14mm	14mm+A
C	43mm	43mm+A

A= THICKNESS OF DOOR



RIGHT DOOR STRIKING PLATE

