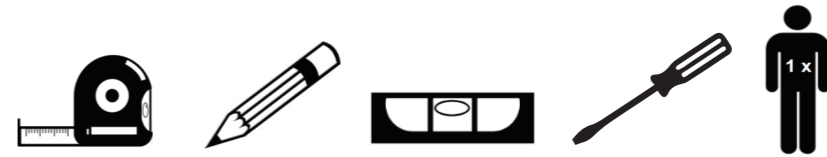


Wesco Pullboy Z MERIVOBX

Assembly Instructions

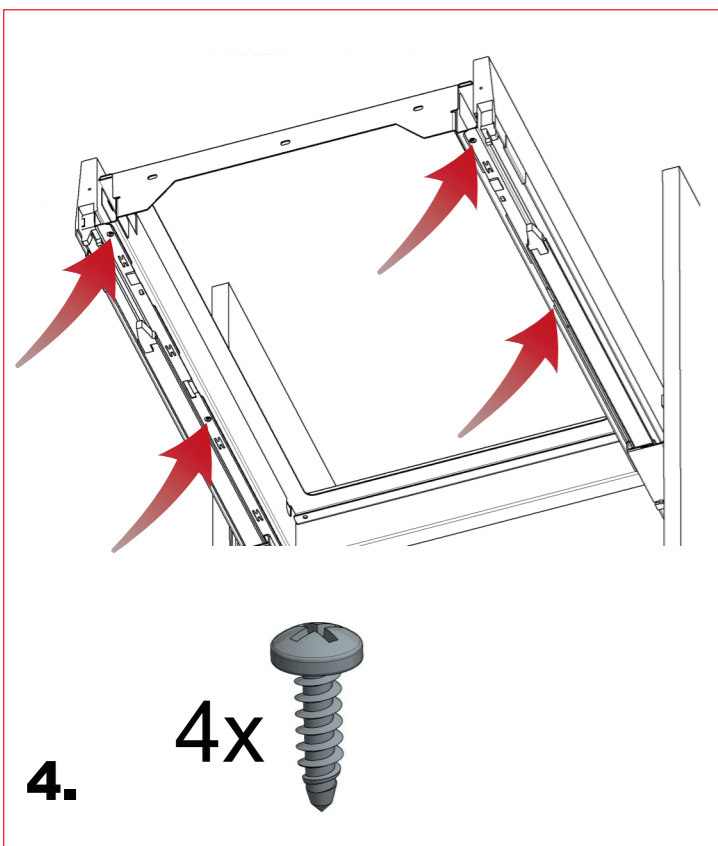
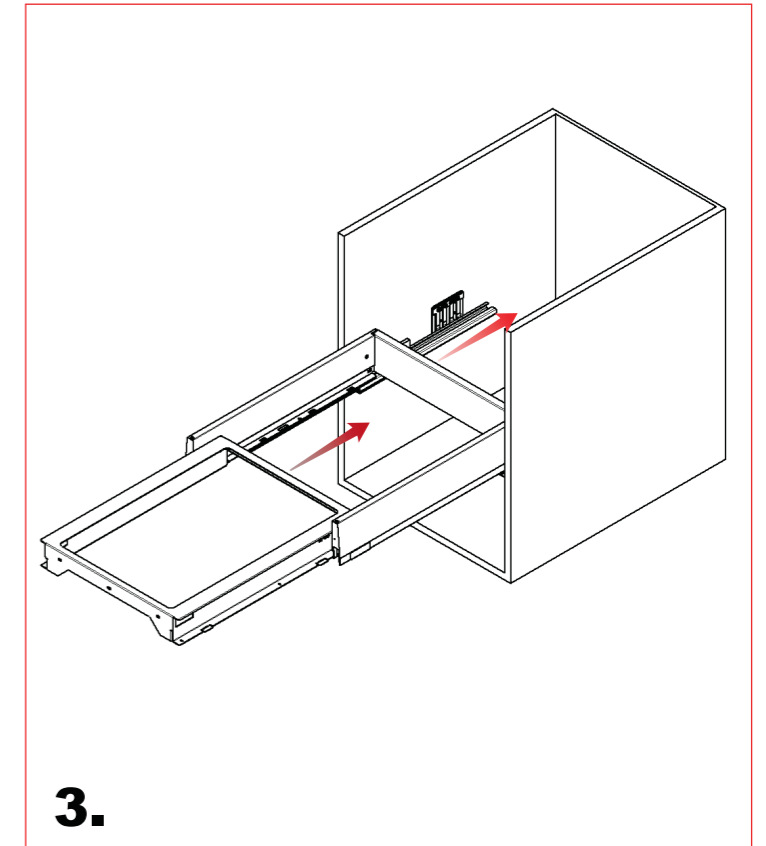


1.

Total installation height (=Y + 70mm)	
Bin	Z
8 L	325 mm
17 L	325 mm
26 L	470 mm
29 L	500 mm
42 L	535 mm
40 L	565 mm
32 L	570 mm

2.

Heighest Bin mm		mind. Y mm
295	8 L	255
295	17 L	255
430	26 L	400
460	29 L	430
495	42 L	465
505	40 L	495
530	32 L	500



5.

dimension A= cabinet width (mm) - 2x wall thickness (mm) - 41mm

z.B. 450mm - 2x16mm - 41mm =377mm

Maß H = Maß Y + protrusion - 20

