



KIA ORA DRAWER SLIDES

Specifications

kia ora

wilson
&bradley

KIA ORA SOFT CLOSING FULL EXTENSION SIDE MOUNT STANDARD DRAWER SLIDES

Width: 45.7mm

Thickness: 12.7mm

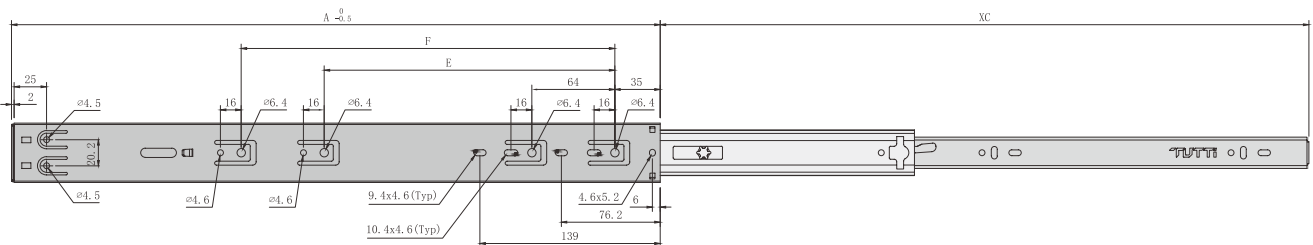
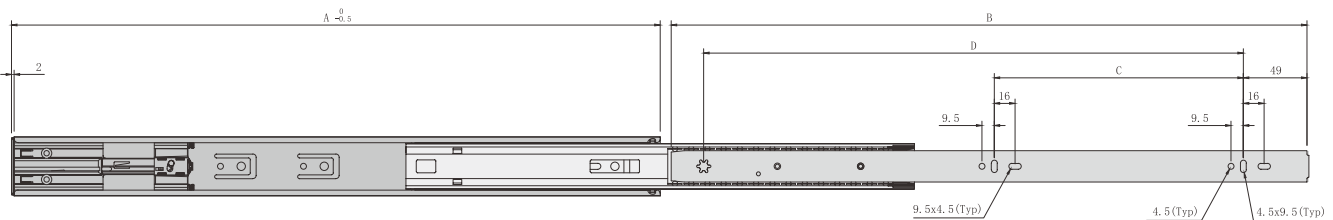
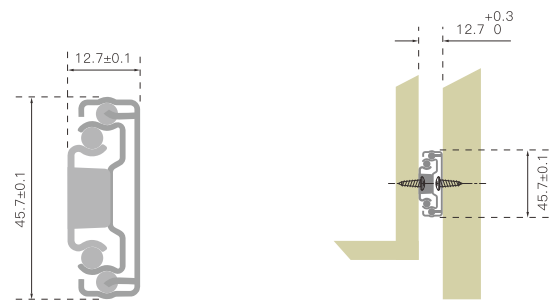
Length: 300–550mm

Loading capacity: 35kg 18"

Finishing: black spray; zinc plated

Material thickness: 1.2x1.2x1.5mm

Packing: 15 pairs/carton



Item No.	Specification	A	Hole pattern					
			B	C	D	E	F	XC
300mm	12"	300	290	64	224			255
350mm	14"	350	340	96	256	128		340
400mm	16"	400	390	128	320	192		400
450mm	18"	450	440	160	352	224		450
500mm	20"	500	490	192	416	256		500
550mm	22"	550	540	224	448	224	320	550

KIA ORA FULL EXTENSION SIDE MOUNT STANDARD DRAWER SLIDES

Width: 45.7mm

Thickness: 12.7mm

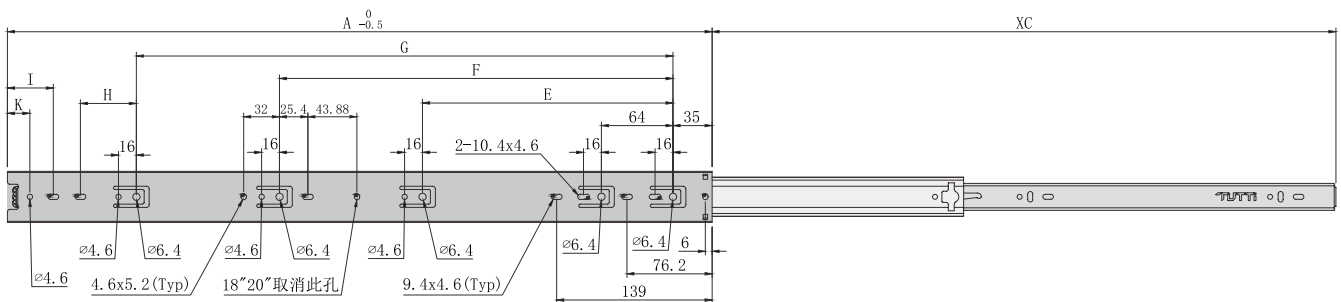
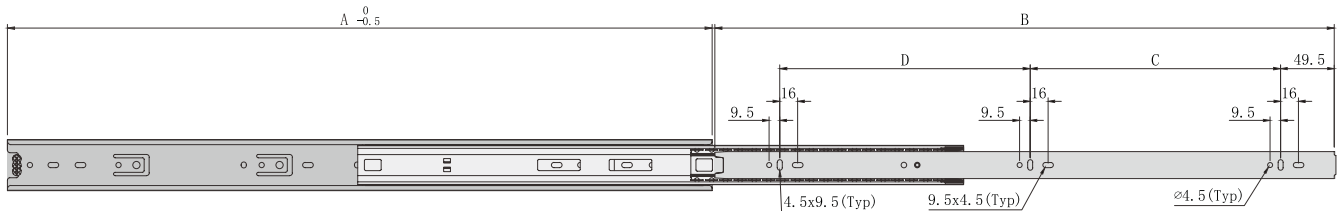
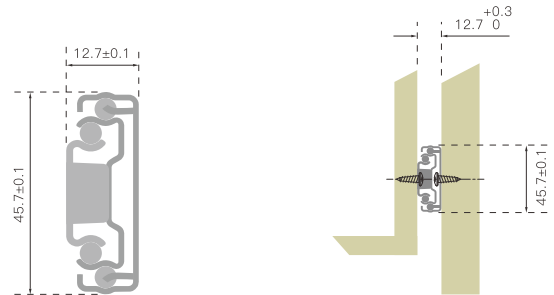
Length: 200–600mm

Loading capacity: 45kg 18"

Finishing: black spray; zinc plated

Material thickness: 1.2x1.2x1.5mm

Packing: 15 pairs/carton



Item No.	Specification	A	Hole pattern									
			B	C	D	E	F	G	H	I	K	XC
300	12"	300	295	96	128	224	352	228	416	50	20	300
350	14"	350	345	128	128							350
400	16"	400	395	160	160							400
450	18"	450	445	160	192							450
500	20"	500	495	192	224							500
550	22"	550	545	224	224	550						