



LEGRABOX

Experience Elegance

blum.com

 **blum**[®]

Content

4 LEGRABOX

- 6 Technology
- 12 Design
- 14 LEGRABOX pure
- 16 LEGRABOX free
- 20 Programme
- 22 Assembly and installation

24 AMBIA-LINE

- 26 Design
- 28 Programme

30 Applications

- 32 DYNAMIC SPACE
- 34 Cabinet Solutions
- 36 Modern living

42 Services for the manufacturer

44 Practical assistance

38 Order specification

- 46 LEGRABOX
- 70 Cabinet Solutions
- 84 AMBIA-LINE

92 Blum



LEGRABOX

Sophisticated, simple and slim. Experience elegance with LEGRABOX, the new box system from Blum. The elegant box system is unprecedented in its level of performance and is characterised by a slim design with straight lines and a particularly high quality of motion. LEGRABOX leads the way with revolutionary technology, functionality and design.



> View LEGRABOX film
www.blum.com/trailerlegrabox

LEGRABOX pure

Superior in quality and design, LEGRABOX pure offers an elegant, high class solution for drawers and pull-outs.



LEGRABOX free

Extending the design options available for LEGRABOX pull-outs is LEGRABOX free offering freedom to individualise furniture interiors.



AMBIA-LINE

AMBIA-LINE offers various options for organising the interior of kitchens and furniture. The inner dividing system is characterised by its narrow frame design complementing LEGRABOX in colour and style.



Fascinating technology

The LEGRABOX cabinet profile exemplifies technology. The completely new runner system provides even greater quality of motion and combines a simple design with excellent runner performance. The innovative runner system offers greater ease of use with minimal opening forces and a synchronised smooth running action from the very first millimetre.

 blum

Full carrying capacity

LEGRABOX performs outstandingly even when fully extended and heavily loaded. The high dynamic carrying capacity of 40kg and 70kg provides a wide range of design freedom such as very wide and heavy pull-outs. Thanks to low sag values, solutions with pull-outs positioned at the base of the cabinet are possible.



Stability for high fronts

Extra high fronts that conceal inner drawers and pull-outs are becoming more and more significant as a design element. LEGRABOX supports this design trend with a new type of front fixing bracket that guarantees maximum stability when opening and closing.





> View assembly film
[www.blum.com/
assemblylegrabox](http://www.blum.com/assemblylegrabox)



Easy assembly

The new LEGRABOX front fixing bracket enables fast and above all safe assembly and removal. You just need to place the front in its holding position and it will easily clip into place. The front can even be easily assembled on a pull-out that has already been installed. The 3-dimensional front adjustment positioned on the interior of the drawer side, provides a constant front positioning when closed and a highly constant gap design, irrespective of the front dimension.

 **blum**



Height and side adjustment

For an attractive gap design, the height (+/- 2 mm) and sides (+/- 1.5 mm) can be adjusted with precision using Torx screws.



Tilt adjustment

LEGRABOX can be easily adjusted in three dimensions. NEW: The tilt adjustment is very convenient to perform thanks to its position at the rear on the inside of the drawer side and can be done for drawers as well as pull-outs.



Easy removal

Thanks to the holding position, even very wide fronts can easily be removed by one person alone.

Impressive ease of use

Quality of motion is the driving force behind the entire development and manufacturing of Blum products. LEGRABOX drawers and pull-outs open, move and close effortlessly making furniture easier to operate and provides a higher level of practicality and comfort.

blum



BLUMOTION

BLUMOTION soft-close technology is integrated into the cabinet profile and adapts itself to the size, weight and speed of the closing furniture.



SERVO-DRIVE

With SERVO-DRIVE electrical motion support, a light touch on the handle-less front or a gentle pull on the handle opens furniture. SERVO-DRIVE is compatible with BLUMOTION soft-close, enhancing comfort and freedom of motion.



TIP-ON BLUMOTION

Offering functional opening and closing support for handle-less furniture is TIP-ON BLUMOTION, our 100% mechanical opening and soft closing support system. This technology combines two competing forces and makes for a completely harmonious experience when operating drawers and pull-outs.



Seamless transitions

The new LEGRABOX design supports current living trends. With a selection of four finishes available and four heights to choose from, the box system opens up a wide range of design options. All components of LEGRABOX are perfectly coordinated with one another and form harmonious transitions.



Slimline design

At 12.8mm and straight on the inside and outside, the impressively slim side panels make complete use of the interior.



New colour concept

LEGRABOX features a completely new colour concept made from either anti-fingerprint stainless steel or steel with a matt coating giving it a special feel.



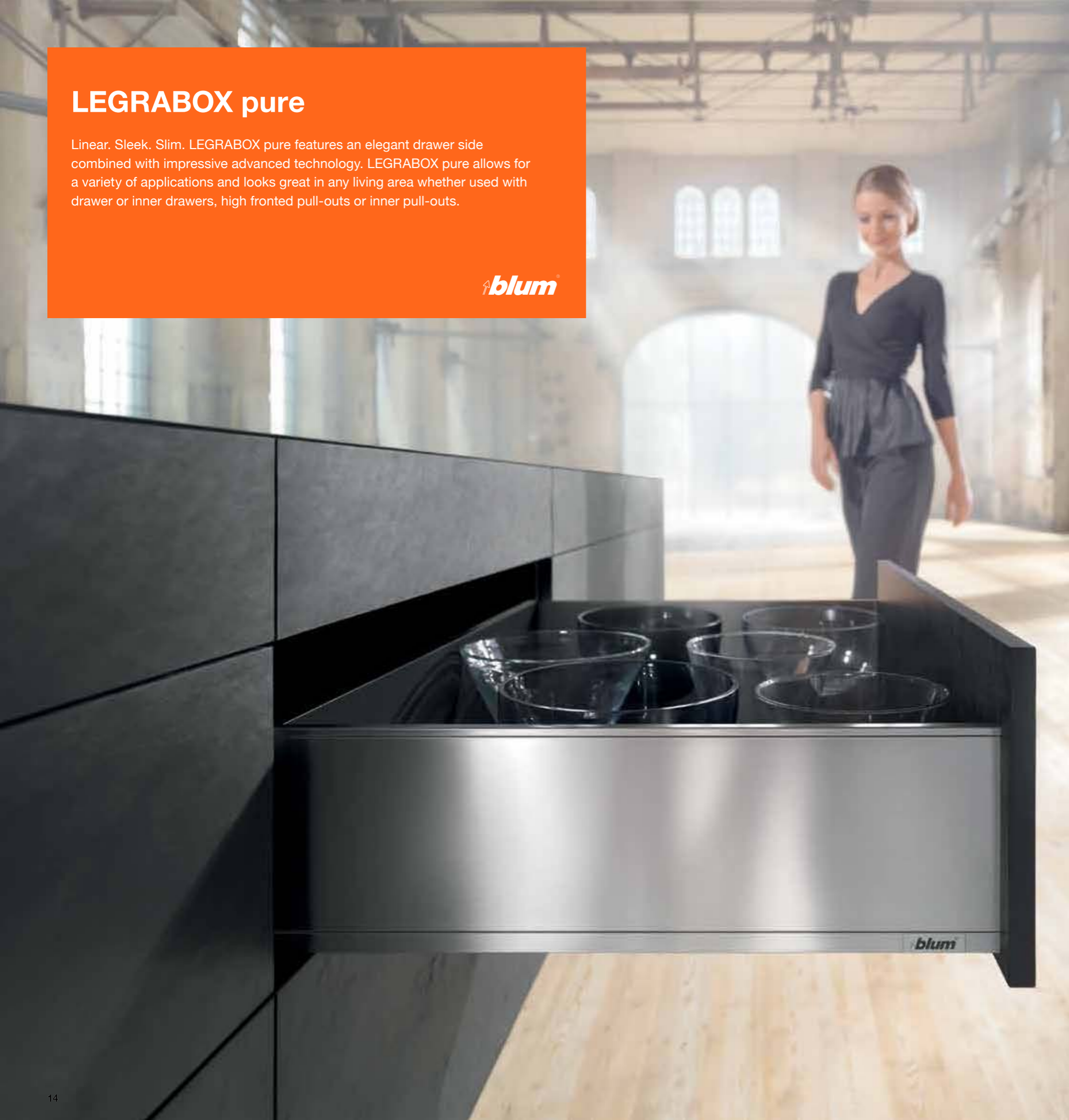
Individual branding

Branding is an integral part of the LEGRABOX pure design and can be printed with your company name or logo.



LEGRABOX pure

Linear. Sleek. Slim. LEGRABOX pure features an elegant drawer side combined with impressive advanced technology. LEGRABOX pure allows for a variety of applications and looks great in any living area whether used with drawer or inner drawers, high fronted pull-outs or inner pull-outs.



LEGRABOX pure in Anti-fingerprint Stainless Steel in a cutlery and odds and ends drawer application in the kitchen. This features a M height drawer and inner drawer.



LEGRABOX pure in Orion Grey Matt in a kitchen application featuring high fronted F height pull-out with a C height inner pull-out.



LEGRABOX pure C height pull-out in Terra Black Matt in a living room furniture application.

LEGRABOX free

LEGRABOX free, exclusively available for C height pull-outs supports intelligent unique designs in kitchen and living areas. LEGRABOX free allows for large surface area design elements to be integrated harmoniously and effectively into the furniture.

blum



The clear glass design elements ensure an open and light overall appearance and works especially well in our SPACE TOWER cabinet solution.



With LEGRABOX free you can make any piece of furniture unique by integrating design elements made of various materials including glass, wood, leather or stone.

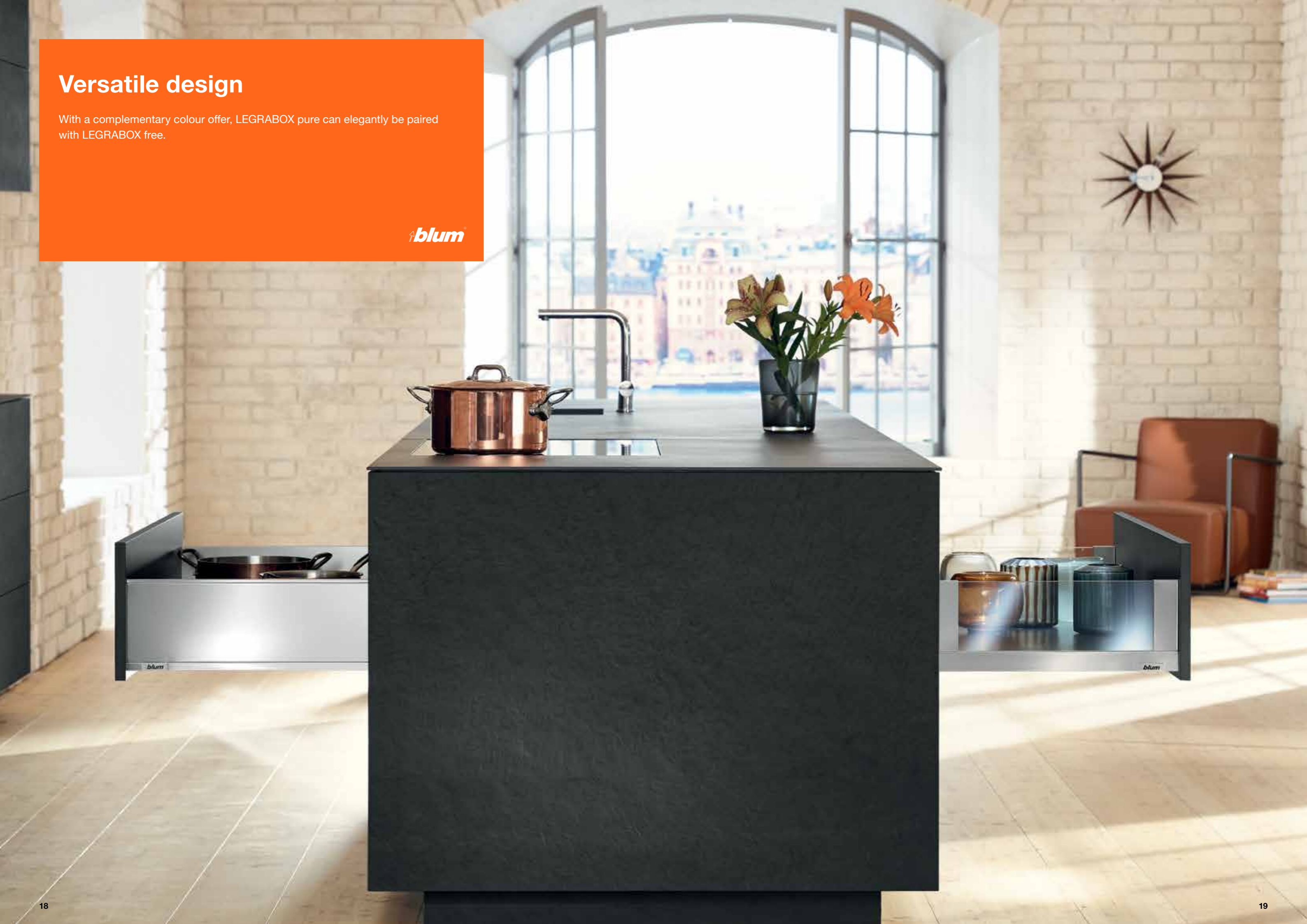


For a harmonious overall concept LEGRABOX free is suitable for use in furniture throughout the home including wardrobe or living room furniture.

Versatile design

With a complementary colour offer, LEGRABOX pure can elegantly be paired with LEGRABOX free.

blum



Universal programme

The LEGRABOX pure programme is versatile and suited to any living area. The box system allows for a variety of applications that can be implemented in different heights and colours.



Terra Black Matt

Orion Grey Matt

Silk White Matt

Stainless Steel Anti-Fingerprint

LEGRABOX pure – drawer and inner drawer



Drawer
Drawer side height M (90.5 mm)

Nominal lengths
270 mm
350 mm
400 mm
450 mm
500 mm
550 mm
600 mm



Inner drawer
Drawer side height M (90.5 mm)

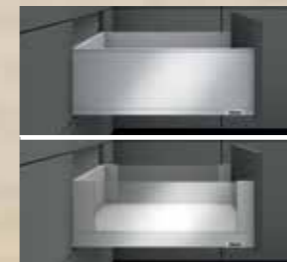
Front piece for cutting to size.



Drawer
Drawer side height K (128.5 mm)

Nominal lengths
350 mm
400 mm
450 mm
500 mm
550 mm

LEGRABOX pure and LEGRABOX free – high fronted pull-out and inner pull-out



High fronted pull-out
Drawer side height C (177 mm)

Nominal lengths
LEGRABOX pure
350 mm 500 mm
400 mm 550 mm
450 mm 600 mm

Nominal lengths
LEGRABOX free
450 mm 550 mm
500 mm



Inner pull-out
Drawer side height C (177 mm)
Front piece* with high design element



Inner pull-out
Drawer side height C (177 mm)
Front piece* with low design element



Inner pull-out
Drawer side height C (177 mm)
Front piece* with gallery

* Front piece for cutting to size



High fronted pull-out
Drawer side height F (241 mm)

Nominal lengths
450 mm
500 mm
550 mm
600 mm

Motion Technologies

The LEGRABOX product range includes Blum's integrated, adaptive dampening system BLUMOTION which ensures it closes silently and effortlessly.

LEGRABOX is compatible with SERVO-DRIVE, Blum's electrical motion support system.

LEGRABOX is available in a version compatible with TIP-ON BLUMOTION mechanical opening and soft closing support system.



➤ Fittings selection made easy with the online product configurator at www.blum.com/productconfigurator

Professional tools

The assembly of LEGRABOX is simple and convenient. Thanks to special assembly devices and templates, LEGRABOX can be assembled and installed precisely and efficiently depending on your needs.

blum



Base router

Ensures easy and precise rebating of the LEGRABOX drawer/pull-out base.



Drilling template for LEGRABOX

For precise pre-drilling on the base and back.



MINISTICK (new)

Facilitates easy and precise drilling for LEGRABOX when using Blum's MINIPRESS P (retrofit option).



BOXFIX E-L

Provides simple yet precise manual assembly of LEGRABOX drawers and pull-outs.



Universal drilling template

The multifunctional assembly device for pre-drilling of fixing positions for cabinet profiles.



Universal drilling template

The multifunctional assembly device for pre-drilling on the drawer front.

AMBIA-LINE

Intuitive and universal, AMBIA-LINE inner dividing system is organisation at its best; extending the timeless elegance of LEGRABOX throughout drawer and pull-out interiors in the kitchen and home. The inner dividing system stands out on account of its slim, streamline design and diverse setting options.



AMBIA-LINE inner dividing system is internationally recognised for its sophisticated design and functional excellence.



reddot design award
winner 2013

interior
innovation
award
2014

Winner



German
Design Award
SPECIAL
MENTION 2015



> View AMBIA-LINE film
[www.blum.com/
trailerambialine](http://www.blum.com/trailerambialine)

Uniform design

The elegance of LEGRABOX continues throughout kitchen and furniture interiors with AMBIA-LINE inner dividing frames. The narrow, straightforward design of the frames complement LEGRABOX in both colour and style for a harmonious look in all living areas.

blum

Perfect organisation

AMBIA-LINE creates order within LEGRABOX with simple elegance.



Individual adjustment

The flexible cross dividers can be easily adjusted to fit the size of the goods being stored.



Easy utilisation

The frames are easy to insert and can be positioned as desired. Steel frames for the high fronted pull-out are held securely by a magnet.



Complete programme

The AMBIA-LINE programme is clear and diverse. AMBIA-LINE frames are compact, versatile and easily positioned in any configuration to suit individual needs, without a need for tools. In addition to the range of narrow frames, a customised cross gallery rail is also available to accommodate specific storage solutions for plastic containers, lids, pots and pans.



Classic steel design

The powder coated steel frames are available in three colours, so drawers and interiors can be made to match.



Orion Grey Matt



Terra Black Matt

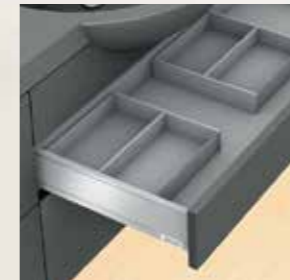


Silk White Matt

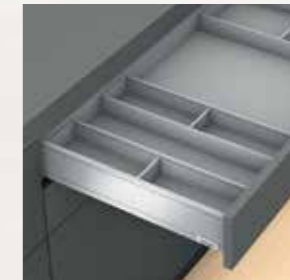
AMBIA-LINE for drawers (drawer side heights M and K)



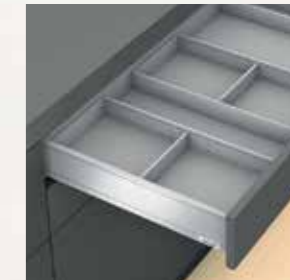
Cutlery insert
Width 300 mm



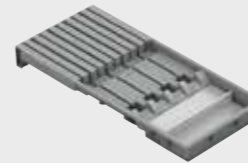
Drawer frame
for short nominal lengths
of 300 mm or more.
Width 242 mm,
Length 270 mm



Narrow drawer frame
Width 100 mm



Wide drawer frame
Width 200 mm



AMBIA-LINE knife holder
Up to nine knives can be stored
safely in the knife holder.
Suitable for drawer frames with
a width of 200 mm.



AMBIA-LINE foil dispenser
Plastic film and aluminium
foil can be pulled out and
cleanly cut with the film & foil
dispenser. Suitable for drawer
frames with a width of 200 mm.

AMBIA-LINE for high fronted pull-outs (drawer side heights C and F)



High fronted pull-out frame
for nominal lengths of
270 mm or more.
Width 242 mm,
Length 270 mm



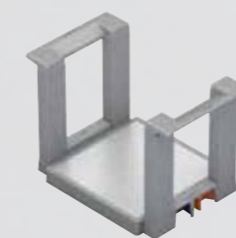
High fronted pull-out frame
for nominal lengths of
400 mm or more.
Width 218 mm,
Length 370 mm



Cross gallery for cutting to
size and lateral divider.



Bottle set for width
100 mm or width 200 mm.



Blum plate holder
Up to 12 plates can be held
securely and conveniently
transported using the plate
holder in the pull-out.



AMBIA-LINE spice holder
All spice containers are stored
securely and with a clear
overview in the spice holder.
Suitable for high fronted
pull-out frames with a width
of 218 mm (for nominal lengths
of 400 mm or more).

Attractive combination

LEGRABOX together with AMBIA-LINE bring sophistication and timeless elegance to the interior of kitchens and furniture throughout the home creating a harmonious overall look in all living spaces.

 blum

Practical kitchens

Well designed products like LEGRABOX and AMBIA-LINE bring high levels of functionality to every kitchen. LEGRABOX impresses with its ability to withstand intense daily use for the lifetime of the furniture. AMBIA-LINE is a simple way of creating and enabling fluid work processes.



Simple workflows

LEGRABOX drawers and pull-outs are fully extendable providing complete overview and easy access right into the back corner. AMBIA-LINE dividers guarantee order and organisation of all stored items such as cooking utensils, bottles and provisions.



Space optimisation

Maximise the use of available space by planning kitchens with wide, high and deep pull-outs. The straight and slim profile of LEGRABOX allows for complete use of the interior. With AMBIA-LINE your customers can organise the space to suit the items being stored.



Top quality motion

With low opening forces, incredibly smooth running action and integrated BLUMOTION soft-close, LEGRABOX increases comfort in the kitchen. Combine with SERVO-DRIVE electrical motion support for superior quality of motion and enhanced user convenience.



Blum's ideas for practical kitchens

A kitchen has to be fit for everyday use. That's why Blum has been researching the requirements of kitchen users for years. In this way, new ideas for making modern kitchens even more practical are constantly being generated as part of DYNAMIC SPACE. More information can be found at blum.com

Cabinet Solutions

Innovative cabinet solutions ensure available space is optimised. Blum's space saving cabinet solutions create valuable additional storage space without changing the size of the room. The Sink Cabinet, SPACE TOWER and Narrow Cabinets are all achievable with LEGRABOX.



Sink Cabinet

Blum's Sink Cabinet makes optimal use of available space in the cabinet under the sink. Additional usable space is gained via the u-shaped cut out with the Sink Drawer. Also included in the Sink Cabinet is the waste bin pull-out.



SPACE TOWER

Blum's SPACE TOWER is the optimal pantry solution. Utilising fully extendable individual pull-outs, contents are easily accessible from all three sides and into the farthest corner. This solution can also be adapted to suit bedroom wardrobe and living room cabinets.



Narrow Cabinets

Blum's Narrow Cabinets solution makes use of otherwise wasted yet valuable storage space in kitchens. This is especially practical when positioned close to the preparation bench or stove for the bottle and spice storage, carrying up to 20 kgs.



Modern living

LEGRABOX and AMBIA-LINE combine to create a sophisticated storage solution making them the ideal choice for modern furniture design. The clear style looks great in any living area throughout the home.



LEGRABOX pure, drawer side height C in Terra Black Matt, AMBIA-LINE spice holder in high fronted pull-out frame in Terra Black Matt.



LEGRABOX pure, drawer side height C in Silk White Matt, with the Blum plate holder ensure secure storage of plates.



The new AMBIA-LINE bottle drawer solution stores bottles securely. Wider pull-outs offer additional space for chopping boards.



LEGRABOX pure, drawer side height M with AMBIA-LINE cutlery inserts.



LEGRABOX pure waste bin pull-out, AMBIA-LINE frame in Orion Grey Matt for secure storage of cleaning agents.



Plastic containers and matching lids are kept neat and tidy with AMBIA-LINE.

Versatile applications

What has already proven itself in the kitchen is also ideally suited to other living areas. The high quality material of LEGRABOX and AMBIA-LINE makes an elegant addition to any living area.

blum



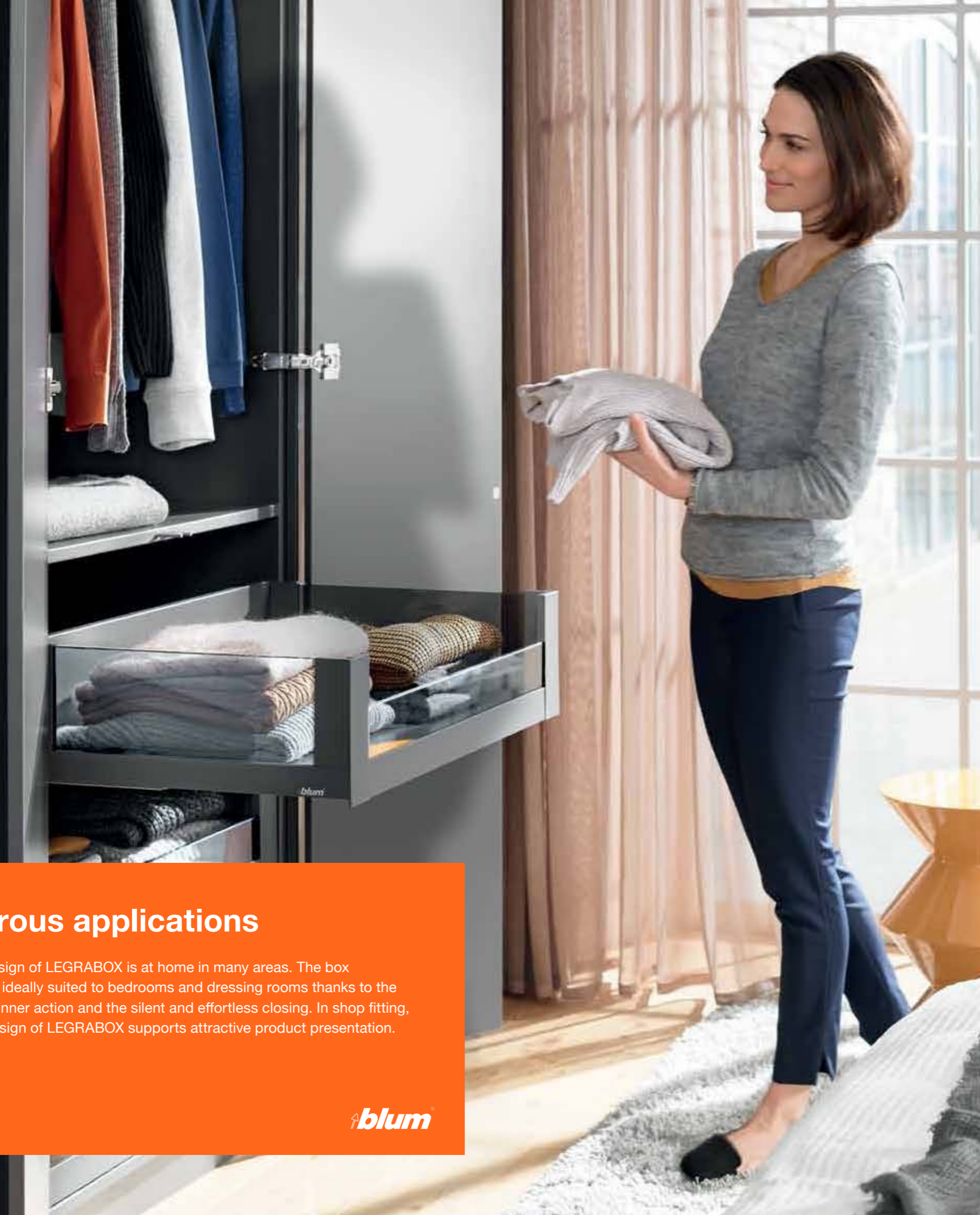
LEGRABOX pure, drawer side height C, front piece with gallery, in Silk White Matt, AMBIA-LINE frame in Silk White Matt.



LEGRABOX pure, pull-out side height C in Terra Black Matt, AMBIA-LINE frame in Terra Black Matt.



LEGRABOX free, pull-out height C in Silk White Matt with stone design element, AMBIA-LINE frames in Silk white.



LEGRABOX pure, pull-out side C in Silk White Matt, AMBIA-LINE frames in Silk White Matt.



LEGRABOX pure, drawer side height M, AMBIA-LINE drawer frames in Orion Grey Matt.



LEGRABOX pure, drawer side height C in Terra Black Matt, AMBIA-LINE frame in Terra Black Matt.

Numerous applications

The simple design of LEGRABOX is at home in many areas. The box system is also ideally suited to bedrooms and dressing rooms thanks to the outstanding runner action and the silent and effortless closing. In shop fitting, the elegant design of LEGRABOX supports attractive product presentation.



Services for the Manufacturer

Blum would like to make the ordering, assembly and marketing of its products as easy as possible for our customers and partners. A variety of useful online applications as well as special planning and ordering software are available to support your daily activities.



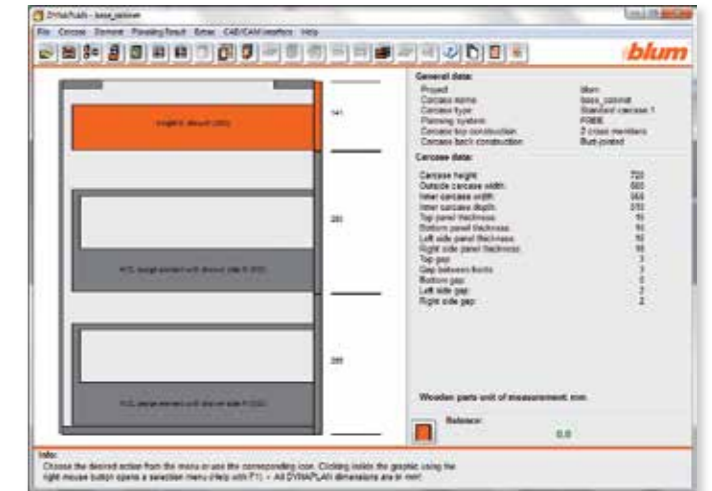
Online Product Configurator

The Online Product Configurator assists with the selection and ordering of the correct fittings. Along with parts lists for your desired fitting solution, you also get marketing information, manufacturing and assembly documentation as well as 2D/3D CAD data. blum.com/onlineproductconfigurator



DYNALOG

Using Blum's DYNALOG planning software, the cabinet planning for Blum fittings is complete and precise. The program can be operated intuitively, automatic collision checks ensure that designs are feasible and do away with trial applications.



DYNAPLAN interfaces

Complete plans can be exported and imported to or from your CAD or CAM system at the touch of a button via interfaces in DYNAPLAN. In this way, DYNAPLAN supports your main program with both every-day solutions as well as special constructions.



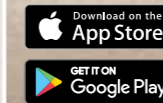
Practical assistance - on-site support

Precision installation and adjustment have an impact on top quality motion. At Blum, we would like to make it as easy as possible for manufacturers, cabinet makers and installers to use Blum products in workshops and on-site. Practical support is provided at every stage of assembly and installation via a useful app, simple assembly instructions and practical templates.



EASY ASSEMBLY App

Blum's complimentary EASY ASSEMBLY App provides cabinetmakers and installers with useful instructions and videos that support on-site assembly, installation and adjustment of Blum fittings.



Simple assembly instructions

Blum products come with easy step-by-step assembly instructions. Assembly and installation instructions can also be found in Blum's trade catalogue and can be downloaded from the Media Center on Blum's website.



Practical templates

Blum's practical templates are a perfect combination of high precision and practical value. These templates can be used in workshops and are easily transported to support on-site assembly and installation.



LEGRABOX pure
LEGRABOX free



Material and colour



Terra Black Matt

Orion Grey Matt

Silk White Matt

Stainless Steel
Anti-Fingerprint

> Material and colour

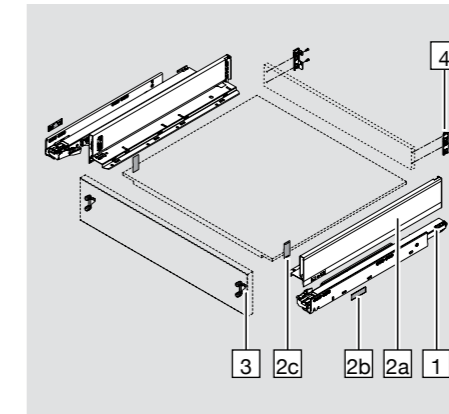
	SW-M	OG-M	TS-M	INGL
	Silk White Matt	Orion Grey Matt	Terra Black Matt	Stainless steel With an anti-fingerprint coating
SW-M Silk White Matt	■			
OG-M Orion Grey Matt		■		
TS-M Terra Black Matt			■	
NI Nickel				■
Nickel Matt				■

Drawer – height M

LEGRABOX pure



Product



Order specification

1	Cabinet profiles left/right								
	Nominal length	BLUMOTION*				TIP-ON BLUMOTION			
	270 mm	40 kg	750.2701B		40 kg	750.2701M			
	350 mm	40 kg	750.3501B		40 kg	750.3501M			
	400 mm	40 kg	750.4001B		40 kg	750.4001M			
	450 mm	40 kg	750.4501B	70 kg	753.4501B	40 kg	750.4501M	70 kg	753.4501M
	500 mm	40 kg	750.5001B	70 kg	753.5001B	40 kg	750.5001M	70 kg	753.5001M
	550 mm			70 kg	753.5501B			70 kg	753.5501M
	600 mm			70 kg	753.6001B			70 kg	753.6001M

2	Drawer side set				
	Consisting of:				
	2a	drawer side left/right			
	2b	cover caps (external)			
	2c	cover caps (internal)			
		Colour variants			
		SW-M	OG-M	TS-M	INGL
		Steel			Stainless steel**
	Nominal length				
270 mm	770M2702S				
350 mm	770M3502S				
400 mm	770M4002S			770M4002I	
450 mm	770M4502S			770M4502I	
500 mm	770M5002S			770M5002I	
550 mm	770M5502S			770M5502I	
600 mm	770M6002S				

* Suitable for SERVO-DRIVE

** With anti-fingerprint coating



3	Front fixing bracket		
	EXPANDO	2 x	ZF7M70E2
	Screw-on	2 x	ZF7M7002

4	Wooden back fixing brackets left/right		
	Colour variants		
	SW-M	OG-M	TS-M
	Nickel		
	Steel		
Height M	ZB7M000S		

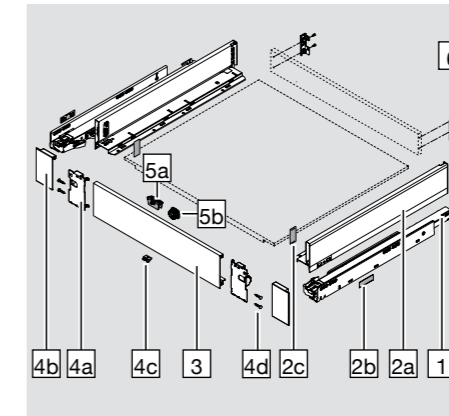
Accessories	
Fixing screws for front fixing brackets	
	Ø 3.5 x 15 mm
	Ø 3.5 x 17 mm
Fixing screws for wooden back fixings and drawer sides with drawer base	
	Ø 4 x 15 mm
	In order to achieve optimal assembly, we recommend that you use flat headed screws.

	SERVO-DRIVE applications
	For additional components required for SERVO-DRIVE applications refer to page 68

	TIP-ON BLUMOTION
	For additional components required for TIP-ON BLUMOTION applications refer to page 69



Product



Order specification

1	Cabinet profiles left/right									
	Nominal length		BLUMOTION*				TIP-ON BLUMOTION			
	270 mm		40 kg	750.2701B		40 kg	750.2701M			
	350 mm		40 kg	750.3501B		40 kg	750.3501M			
	400 mm		40 kg	750.4001B		40 kg	750.4001M			
	450 mm		40 kg	750.4501B	70 kg	753.4501B	40 kg	750.4501M	70 kg	753.4501M
	500 mm		40 kg	750.5001B	70 kg	753.5001B	40 kg	750.5001M	70 kg	753.5001M
	550 mm				70 kg	753.5501B			70 kg	753.5501M
	600 mm				70 kg	753.6001B			70 kg	753.6001M

2	Drawer side set				
	Consisting of:				
	2a	drawer side left/right			
	2b	cover caps (external)			
	2c	cover caps (internal)			
	Colour variants				
		SW-M	OG-M	TS-M	INGL
		Steel			Stainless steel**
	Nominal length				
	270 mm	770M2702S			
350 mm	770M3502S				
400 mm	770M4002S			770M4002I	
450 mm	770M4502S			770M4502I	
500 mm	770M5002S			770M5002I	
550 mm	770M5502S			770M5502I	
600 mm	770M6002S				

* Suitable for SERVO-DRIVE

** With anti-fingerprint coating

3	Front piece without groove	
	Colour variants	
	SW-M	OG-M TS-M Nickel matt
	Aluminium	
For cutting to size		ZV7.1043C01
Cutting		
LW - 126 mm		
LW Inner cabinet width		

4	Front piece set	
	Consisting of:	
	4a	Front fixing left / right
	4b	Outer cover caps left/right
4c	Locking piece	
4d	Screws	
Colour variants		
SW-M	OG-M TS-M INGL	
Steel		Stainless steel**
Z17.0MS0		Z17.0MI0

5	Latch set (optional)	
	Consisting of:	
	5a	Latch
	5b	Trigger housing (RAL 7037 dust grey)
Colour variants		
SW-M	OG-M TS-M TS-M ¹⁾	
Plastic		
Z17.0M07		

6	Wooden back fixing brackets left/right	
	Colour variants	
	SW-M	OG-M TS-M Nickel
	Steel	
Height M		ZB7M000S

Accessories		
Fixing screws for wooden back fixings and drawer sides with drawer base		
	Ø 4 x 15 mm	In order to achieve optimal assembly, we recommend that you use flat headed screws.

	SERVO-DRIVE applications
For additional components required for SERVO-DRIVE applications refer to page 68	

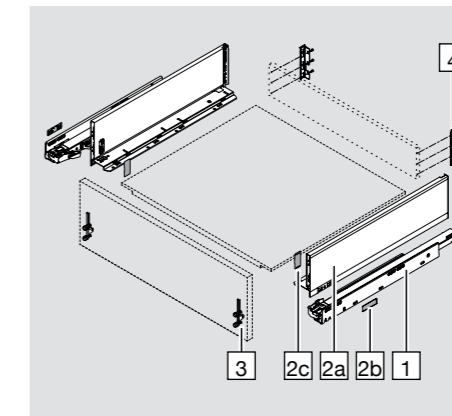
	TIP-ON BLUMOTION
For additional components required for TIP-ON BLUMOTION applications refer to page 69	

** With anti-fingerprint coating

For Anti-fingerprint Stainless Steel applications, the latch set in Terra Black Matt is recommended.

For planning, assembly, installation and adjustment information please refer to Blum's trade catalogue, DYNALOG planning and ordering software, Blum Online Product Configurator and/or our EASY ASSEMBLY App.

Product



Order specification

1	Cabinet profiles left/right								
		Nominal length	BLUMOTION*				TIP-ON BLUMOTION		
		350 mm	40 kg	750.3501B		40 kg	750.3501M		
		400 mm	40 kg	750.4001B		40 kg	750.4001M		
		450 mm	40 kg	70 kg	750.4501B	40 kg	70 kg	753.4501M	
		500 mm	40 kg	70 kg	750.5001B	40 kg	70 kg	753.5001M	
		550 mm		70 kg	753.5501B		70 kg	753.5501M	

2	Drawer side set			
	Consisting of:			
	2a	drawer side left/right		
	2b	cover caps (internal)		
	2c	cover caps (external)		
	Colour variants		Steel	
	SW-M	OG-M	TS-M	
Nominal length				
350 mm	770K3502S			
400 mm	770K4002S			
450 mm	770K4502S			
500 mm	770K5002S			
550 mm	770K5502S			

3	Front fixing bracket		
	EXPANDO	2 x	ZF7K70E2
	Screw-on	2 x	ZF7K7002


* Suitable for SERVO-DRIVE



4		Wooden back fixing brackets left/right		
		Colour variants		
		SW-M	OG-M	TS-M
Height K		Steel		
		ZB7K000S		


Accessories	
Fixing screws for front fixing brackets screw-on application	
	Ø 3.5 x 15 mm
	Ø 3.5 x 17 mm
Fixing screws for wooden back fixings and drawer sides with drawer base	
	Ø 4 x 15 mm
	In order to achieve optimal assembly, we recommend that you use flat headed screws.

SERVO-DRIVE applications



For additional components required for SERVO-DRIVE applications refer to page 68

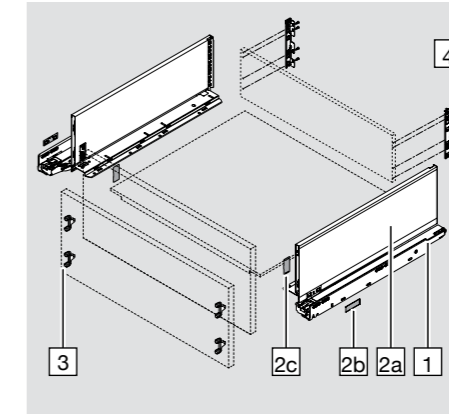
TIP-ON BLUMOTION



For additional components required for TIP-ON BLUMOTION applications refer to page 69



Product



Order specification

1	Cabinet profiles left/right									
	Nominal length	BLUMOTION*				TIP-ON BLUMOTION				
	350 mm	40 kg	750.3501B		40 kg	750.3501M				
	400 mm	40 kg	750.4001B		40 kg	750.4001M				
	450 mm	40 kg	750.4501B	70 kg	753.4501B	40 kg	750.4501M	70 kg	753.4501M	
	500 mm	40 kg	750.5001B	70 kg	753.5001B	40 kg	750.5001M	70 kg	753.5001M	
	550 mm				70 kg	753.5501B			70 kg	753.5501M
	600 mm				70 kg	753.6001B			70 kg	753.6001M

2	Drawer side set			
	Consisting of:			
	2a	drawer side left/right		
	2b	cover caps (external)		
	2c	cover caps (internal)		
	Colour variants			
	SW-M	OG-M	TS-M	INGL
	Steel			Stainless steel**
	Nominal length			
	350 mm	770C3502S		
	400 mm	770C4002S		770C4002I
	450 mm	770C4502S		770C4502I
	500 mm	770C5002S		770C5002I
	550 mm	770C5502S		770C5502I
	600 mm	770C6002S		

* Suitable for SERVO-DRIVE

** With anti-fingerprint coating

3	Front fixing bracket		
	EXPANDO	4 x	ZF7M70E2
	Screw-on	4 x	ZF7M7002

4	Wooden back fixing brackets left/right		
	Colour variants		
	SW-M	OG-M	TS-M
	Nickel		
	Steel		
Height C	ZB7C000S		

Accessories	
Fixing screws for front fixing brackets screw-on application	
	Ø 3.5 x 15 mm
	Ø 3.5 x 17 mm
Fixing screws for wooden back fixings and drawer sides with drawer base	
	Ø 4 x 15 mm
	In order to achieve optimal assembly, we recommend that you use flat headed screws.

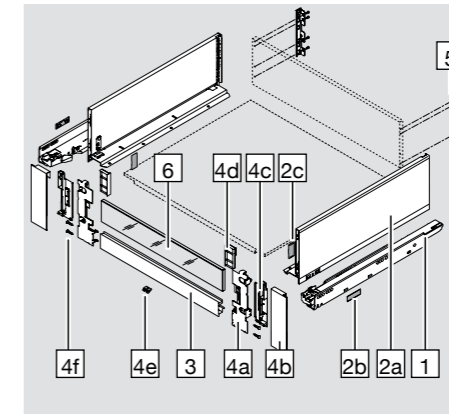
SERVO-DRIVE applications

For additional components required for SERVO-DRIVE applications refer to page 68

TIP-ON BLUMOTION

For additional components required for TIP-ON BLUMOTION applications refer to page 69

Product



Order specification

1	Cabinet profiles left/right									
		Nominal length	BLUMOTION*				TIP-ON BLUMOTION			
		350 mm	40 kg	750.3501B		40 kg	750.3501M			
		400 mm	40 kg	750.4001B		40 kg	750.4001M			
		450 mm	40 kg	750.4501B	70 kg	753.4501B	40 kg	750.4501M	70 kg	753.4501M
		500 mm	40 kg	750.5001B	70 kg	753.5001B	40 kg	750.5001M	70 kg	753.5001M
		550 mm			70 kg	753.5501B			70 kg	753.5501M
		600 mm			70 kg	753.6001B			70 kg	753.6001M

2	Drawer side set				
	Consisting of:				
	2a drawer side left/right				
	2b cover caps (external)				
	2c cover caps (internal)				
	Colour variants				
		SW-M	OG-M	TS-M	INGL
		Steel			Stainless steel**
	Nominal length				
	350 mm	770C3502S			
400 mm	770C4002S			770C4002I	
450 mm	770C4502S			770C4502I	
500 mm	770C5002S			770C5002I	
550 mm	770C5502S			770C5502I	
600 mm	770C6002S				

3	Colour variants			
	SW-M	OG-M	TS-M	Nickel matt
	Aluminium			
For cutting to size	ZV7.1043MN1			
Cutting	LW - 126 mm	LW	Inner cabinet width	

* Suitable for SERVO-DRIVE

** With anti-fingerprint coating

	4 Front piece set				
	Consisting of:				
	4a Front fixing left / right				
	4b Outer cover caps left/right				
	4c Interior cover cap left/right				
	4d Adapter piece for low design element left/right				
	4e Locking piece				
4f Screws					
	Colour variants				
	SW-M	OG-M	TS-M	INGL	
	Steel			Stainless steel**	
	Z17.2CS0			Z17.2CI0	

	5 Wooden back fixing brackets left/right				
		Colour variants			
		SW-M	OG-M	TS-M	Nickel
		Steel			
	Height C	ZB7C000S			

	6 High glass design element (for inner pull-out front)				
	Individually cut to size				
	Cabinet width	Side panel thickness 15 and 16 mm			
	450 mm	1 x	ZE7W338G		
	600 mm	1 x	ZE7W488G		
	900 mm	1 x	ZE7W788G		
1200 mm	1 x	ZE7W1088G			

	6 Low glass design element (for inner pull-out front)				
	Individually cut to size				
	Cabinet width	Side panel thickness 15 and 16mm			
	450 mm	1 x	ZE7V338G		
	600 mm	1 x	ZE7V488G		
	900 mm	1 x	ZE7V788G		
1200 mm	1 x	ZE7V1088G			

Accessories	
	Fixing screws for wooden back fixings and drawer sides with drawer base
	Ø 4 x 15 mm
	In order to achieve optimal assembly, we recommend that you use flat headed screws.

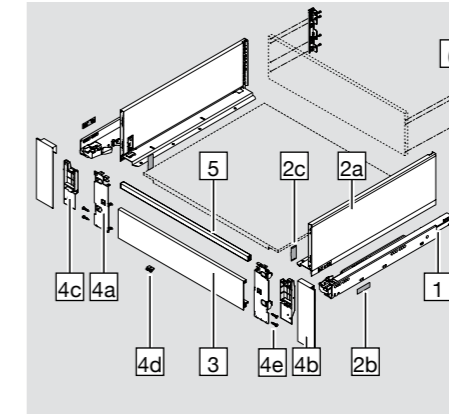
	SERVO-DRIVE applications
	For additional components required for SERVO-DRIVE applications refer to page 68

	TIP-ON BLUMOTION
	For additional components required for TIP-ON BLUMOTION applications refer to page 69

** With anti-fingerprint coating

For planning, assembly, installation and adjustment information please refer to Blum's trade catalogue, DYNALOG planning and ordering software, Blum Online Product Configurator and/or our EASY ASSEMBLY App.

Product



Order specification

	1 Cabinet profiles left/right								
	Nominal length	BLUMOTION*				TIP-ON BLUMOTION			
	350 mm	40 kg	750.3501B		40 kg	750.3501M			
	400 mm	40 kg	750.4001B		40 kg	750.4001M			
	450 mm	40 kg	750.4501B	70 kg	753.4501B	40 kg	750.4501M	70 kg	753.4501M
	500 mm	40 kg	750.5001B	70 kg	753.5001B	40 kg	750.5001M	70 kg	753.5001M
	550 mm			70 kg	753.5501B			70 kg	753.5501M
	600 mm			70 kg	753.6001B			70 kg	753.6001M

	2 Drawer side set								
	Consisting of:								
	2a drawer side left/right								
	2b cover caps (external)								
	2c cover caps (internal)								
		Colour variants							
		SW-M	OG-M	TS-M	INGL				
		Steel							Stainless steel**
	Nominal length								
	350 mm	770C3502S				770C4002I			
400 mm	770C4002S				770C4502I				
450 mm	770C4502S				770C5002I				
500 mm	770C5002S				770C5502I				
550 mm	770C5502S				770C6002S				
600 mm	770C6002S								

	3 Front piece without groove								
		Colour variants							
		SW-M	OG-M	TS-M	Nickel matt				
		Aluminium							
	For cutting to size	ZV7.1043C01							
Cutting	LW - 126 mm	LW	Inner cabinet width						

* Suitable for SERVO-DRIVE

** With anti-fingerprint coating

LEGRABOX pure



Inner pull-out – height C – front piece with gallery

4 Front piece set															
Consisting of:															
4a	Front fixing left/right														
4b	Outer cover caps left/right														
4c	Interior cover cap left/right														
4d	Locking piece														
4e	Screws														
<table border="1"> <thead> <tr> <th colspan="2">Colour variants</th> </tr> <tr> <th>SW-M</th> <th>OG-M</th> <th>TS-M</th> <th>INGL</th> </tr> </thead> <tbody> <tr> <td colspan="2">Steel</td> <td colspan="2">Stainless steel**</td> </tr> <tr> <td colspan="2">Z17.3CS0</td> <td colspan="2">Z17.3CI0</td> </tr> </tbody> </table>		Colour variants		SW-M	OG-M	TS-M	INGL	Steel		Stainless steel**		Z17.3CS0		Z17.3CI0	
Colour variants															
SW-M	OG-M	TS-M	INGL												
Steel		Stainless steel**													
Z17.3CS0		Z17.3CI0													

5 Cross gallery																			
<table border="1"> <thead> <tr> <th colspan="2">Colour variants</th> </tr> <tr> <th>SW-M</th> <th>OG-M</th> <th>TS-M</th> <th>Nickel matt</th> </tr> </thead> <tbody> <tr> <td colspan="4">Aluminium</td> </tr> <tr> <td colspan="4">For cutting to size ZR7.1080U</td> </tr> <tr> <td>Cutting</td> <td>LW - 90 mm</td> <td>LW</td> <td>Inner cabinet width</td> </tr> </tbody> </table>		Colour variants		SW-M	OG-M	TS-M	Nickel matt	Aluminium				For cutting to size ZR7.1080U				Cutting	LW - 90 mm	LW	Inner cabinet width
Colour variants																			
SW-M	OG-M	TS-M	Nickel matt																
Aluminium																			
For cutting to size ZR7.1080U																			
Cutting	LW - 90 mm	LW	Inner cabinet width																

6 Wooden back fixing brackets left/right															
<table border="1"> <thead> <tr> <th colspan="2">Colour variants</th> </tr> <tr> <th>SW-M</th> <th>OG-M</th> <th>TS-M</th> <th>Nickel</th> </tr> </thead> <tbody> <tr> <td colspan="4">Steel</td> </tr> <tr> <td>Height C</td> <td colspan="3">ZB7C000S</td> </tr> </tbody> </table>		Colour variants		SW-M	OG-M	TS-M	Nickel	Steel				Height C	ZB7C000S		
Colour variants															
SW-M	OG-M	TS-M	Nickel												
Steel															
Height C	ZB7C000S														

Accessories	
Fixing screws for wooden back fixings and drawer sides with drawer base	
	Ø 4 x 15 mm In order to achieve optimal assembly, we recommend that you use flat headed screws.

SERVO-DRIVE applications	
	For additional components required for SERVO-DRIVE applications refer to page 68

TIP-ON BLUMOTION	
	For additional components required for TIP-ON BLUMOTION applications refer to page 69

** With anti-fingerprint coating

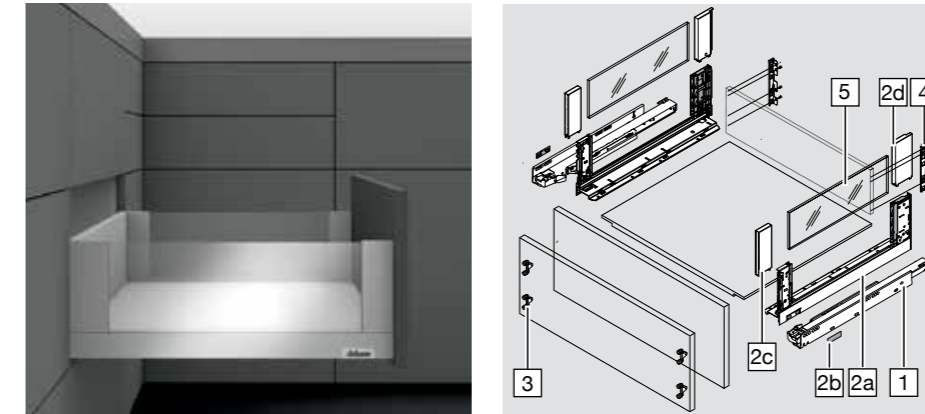
For planning, assembly, installation and adjustment information please refer to Blum's trade catalogue, DYNALOG planning and ordering software, Blum Online Product Configurator and/or our EASY ASSEMBLY App.

High fronted pull-out – height C

LEGRABOX free



Product



Order specification

1 Cabinet profiles left/right		BLUMOTION*				TIP-ON BLUMOTION			
	Nominal length	40 kg		70 kg		40 kg		70 kg	
	450 mm	750.4501B		753.4501B		750.4501M		753.4501M	
	500 mm	750.5001B		753.5001B		750.5001M		753.5001M	
	550 mm			753.5501B				753.5501M	

2 Drawer side set																											
Consisting of:																											
2a	drawer side left/right																										
2b	cover caps (external)																										
2c	BOXCOVER front																										
2d	BOXCOVER back																										
<table border="1"> <thead> <tr> <th colspan="2">Colour variants</th> </tr> <tr> <th>SW-M</th> <th>OG-M</th> <th>TS-M</th> <th>INGL</th> </tr> </thead> <tbody> <tr> <td colspan="2">Steel</td> <td colspan="2">Stainless steel**</td> </tr> <tr> <th>Nominal length</th> <td colspan="2">780C4502S</td> <td>780C4502I</td> </tr> <tr> <td>450 mm</td> <td colspan="2">780C5002S</td> <td>780C5002I</td> </tr> <tr> <td>500 mm</td> <td colspan="2">780C5502S</td> <td>780C5502I</td> </tr> <tr> <td>550 mm</td> <td colspan="2"></td> <td></td> </tr> </tbody> </table>		Colour variants		SW-M	OG-M	TS-M	INGL	Steel		Stainless steel**		Nominal length	780C4502S		780C4502I	450 mm	780C5002S		780C5002I	500 mm	780C5502S		780C5502I	550 mm			
Colour variants																											
SW-M	OG-M	TS-M	INGL																								
Steel		Stainless steel**																									
Nominal length	780C4502S		780C4502I																								
450 mm	780C5002S		780C5002I																								
500 mm	780C5502S		780C5502I																								
550 mm																											

3 Front fixing bracket			
	EXPANDO	4 x	ZF7M70E2
	Screws	4 x	ZF7M7002

* Suitable for SERVO-DRIVE

** With anti-fingerprint coating

4	Wooden back fixing brackets left/right		
	Colour variants		
	SW-M	OG-M	TS-M
	Steel		
Height C	ZB7C000S		

5	Glass design element (side)		
	Nominal length		
	450 mm	1 x	ZE7S338G
	500 mm	1 x	ZE7S388G
	550 mm	1 x	ZE7S438G

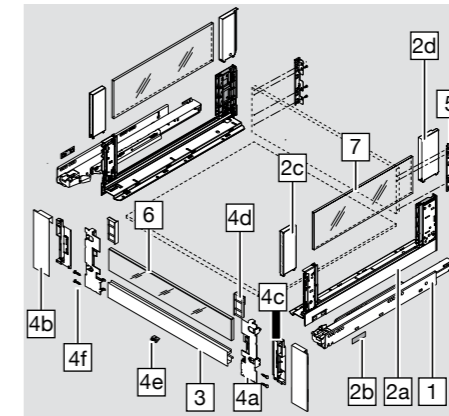
Accessories		
Transportation lock for design element (side)		
For transporting pre-assembled design elements (side)	per pull-out x 2	780C0009

Fixing screws for front fixing brackets	
Ø 3.5 x 15 mm	
Ø 3.5 x 17 mm	
Fixing screws for wooden back fixings and drawer sides with drawer base	
Ø 4 x 15 mm	
In order to achieve optimal assembly, we recommend that you use flat headed screws.	

SERVO-DRIVE applications
For additional components required for SERVO-DRIVE applications refer to page 68

TIP-ON BLUMOTION
For additional components required for TIP-ON BLUMOTION applications refer to page 69

Product



Order specification

1	Cabinet profiles left/right		
	Nominal length	BLUMOTION*	TIP-ON BLUMOTION
	450 mm	40 kg 750.4501B 70 kg 753.4501B	40 kg 750.4501M 70 kg 753.4501M
	500 mm	40 kg 750.5001B 70 kg 753.5001B	40 kg 750.5001M 70 kg 753.5001M
	550 mm	70 kg 753.5501B	70 kg 753.5501M

2	Drawer side set			
	Consisting of:			
	2a	drawer side left/right		
	2b	cover caps (external)		
	2c	BOXCOVER front		
	2d	BOXCOVER back		
	Colour variants			
	SW-M	OG-M	TS-M	INGL
	Steel		Stainless steel**	
Nominal length	780C4502S		780C4502I	
450 mm	780C5002S		780C5002I	
500 mm	780C5502S		780C5502I	
550 mm				

3	Front piece with groove		
	Colour variants		
	SW-M	OG-M	TS-M
	Aluminium		
For cutting to size	ZV7.1043MN1		
Cutting	LW - 126 mm	LW	Inner cabinet width

* Suitable for SERVO-DRIVE

** With anti-fingerprint coating

4	Front piece set			
	Consisting of:			
	4a	Front fixing left / right		
	4b	Outer cover caps left/right		
	4c	Interior cover cap left/right		
	4d	Adapter piece for low design element left/right		
	4e	Locking piece		
	4f	Screws		
	Colour variants			
	SW-M	OG-M	TS-M	INGL
	Steel			Stainless steel**
	Z17.2CS0		Z17.2CI0	

5	Wooden back fixing brackets left/right			
	SW-M	OG-M	TS-M	Nickel
	Steel			
	Height C	ZB7C000S		

6	High glass design element (for inner pull-out front)			
	Individually cut to size		Side panel thickness	
	Cabinet width		15 and 16 mm	
	450 mm	1 x	ZE7W338G	
	600 mm	1 x	ZE7W488G	
	900 mm	1 x	ZE7W788G	
1200 mm	1 x	ZE7W1088G		

6	Low glass design element (for inner pull-out front)			
	Individually cut to size		Side panel thickness	
	Cabinet width		15 and 16 mm	
	450 mm	1 x	ZE7V338G	
	600 mm	1 x	ZE7V488G	
	900 mm	1 x	ZE7V788G	
1200 mm	1 x	ZE7V1088G		

7	Glass design element (side)			
	Nominal length			
	450 mm	1 x	ZE7S338G	
	500 mm	1 x	ZE7S388G	
	550 mm	1 x	ZE7S438G	

** With anti-fingerprint coating

Order specification

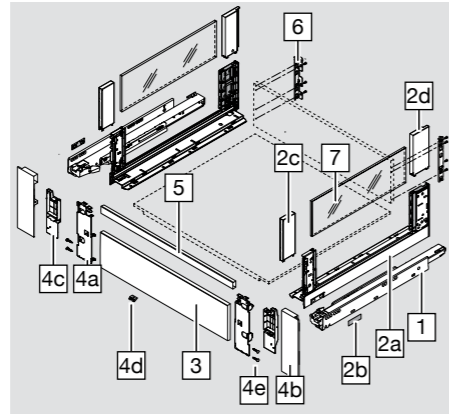
Accessories

Transportation lock for design element (side)			
	For transporting pre-assembled design elements (side)		
		per pull-out x 2	780C0009

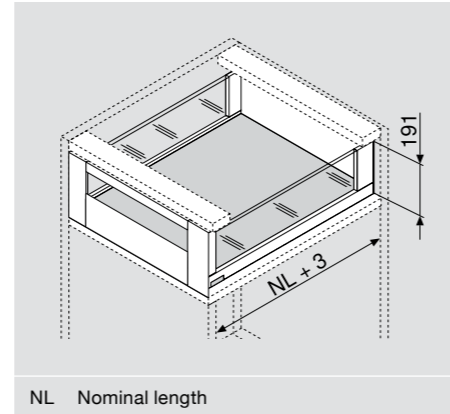
Fixing screws for wooden back fixings and drawer sides with drawer base			
	Ø 4 x 15 mm		
	In order to achieve optimal assembly, we recommend that you use flat headed screws.		

SERVO-DRIVE applications		TIP-ON BLUMOTION	
	For additional components required for SERVO-DRIVE applications refer to page 68		For additional components required for TIP-ON BLUMOTION applications refer to page 69

Product



Space requirement



Order specification

1	Cabinet profiles left/right									
	Nominal length	BLUMOTION*				TIP-ON BLUMOTION				
450 mm		40 kg	750.4501B	70 kg	753.4501B	40 kg	750.4501M	70 kg	753.4501M	
500 mm	40 kg	750.5001B	70 kg	753.5001B	40 kg	750.5001M	70 kg	753.5001M		
550 mm			70 kg	753.5501B			70 kg	753.5501M		

2	Drawer side set									
	Consisting of:									
	2a	drawer side left/right								
	2b	cover caps (external)								
	2c	BOXCOVER front								
	2d	BOXCOVER back								
		Colour variants								
		SW-M	OG-M	TS-M	INGL					
		Steel				Stainless steel**				
	Nominal length	780C4502S				780C4502I				
	450 mm	780C5002S				780C5002I				
	500 mm	780C5502S				780C5502I				
	550 mm									

3	Front piece without groove									
	Colour variants									
		SW-M	OG-M	TS-M	INGL					
		Aluminium								
	For cutting to size	ZV7.1043C01								
	Cutting	LW - 126 mm	LW Inner cabinet width							

* Suitable for SERVO-DRIVE

** With anti-fingerprint coating

Order specification

4	Front piece set									
	Consisting of:									
	4a	Front fixing left/right								
	4b	Outer cover caps left/right								
	4c	Interior cover cap left/right								
	4d	Locking piece								
	4e	Screws								
		Colour variants								
		SW-M	OG-M	TS-M						
		Steel				Stainless steel*				
		Z17.3CS0				Z17.3CI0				

5	Cross gallery									
	Colour variants									
		SW-M	OG-M	TS-M	Nickel matt					
		Aluminium								
	For cutting to size	ZR7.1080U								
	Cutting	LW - 90 mm								
		LW Inner cabinet width								

6	Wooden back fixing brackets left/right									
	Colour variants									
		SW-M	OG-M	TS-M	Nickel					
		Steel								
	Height C	ZB7C000S								

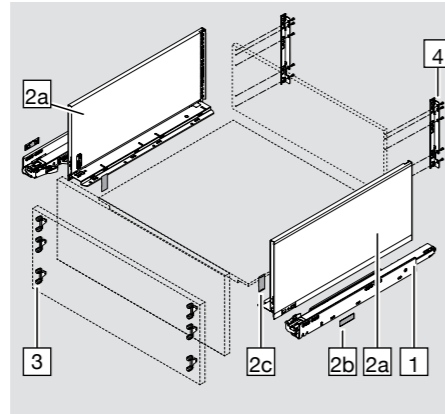
7	Glass design element (side)									
	Nominal length									
	450 mm	1 x	ZE7S338G							
	500 mm	1 x	ZE7S388G							
	550 mm	1 x	ZE7S438G							

Accessories										
	Transportation lock for design element (side)					Fixing screws for wooden back fixings and drawer sides with drawer base				
	For transporting pre-assembled design elements (side)					Ø 4 x 15 mm				
		2 x	780C0009			In order to achieve optimal assembly, we recommend that you use flat headed screws.				

SERVO-DRIVE applications					TIP-ON BLUMOTION				
For additional components required for SERVO-DRIVE applications refer to page 68					For additional components required for TIP-ON BLUMOTION applications refer to page 69				

* With anti-fingerprint coating

Product



Order specification

1	Cabinet profiles left/right									
	Nominal length	BLUMOTION*				TIP-ON BLUMOTION				
		450 mm	40 kg	750.4501B	70 kg	753.4501B	40 kg	750.4501M	70 kg	753.4501M
	500 mm	40 kg	750.5001B	70 kg	753.5001B	40 kg	750.5001M	70 kg	753.5001M	
	550 mm			70 kg	753.5501B			70 kg	753.5501M	
	600 mm			70 kg	753.6001B			70 kg	753.6001M	

2	Drawer side set			
		Consisting of:		
	2a	drawer side left/right		
	2b	cover caps (external)		
	2c	cover caps (internal)		
		Colour variants		
		SW-M	OG-M	TS-M
	Nominal length	Steel		
	450 mm	770F4502S		
	500 mm	770F5002S		
	550 mm	770F5502S		
	600 mm	770F6002S		

3	Front fixing bracket		
		EXPANDO	6 x
	Screw-on	6 x	ZF7M7002

* Suitable for SERVO-DRIVE

4	Wooden back fixings bracket left/right		
	Colour variants		
	SW-M	OG-M	TS-M
	Steel		
Height F	ZB7F000S		

Fixing screws for front fixing brackets	
	Ø 3.5 x 15 mm
	Ø 3.5 x 17 mm
Fixing screws for wooden back fixings and drawer sides with drawer base	
	Ø 4 x 15 mm
In order to achieve optimal assembly, we recommend that you use flat headed screws.	

SERVO-DRIVE applications	
	For additional components required for SERVO-DRIVE applications refer to page 68

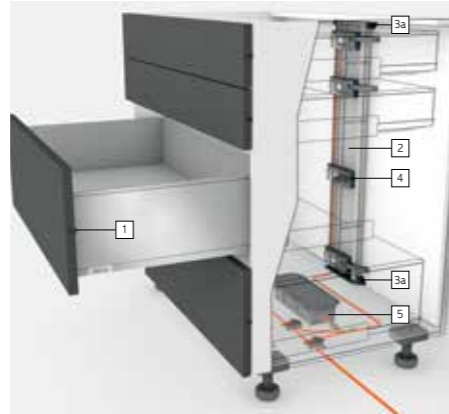
TIP-ON BLUMOTION	
	For additional components required for TIP-ON BLUMOTION applications refer to page 69

SERVO-DRIVE
for **LEGRABOX**



Additional components required for
SERVO-DRIVE applications

Product



Order specification

1	Blum distance bumper		
	Diameter		Part number
	Ø 5 mm		993.0530
	Front heights up to 300 mm x 2		
	Front heights greater than 300 mm x 4		

2	Back profile			
	Length	Material	Cable	Part number
	670 mm	Aluminium	With	Z10T670AA
	750 mm	Aluminium	With	Z10T750AA
	1170 mm for cutting to size	Aluminium	Without	Z10T1170A
	Internal cabinet height			
	LH – 10 mm			

3a	Bracket profile attachment top/bottom		
	Material	Colour	Part number
	Nylon	Dust grey	Z10D01E0.01
	Cross bar construction horizontal		

Alternative to 3a			
3b	Bracket profile attachment lower/back		
	Material	Colour	Part number
	Nylon	Dust grey	Z10D01EA.01
	Cross bar construction vertical		

4	SERVO-DRIVE drive unit for drawers		
	Material	Colour	Part number
	Nylon	Dust grey	Z10A3000.03
	One SERVO-DRIVE drive unit required per drawer/pull-out		
	Additional accessories depending on installation application		

5	Blum transformer*		
	Blum transformer 72W		Z10NE020D
	Flex		Z10M200K
	Transformer unit housing for cabinet base fixing	1x	Z10NG000
	Alternative: Transformer unit housing for panel fixing	1x	Z10NG120
	Connecting node (1x), Cable end protector (2x)		Z10V100E.01
	SERVO-DRIVE cable 800cm** for cutting to size		Z10K800AE
	Cable holder		Z10K0009

*SERVO-DRIVE applications require a transformer for power supply. One transformer can connect up to 50 drawers/pull-outs.

**The SERVO-DRIVE cable can be used with a connecting node to extend the power supply cable.

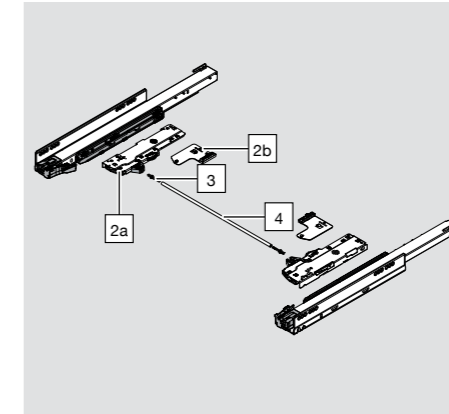
For planning, assembly, installation and adjustment information please refer to Blum's trade catalogue, DYNALOG planning and ordering software, Blum Online Product Configurator and/or our EASY ASSEMBLY App.

Additional components required for
TIP-ON BLUMOTION applications



TIP-ON BLUMOTION
for **LEGRABOX**

Product



Order specification

2a + 2b	Set containing TIP-ON BLUMOTION unit and TIP-ON BLUMOTION latch									
	Can be used for:	Recommended weight ranges* for an optimum opening and closing function								
	Nominal length (NL)	Unit	Part number	< 10 kg	20 kg	30 kg	40 kg	50 kg	60 kg	70 kg
	270 – 300 mm	S0	T60L7040	≤ 10						
	S1	T60L7140		> 10-20						
350 – 650 mm	L1	T60L7340	≤ 20							
	L3	T60L7540			5 – 40					
	L5	T60L7570						25 – 70		

3	TIP-ON BLUMOTION synchronisation adapter	
	Symmetrical, in combination with synchronisation linkage, two items required per synchronisation linkage, for internal cabinet width ≥ 294 mm	T60.000D

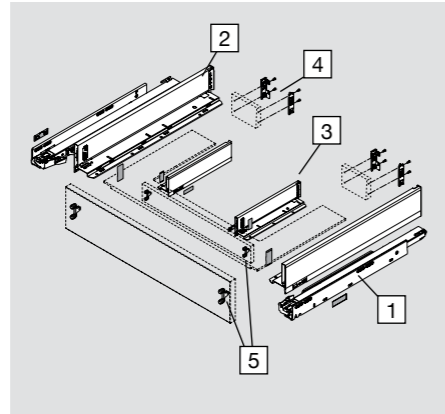
4	TIP-ON BLUMOTION round synchronisation linkage for cutting to size	
	Possible for cabinet widths ≥ 400 mm Suitable for cabinet widths of up to 1400 mm	T60.1125W

Accessories	
3b	Front gap template for TIP-ON BLUMOTION LEGRABOX / MOVENTO
	Setting the front gap to 2.5 mm

* Total weight of the pull-out

For planning, assembly, installation and adjustment information please refer to Blum's trade catalogue, DYNALOG planning and ordering software, Blum Online Product Configurator and/or our EASY ASSEMBLY App.

Product



Components required

1	Cabinet profiles left/right
2	Exterior - drawer side set M height including external and internal cover caps
3	Interior - drawer side set M height including external and internal cover caps
4	Wooden back fixing brackets M height x 4
5	Front fixing bracket x 4

Recommended combination of nominal lengths for sink drawer

1,2	Exterior - Drawer side set and cabinet profiles	3	Interior - Drawer side set and cabinet profiles
	Nominal length		Nominal length
	400 mm		270 mm
	450 mm		270 mm
	500 mm		350 mm
	550 mm		400 mm
	600 mm		450 mm

Order specification

1	Cabinet profiles left/right	
	Nominal length	BLUMOTION*
	400 mm	40 kg 750.4001B
	450 mm	40 kg 750.4501B 70 kg 753.4501B
	500 mm	40 kg 750.5001B 70 kg 753.5001B
	550 mm	70 kg 753.5501B
	600 mm	70 kg 753.6001B

* Suitable for SERVO-DRIVE

2	Drawer side set		
	Consisting of:		
	2a drawer side left/right		
	2b cover caps (external)		
	2c cover caps (internal)		
		Colour variants	
		SW-M OG-M TS-M INGL	
		Steel	Stainless steel**
	Nominal length		
	270 mm	770M2702S	
	350 mm	770M3502S	
	400 mm	770M4002S	770M4002I
	450 mm	770M4502S	770M4502I
	500 mm	770M5002S	770M5002I
	550 mm	770M5502S	770M5502I
	600 mm	770M6002S	

4	Wooden back fixing brackets left/right	
		Colour variants
		SW-M OG-M TS-M Nickel
		Steel
	Height M	ZB7M000S

5	Front fixing bracket		
	EXPANDO	4 x	ZF7M70E2
	Screw-on	4 x	ZF7M7002

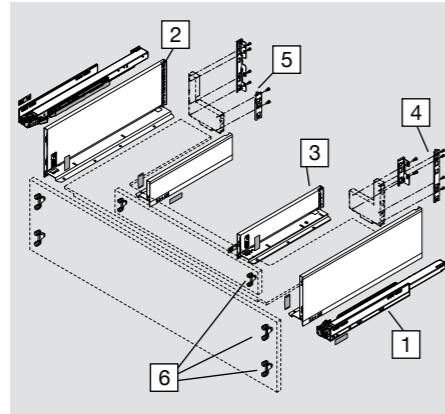
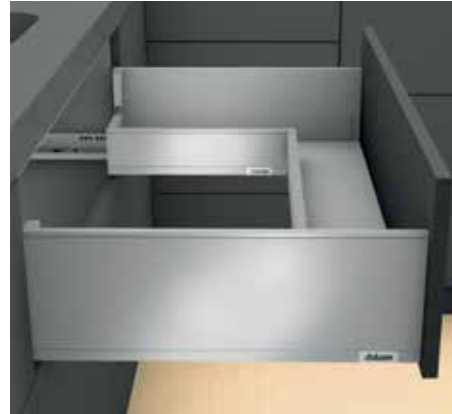
For planning, assembly, installation and adjustment information please refer to Blum's trade catalogue, DYNALOG planning and ordering software, Blum Online Product Configurator and/or our EASY ASSEMBLY App.

LEGRABOX pure
LEGRABOX free



Sink Cabinet - height C

Product



Components required

1	Cabinet profiles left/right
2	Exterior - drawer side set C height including external and internal cover caps
3	Interior - drawer side set M height including external and internal cover caps
4	Wooden back fixing brackets C height x 2
5	Wooden back fixing brackets M height x 2
6	Front fixing bracket x 8

Recommended combination of nominal lengths for sink drawer

1,2	Exterior - Drawer side set and cabinet profiles	3	Interior - Drawer side set and cabinet profiles
	Nominal length		Nominal length
	400 mm		270 mm
	450 mm		270 mm
	500 mm		350 mm
	550 mm		400 mm
	600 mm		450 mm

Order specification

1	Cabinet profiles left/right	
	Nominal length	BLUMOTION**
	400 mm	40 kg 750.4001B
	450 mm	40 kg 750.4501B 70 kg 753.4501B
	500 mm	40 kg 750.5001B 70 kg 753.5001B
	550 mm	70 kg 753.5501B
	600 mm	70 kg 753.6001B

* Incl. 2 mm tilt adjustment
** Suitable for SERVO-DRIVE

Sink Cabinet - height C

LEGRABOX pure
LEGRABOX free



2	Drawer side set - LEGRABOX pure			
	Consisting of:			
	2a drawer side left/right			
	2b cover caps (external)			
	2c cover caps (internal)			
	Colour variants			
		SW-M	OG-M	TS-M
Nominal length	Steel			Stainless steel**
400 mm	770C4002S			770C4002I
450 mm	770C4502S			770C4502I
500 mm	770C5002S			770C5002I
550 mm	770C5502S			770C5502I
600 mm	770C6002S			

2b	Alternative to 2 Drawer side set - LEGRABOX free			
	Consisting of:			
	2a drawer side left/right			
	2b cover caps (external)			
	2c BOXCOVER front			
	2d BOXCOVER back			
	Colour variants			
	SW-M	OG-M	TS-M	INGL
Nominal length	Steel			Stainless steel**
450 mm	780C4502S			
500 mm	780C5002S			
550 mm	780C5502S			780C5502I

2b	Glass design element (side)	
	Nominal length	
	450 mm	1 x ZE7S338G
	500 mm	1 x ZE7S388G
	550 mm	1 x ZE7S438G

3	Drawer side set			
	Consisting of:			
	2a drawer side left/right			
	2b cover caps (external)			
	2c cover caps (internal)			
	Colour variants			
		SW-M	OG-M	TS-M
Nominal length	Steel			Stainless steel**
270 mm	770M2702S			
350 mm	770M3502S			
400 mm	770M4002S			770M4002I
450 mm	770M4502S			

LEGRABOX pure
LEGRABOX free



Sink Cabinet - height C

4		Wooden back fixing brackets left/right			
		Colour variants			
		SW-M	OG-M	TS-M	Nickel
		Steel			
	Height C	ZB7C000S			

5		Wooden back fixing brackets left/right			
		Colour variants			
		SW-M	OG-M	TS-M	Nickel
		Steel			
	Height M	ZB7M000S			

6	Front fixing bracket			
		EXPANDO	6 x	ZF7M70E2
		Screw-on	6 x	ZF7M7002

SPACE TOWER

LEGRABOX pure
LEGRABOX free



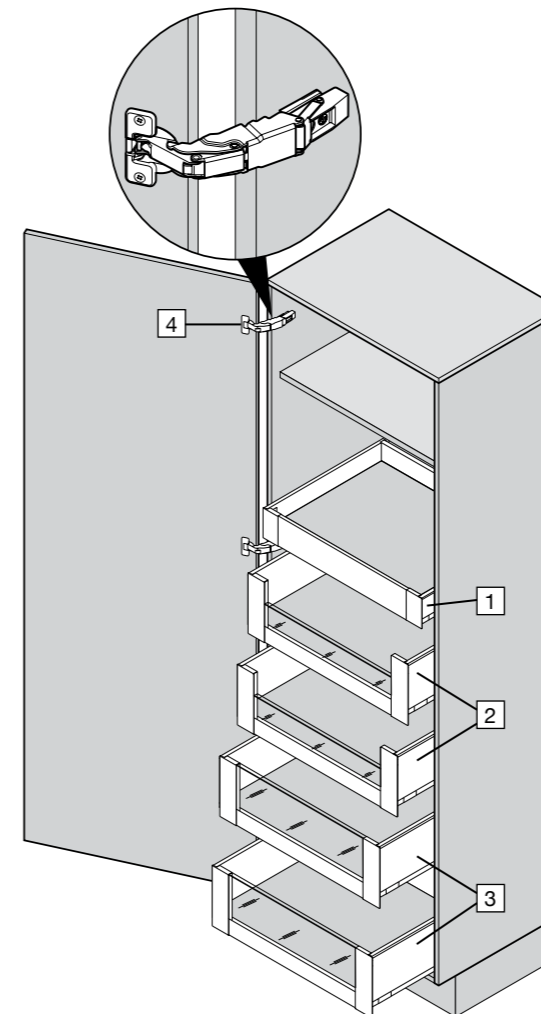
Product



Recommended configuration

- Shelf
- Inner drawer – M height
- Inner pull-out with low glass – C height x 2
- Inner pull-out with high glass – C height x 2
- Zero protrusion hinge with BLUMOTION or TIP-ON for doors
- Cabinet width 300 mm – 600 mm x 1 door
- Cabinet width 600 mm – 1200 mm x 2 doors

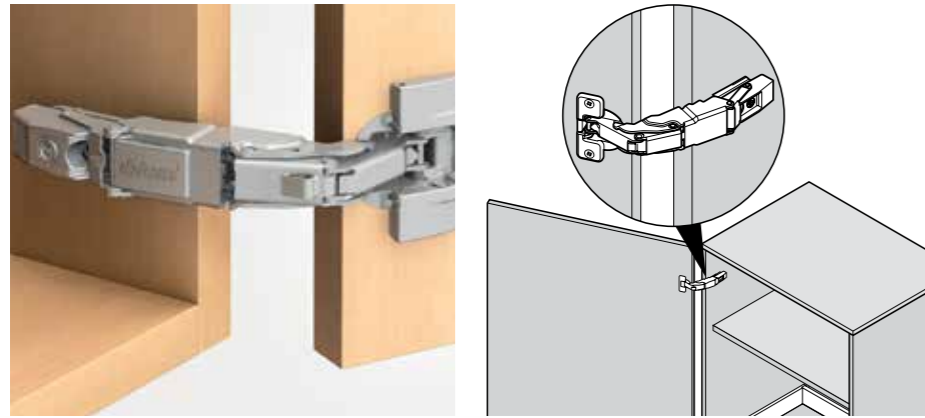
Order Specification



LEGRABOX pure	SPACE TOWER elements	Order specification and planning information
1	Inner drawer – M height	Refer to page 49
2	Inner pull-out – C height with low glass	Refer to page 55
3	Inner pull-out – C height with low glass	Refer to page 55
4	SPACE TOWER cabinet front – zero protrusion hinge	Refer to page 76

LEGRABOX free	SPACE TOWER elements	Order specification and planning information
1	Inner drawer – M height	Refer to page 49
2	Inner pull-out – C height with low glass	Refer to page 61
3	Inner pull-out – C height with low glass	Refer to page 61
4	SPACE TOWER cabinet front – zero protrusion hinge	Refer to page 76

Order Specification



1	155° zero protrusion hinge	Zinc boss with spring*	Zinc boss unsprung**		
	Overlay application	INSERTA	71T7540N	INSERTA	70T7540NTL
		Screw-on	71T7500N	Screw-on	70T7500NTL
	Dual application	INSERTA	71T7640N		
	Inset application Use hinges for dual application and a 9mm spaced mounting plate.				

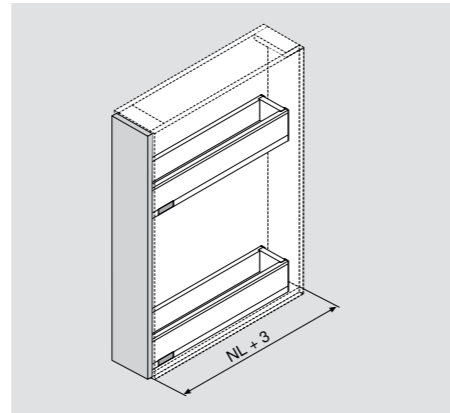
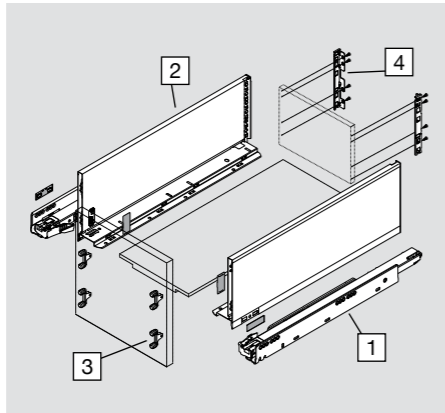
2	Mounting Plate	Spacing	Height	Part Number
	Horizontal cam mounting plate (EXPANDO)	0 mm	8.5 mm	177H3100E
		3 mm	11.5 mm	177H3130E
	Horizontal cam mounting plate	0 mm	8.5 mm	175H3100
	Horizontal cam mounting plate (EXPANDO)	0 mm	8.5 mm	174E6100.01
		3 mm	11.5 mm	174E6130.01
	Horizontal cam mounting plate	0 mm	8.5 mm	173H7100
		3 mm	11.5 mm	173H7130

3	BLUMOTION (optional)
	BLUMOTION 973A

* Suitable for BLUMOTION

** Suitable for TIP-ON for doors

4	TIP-ON for doors	Colour variants	
		SW	TS
	For drilling For overlay doors up to approx. 1300mm in height. For unsprung hinges Rec. for AVENTOS HK-XS. For drilling Ø10x50mm. Short version, length 50mm incl. 1 x glue-on and 1 x screw-on catch plates.	Short version with magnet	965.1004
	With inline adaptor plate Assembly using chipboard screws Ø3.5mm or Ø4mm or with system screws. For use in combination with TIP-ON short version.	Short version 20/17	965.1201
	For drilling For overlay doors starting from approx. 1300mm in height. For unsprung hinges. For drilling Ø10x76mm. Long version, length 76mm incl. 1 x glue-on and 1 x screw-on catch plates.	Long version with magnet	956A1004
	With inline adapter plate Assembly using chipboard screws Ø3.5mm or Ø4mm or with system screws. For use in combination with TIP-ON long version.	Long version 20/32	956A1004



Components required

1	Cabinet profiles left/right x 1
2a	Drawer side set - M height x 1
2b	Drawer side set - C height x 1
3	Front fixing bracket x 6
4a	Wooden back fixing brackets - M height x 2
4b	Wooden back fixing brackets - C height x 2

Order specification

1	Cabinet profiles left/right	BLUMOTION			
	Nominal length				
	350 mm	40 kg	750.3501B		
	400 mm	40 kg	750.4001B		
	450 mm	40 kg	750.4501B	70 kg	753.4501B
	500 mm	40 kg	750.5001B	70 kg	753.5001B
	550 mm			70 kg	753.5501B
	600 mm			70 kg	753.6001B

2	LEGRABOX pure M height	Colour variants			
		SW-M	OG-M	TS-M	INGL
	Consisting of:				
	2a drawer side left/right				
	2b customer branding				
	2c cover caps				
		Steel	Stainless steel**		
	Nominal length				
	350 mm	770M3502S			
	400 mm	770M4002S			770M4002I
450 mm	770M4502S			770M4502I	
500 mm	770M5002S			770M5002I	
550 mm	770M5502S			770M5502I	
600 mm	770M6002S				

2b	Drawer side set - LEGRABOX pure C height	Colour variants			
		SW-M	OG-M	TS-M	INGL
	Consisting of:				
	2a drawer side left/right				
	2b customer branding				
	2c cover caps				
		Steel	Stainless steel**		
	Nominal length				
	350 mm	770C3502S			
	400 mm	770C4002S			770C4002I
450 mm	770C4502S			770C4502I	
500 mm	770C5002S			770C5002I	
550 mm	770C5502S			770C5502I	
600 mm	770C6002S				

2b	Alternative to 2 Drawer side set - LEGRABOX free	Colour variants			
		SW-M	OG-M	TS-M	INGL
	Consisting of:				
	2a drawer side left/right				
	2b customer branding				
	2c BOXCOVER front				
	2d BOXCOVER back				
		Steel	Stainless steel**		
Nominal length					
450 mm	780C4502S			780C4502I	
500 mm	780C5002S			780C5002I	
550 mm	780C5502S			780C5502I	

2b	Glass design element (side) for LEGRABOX free			
	Nominal length			
	450 mm	1 x		ZE7S338G
	500 mm	1 x		ZE7S388G
	550 mm	1 x		ZE7S438G

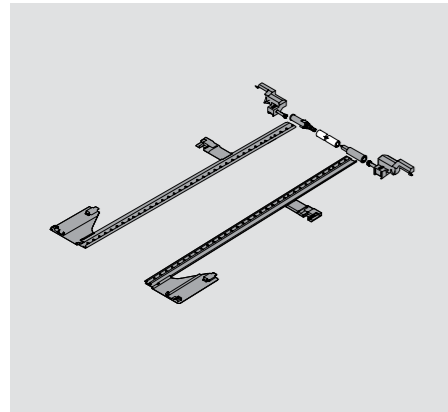
3	Front fixing bracket		
	EXPANDO	6 x	ZF7M70E2
	Screw-on	6 x	ZF7M7002

4	Wooden back fixing brackets left/right	Colour variants			
		SW-M	OG-M	TS-M	Nickel
		Steel			
	Height M				ZB7M000S
	Height C				ZB7C000S

For planning, assembly, installation and adjustment information please refer to Blum's trade catalogue, DYNALOG planning and ordering software, Blum Online Product Configurator and/or our EASY ASSEMBLY App.

Side stabiliser

Product



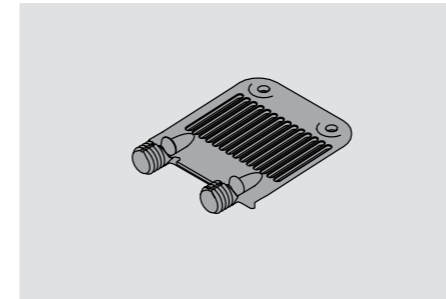
- Additional stabilisation for extra wide pull-outs
- Recommendation:
Cabinet width 900 up to 1400 mm
- Aluminium shaft suitable for KB 1400 mm, for cutting to size
- Suitable for use in combination with BLUMOTION, SERVO-DRIVE and TIP-ON BLUMOTION applications.
- No additional space requirement at the bottom.

Order specification

1	Side stabiliser		
	Nominal length		
		250–400 mm	ZS7M400LU
		450–600 mm	ZS7M650LU
	Shaft cutting		
		LW - 295 mm	
	Toothed strip cutting		
		NL + 10 mm	
		LW Inner cabinet width	
		NL Nominal length	

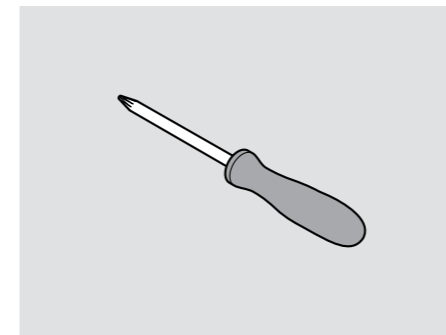
Base stabiliser

Product



Base stabiliser		
For stabilising wide drawer bases		Z961.10E1
Reinforces the connection between the base and the front		
Recommendation: from cabinet width of 900 mm, 1 piece		

TORX screwdriver



TORX screwdriver		
Short TORX screwdriver Blade length of 35 mm		SR-DREHTX20 35
Long TORX screwdriver Blade length of 100 mm		SD-DREHTX20 100
TORX size 20 (T20)		
Required for adjusting drawer/pull-out		
Short and long options available to facilitate easy adjustment of drawers and pull-outs of all sizes, narrow or wide.		

LEGRABOX pure
LEGRABOX free



Assembly devices

Base router



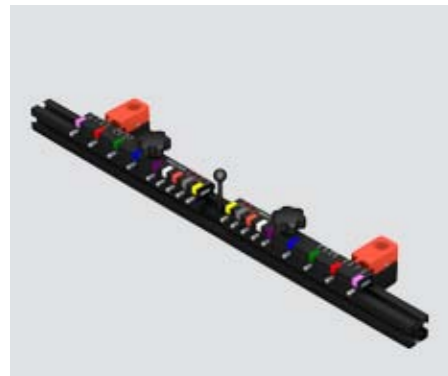
Base router	M35.7200
Device that ensures easy and precise rebating of the LEGRABOX pure drawer/pull-out base.	
No set up required.	
Suitable for drawer side lengths 270 mm – 600 mm.	
Suitable for 16 mm base thicknesses.	
Components	
1 x Base router machine, 1 x fixing board, 1 x stop bar, 1 x support stop, 1 x cutter DM 44, 1 x depth stop, 1 x timber stop.	

MINIPRESS P



MINIPRESS P	M53.1050
Blum's drilling and fittings insertion specialist facilitating simple construction of cabinets and drawers.	
Provides fast, accurate and easy drilling insertion for cabinet profiles, mounting plates, adaptor plates, hinges and drawer fronts.	
Functions pneumatically.	
Thanks to a simple flip chart, adjustments to the machines can be completed quickly and effortlessly.	
For LEGRABOX pure drilling the New MINISTICK is required. This can be easily retro fitted onto existing MINIPRESS P machines.	

MINISTICK (new)



MINISTICK (new)	MZS.0050
Facilitates easy and precise drilling for LEGRABOX pure when using Blum's MINIPRESS P (required).	
Retro fit option.	
New MINISTICK charts available for usage support.	
Also suitable for TANDEMBOX, runner, hinge and mounting plate drilling.	
Stop system for MINISTICK.	M30N0200
*Required for MINIPRESS P purchased prior to 2005.	

BOXFIX E-L



BOXFIX E-L	ZMM.0700
Provides simple yet precise manual assembly of LEGRABOX drawers and pull-outs.	
Provides optimal support. The LEGRABOX pure drawer/pull-out parts can be assembled precisely and seamlessly without any awkward holding.	
Easily transported; can be used onsite or in the workshop.	
Can be used to assemble a range of drawer sizes; nominal lengths of 270 mm – 600 mm, cabinet widths from 250 mm – 1200 mm	

Assembly devices

LEGRABOX pure
LEGRABOX free



Drilling template for LEGRABOX (back and base)



Drilling template for LEGRABOX	ZML.700
Template for pre-drilling the fixing holes for LEGRABOX pure drawer/pull-out base width and back.	
Ensures exact pre-drilling of the base and back.	
Easily transported; can be used onsite or in the workshop.	
Components	
1 x template, 1 x drilling stop, 1 x allen key	

Universal drilling template (drawer front)



Universal drilling template	ZML.0040.01
The multifunctional template that combines high precision with practical value.	
Facilitates exact marking and pre-drilling positions for front fixing and drawer/pull-out back and base.	
Calibrated for easy adjustment.	
Suitable for LEGRABOX pure, TANDEMBOX drawer systems, MOVENTO, TANDEM and METABOX.	
Components	
1 x Universal drilling template, 1 x drilling depth stop (ø 10 mm), 1 x drilling depth stop (ø 5 mm), 1 x marking template (ø 10 mm), 1 x marking template (ø 5 mm).	

Universal drilling template (cabinet profile)



Universal drilling template	65.1000.01
Facilitates pre-drilling of the fixing positions for cabinet profiles.	
Can be used with assembled and flat pack cabinets.	
Calibrated for setting the height and depth position.	
Suitable for LEGRABOX pure, TANDEMBOX drawer systems, MOVENTO, TANDEM and METABOX.	
Components	
1 x Extension rail 1000 mm, 4 x universal drilling template, 1 x drilling depth spacer Ø 5 mm, 1 x reducing bush Ø 5 to Ø 2.5 mm, 1 x allen key.	



Steel design



Recommended colour combinations	AMBIA-LINE colours		
	OG-M	TS-M	SW-M
LEGRABOX colours	Orion Grey Matt	Terra Black Matt	Silk White Matt
OG-M	■		
TS-M		■	
SW-M			■

Cutlery insert



For LEGRABOX applications in Anti-fingerprint Stainless Steel we recommend selecting AMBIA-LINE in Terra Black Matt or Orion Grey Matt.



Drawer



Order specification for drawer height M and height K

Cutlery insert			OG-M	TS-M	SW-M/OG-M
	Nominal length	Width			
	450 mm	300 mm	ZC7S450BS3		
	500 mm	300 mm	ZC7S500BS3		
	550 mm	300 mm	ZC7S550BS3		
	600 mm	300 mm	ZC7S600BS3		
Adapter profile not required for cutlery insert					

Drawer frame for nominal lengths of 270 mm or more					
	Nominal length	Width	OG-M	TS-M	SW-M
	from 270 mm	242 mm	ZC7S300RSU		
With magnet for connection to the adapter profile or drawer side					

Adapter profile for connection to chipboard back					
	Height	Width	OG-M	TS-M	SW-M
	M	242 mm	ZC7A0U0M		
	K	242 mm	ZC7A0U0K		
Not required for NL 270					
Recommended for NL greater than 350 mm					
Required for all LEGRABOX free and LEGRABOX pure in Anti-fingerprint Stainless Steel applications.					

Individual cross divider (optional)					
	Height	for width	OG-M	TS-M	SW-M
	50 mm	242 mm	ZC7Q0U0SS		

For planning, assembly, installation and adjustment information please refer to Blum's trade catalogue, DYNALOG planning and ordering software, Blum Online Product Configurator and/or our EASY ASSEMBLY App.

Drawer



Drawer frame – narrow			OG-M	TS-M	SW-M
	Nominal length	Width			
	450 mm	100 mm	ZC7S450RS1		
	500 mm	100 mm	ZC7S500RS1		
	550 mm	100 mm	ZC7S550RS1		
	600 mm	100 mm	ZC7S600RS1		

Individual cross divider (optional)			OG-M	TS-M	SW-M
	Height	for width			
	50 mm	100 mm	ZC7Q010SS		

Drawer frame – wide			OG-M	TS-M	SW-M
	Nominal length	Width			
	450 mm	200 mm	ZC7S450RS2		
	500 mm	200 mm	ZC7S500RS2		
	550 mm	200 mm	ZC7S550RS2		
	600 mm	200 mm	ZC7S600RS2		

Individual cross divider (optional)			OG-M	TS-M	SW-M
	Height	for width			
	50 mm	200 mm	ZC7Q020SS		

For planning, assembly, installation and adjustment information please refer to Blum's trade catalogue, DYNALOG planning and ordering software, Blum Online Product Configurator and/or our EASY ASSEMBLY App.

High fronted pull-out



Order specification for high fronted pull-out height C and height F

High fronted pull-out frame for nominal lengths of 270 mm or more			OG-M	TS-M	SW-M
	Nominal length	Width			
	from 270 mm	242 mm	ZC7F300RSU		
With magnet for connection to the adapter profile or drawer side					

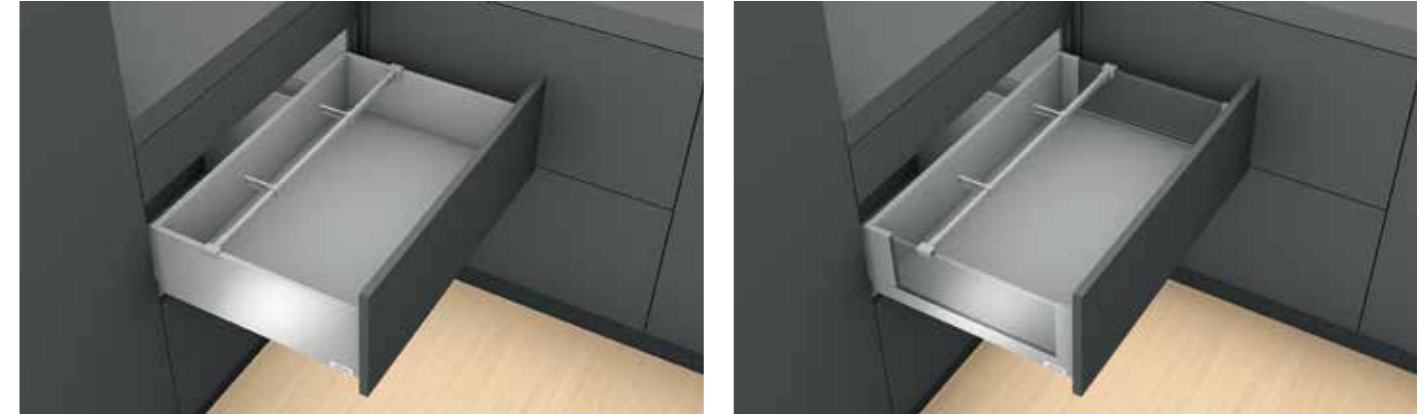
Adapter profile for connection to chipboard back			OG-M	TS-M	SW-M
	Height	Width			
	C	242 mm	ZC7A0U0C		
Not required for NL 270 and 300 mm					
Recommended for NL greater than 350 mm					
Required for all LEGRABOX free and LEGRABOX pure in Anti-fingerprint Stainless Steel applications.					

Individual cross divider (optional)			OG-M	TS-M	SW-M
	Height	for width			
	110 mm	242 mm	ZC7Q0U0FS		
	110 mm	218 mm	ZC7Q0P0FS		

High fronted pull-out frame for nominal lengths of 400 mm or more			OG-M	TS-M	SW-M
	Nominal length	Width			
	from 400 mm	218 mm	ZC7F400RSP		
With magnet for connection to the adapter profile or drawer side					

Adapter profile for connection to chipboard back		OG-M	TS-M	SW-M
	Height	Width		
	C	218 mm		
	F	218 mm		
Required for all LEGRABOX free and LEGRABOX pure in Anti-fingerprint Stainless Steel applications.				

High fronted pull-out



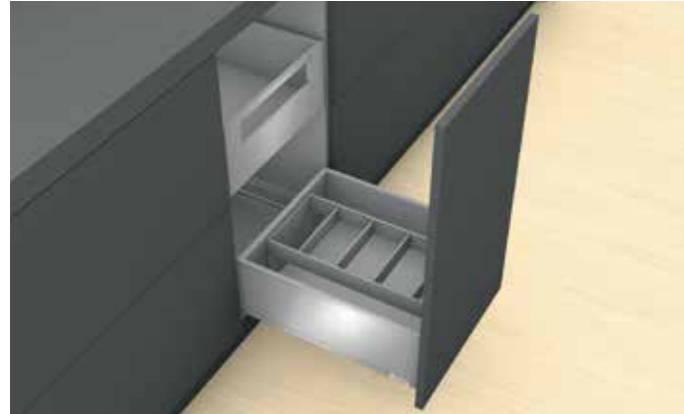
Order specification for high fronted pull-out height C and height F

Cross gallery for cutting to size		OG-M	TS-M	SW-M
	Length 1080 mm Cutting: LW-90 mm LW = inner cabinet width	ZR7.1080U		

Connectors		OG-M	TS-M	SW-M
	LEGRABOX pure	ZC7U10E0		
	LEGRABOX free	ZC7U11E0		

Lateral divider		OG-M	TS-M	SW-M
	Length 84 mm	ZC7U10F0		

AMBIA-LINE bottle set



Order specification

	Nominal length	Width	OG-M	TS-M	SW-M
	from 450 mm	100 mm	ZC7B0100S		
	from 450 mm	200 mm	ZC7B0200S		

Not suitable for inner pull-outs

Drawer frame – narrow					
	Nominal length	Width	OG-M	TS-M	SW-M
	450 mm	100 mm	ZC7S450RS1		
	500 mm	100 mm	ZC7S500RS1		
	550 mm	100 mm	ZC7S550RS1		
	600 mm	100 mm	ZC7S600RS1		
	650 mm	100 mm	ZC7S650RS1		

Drawer frame – wide					
	Nominal length	Width	OG-M	TS-M	SW-M
	450 mm	200 mm	ZC7S450RS2		
	500 mm	200 mm	ZC7S500RS2		
	550 mm	200 mm	ZC7S550RS2		
	600 mm	200 mm	ZC7S600RS2		
	650 mm	200 mm	ZC7S650RS2		



Order specification

Knife holder					
	Length	Width	OG-M	TS-M	SW-M
	409 mm	186 mm	ZC7M0200		
	For 9 knives		OG-M		
	For drawer height M and height K		Nominal length from 450 mm and greater		

Foil/film dispenser					
	Length	Width	OG-M	TS-M	SW-M
	409 mm	187 mm	ZC7C0001		
	Double unit, cling film and aluminium foil, without film/foil		OG-M		
	Compatible with foil / cling film with dimensions: Diameter 46 mm and length 330 mm.		For drawer height M and height K		
Nominal length from 450 mm and greater					

Spice holder					
	Length	Width	OG-M	TS-M	SW-M
	356 mm	200 mm	ZC7G0P01		
	For high fronted pull-out height C and height F		Suitable for use with ZC7F400RSP		

Blum Plate holder					
	Plate diameter	Stacking height	OG-M	TS-M	SW-M
	186–322 mm	up to 12 plates (146 mm)	ZC7T0350		
	Overall Plate Holder height: 170 mm		For high fronted pull-out height C and height F		

Blum

Founded over 60 years ago by Julius Blum, today Blum is an internationally active family-owned company. Blum is trusted and renowned worldwide for designing a comprehensive range of high quality industry leading products that significantly enhance user convenience and ergonomics in the kitchen and throughout the home. That's why we make every effort to perfect the motion of our lift, hinge, box and runner systems.



Design is more than an attractive appearance

Form, function and the focus on perfecting motion are and have always been firmly interlinked at Blum. This means that Blum products turn the use of high-quality furniture into a true experience and offer the ideal fitting solution for every home. Blum incorporates current design trends, personal preferences and functional furniture use. Blum fittings are internationally recognised for their sophisticated design and functional excellence.



Quality for the lifetime of the furniture

For over 60 years, quality has been the highest principle for the development and manufacture of Blum products. Our fittings exemplify quality with their well-thought-out function and durability, engineered to provide problem free use for the lifetime of the furniture. We achieve this by using the strictest internal guidelines and rigorous testing that form the basis of our ISO9001 Quality Management System.



Innovation for high living comfort

We want our fitting solutions to be innovative and make everyday kitchen use easier. That's why our developments are based on findings from requirements research and input from our customers. Blum is one of the largest patent applicants in Austria and has more than 1,000 registered trademarks. CLIP, tool free assembly, TANDEM technology, MOVENTO technology, soft-close BLUMOTION and SERVO-DRIVE electrical motion support system are all innovations by Blum and milestones in the furniture manufacturing industry.



Our contribution to the environment

Blum strives to minimise its environmental impact with environmental protection being an integral part of everything we do. We use environmentally friendly processes, use raw materials intelligently and save energy wherever we can. Our commitment to environmental protection is internationally recognised and rewarded. We endeavour to maintain and are always looking to improve our environmental management systems.





ISO 50001

Certified Energy
System



ISO 9001

Certified Quality
System



ISO 14001

Certified Environmental
System

Blum Showrooms

Sydney (Head Office)

10 Blackbird Close
Len Waters Estate NSW 2170
Ph: 02 9612 5400

Adelaide

179 Railway Terrace
Mile End SA 5031
Ph: 08 8118 6070

Brisbane

6/39-45 Compton Road
Underwood QLD 4119
Ph: 07 3135 9490

Melbourne

245 Ferntree Gully Road
Mount Waverley VIC 3149
Ph: 03 9982 1720

Perth

3/50 Howe Street
Osborne Park WA 6916
Ph: 08 6467 0110

Place distributor or company contact details here.

Blum Australia Pty. Ltd.

P.O. Box 1615

Green Valley NSW 2168

Toll Free: 1800 179 186

E-Mail: info.au@blum.com

 **blum**[®]