

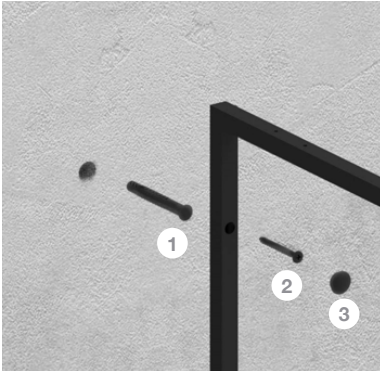
COSMA SYSTEM 16

Installation Instructions

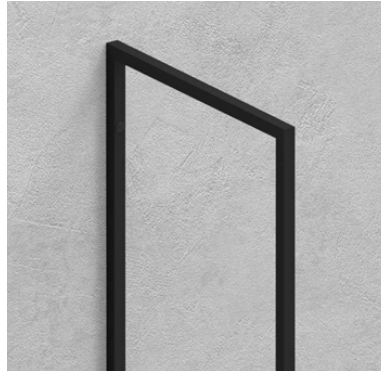


INSTRUCTIONS - SYSTEM 16

SYSTEM 16 MOUNTING INSTALLATION



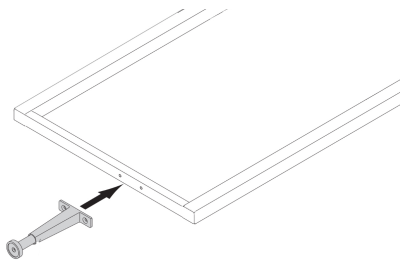
1. Wall Mate
2. Screw
3. Screw Cap



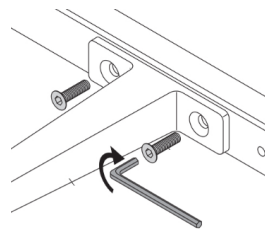
Front mounting is very practical and immediate.
The hole through which the screw passes is covered by a thin cap, which is supplied in the same finish of the aluminum profile.



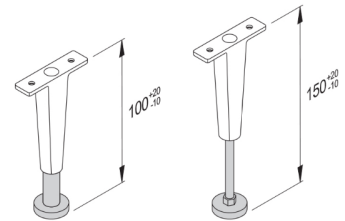
SYSTEM 16 LEG INSTALLATION



Mark out the position of the leg.
Drill and tap for M4 screws.



Insert the screws and tighten using an
Allen Key.



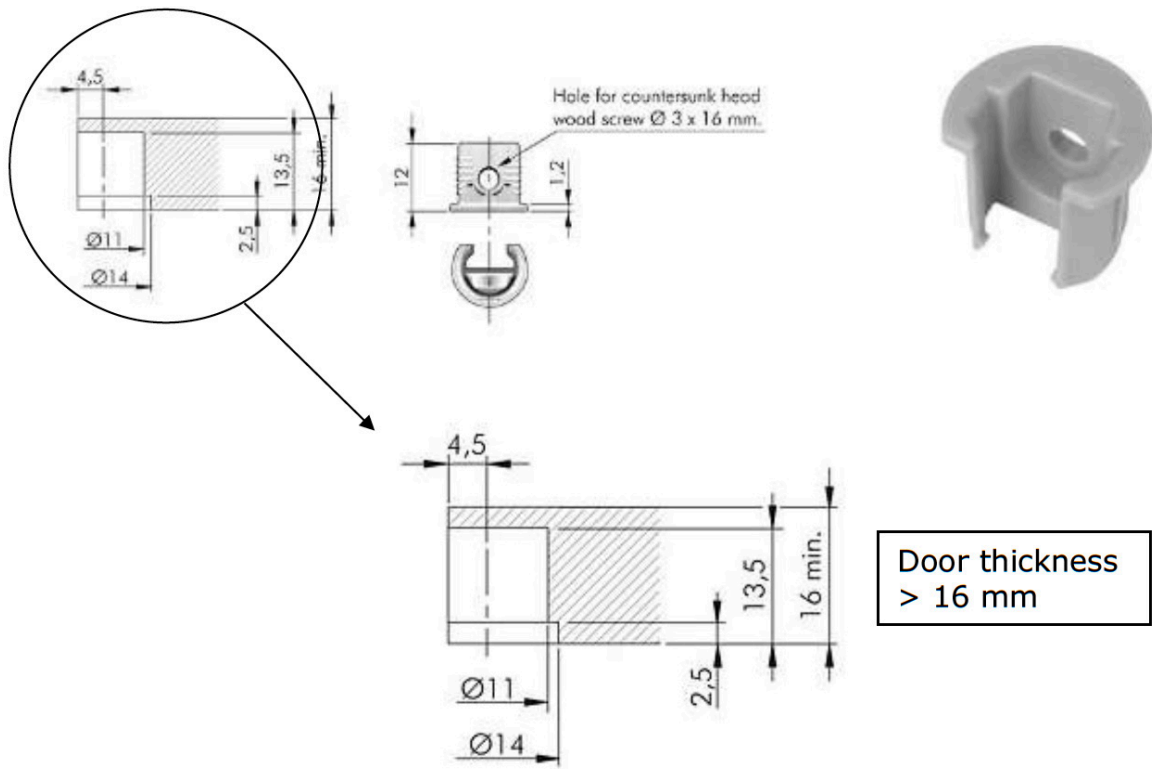
Adjust the legs to the required height.

Disclaimer

1800mm Frame pre drilled only.
Other frames used with legs will need
to be drilled and tapped.
2 x M4 x 10mm screws supplied with
each leg.

INSTRUCTIONS - SYSTEM 16

SYSTEM 16 SHELF INSTALLATION



You must opt for a thickness greater or equal to 16 mm.
The support is incorporated inside the panel itself.

Hole/ rebate required:

First using a spade/forstner bit drill 2.5mm deep x 14mm dia.

Second hole total outside diameter 13.5mm deep or 11mm deeper than first hole x 11mm dia.

Both holes drilled at 4.5mm from outside edge