

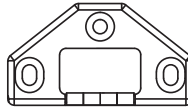
LOCK HOUSING

X1



3*16

X2



STRIKING PLATE

X1



3*16

X3



FRONT CASE

X1

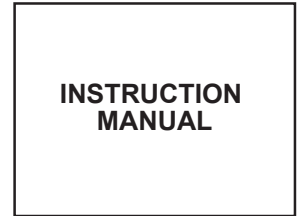


M4*16

X2



INSTALLATION NOTES

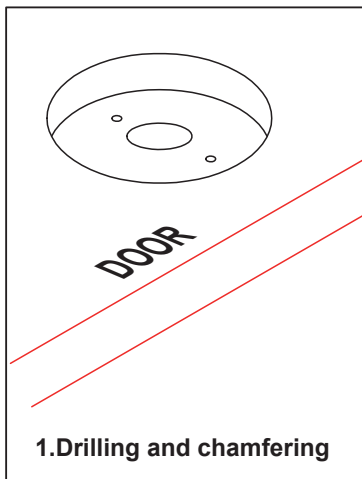
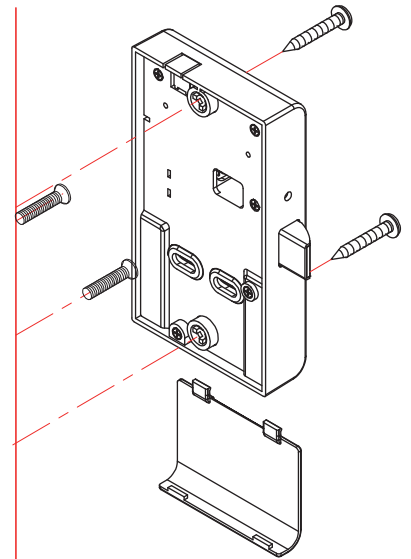
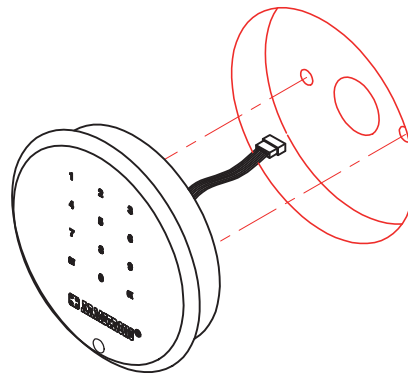


INSTRUCTION MANUAL

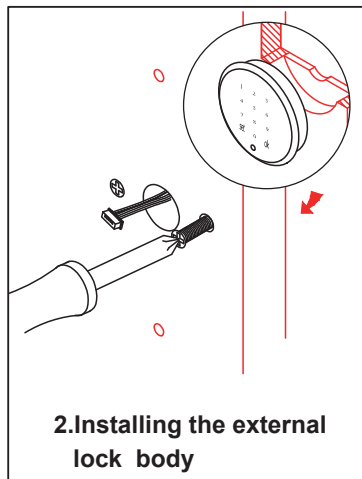
INSTALLATION DIAGRAM

SDWP-003A

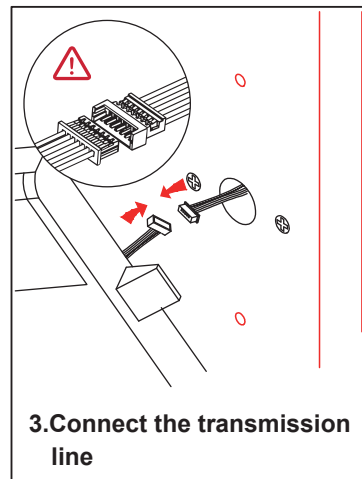
FOR THICKNESS 18-22 MM



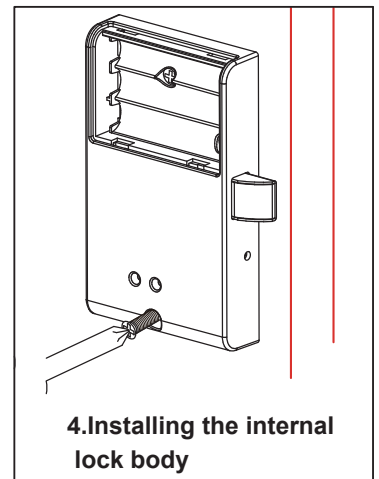
1. Drilling and chamfering



2. Installing the external lock body



3. Connect the transmission line

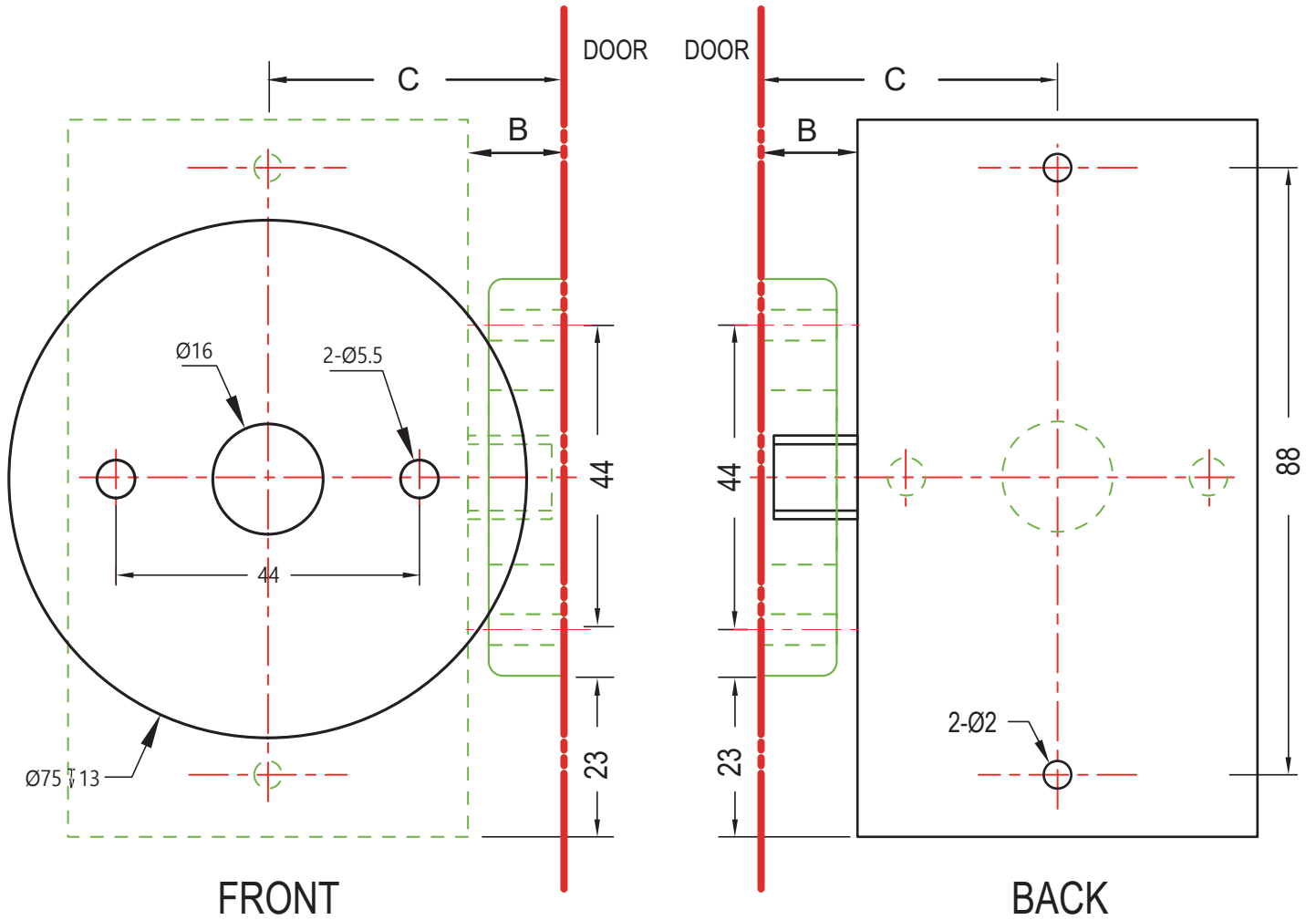


4. Installing the internal lock body

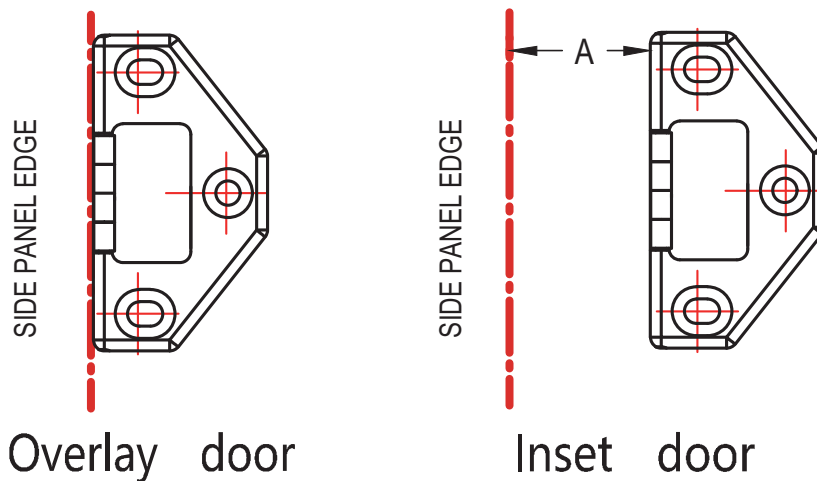
LEFT DOOR

CODE	INSET DOOR	OVERLAY DOOR
B	14mm	14mm+A
C	43mm	43mm+A

A= THICKNESS OF DOOR



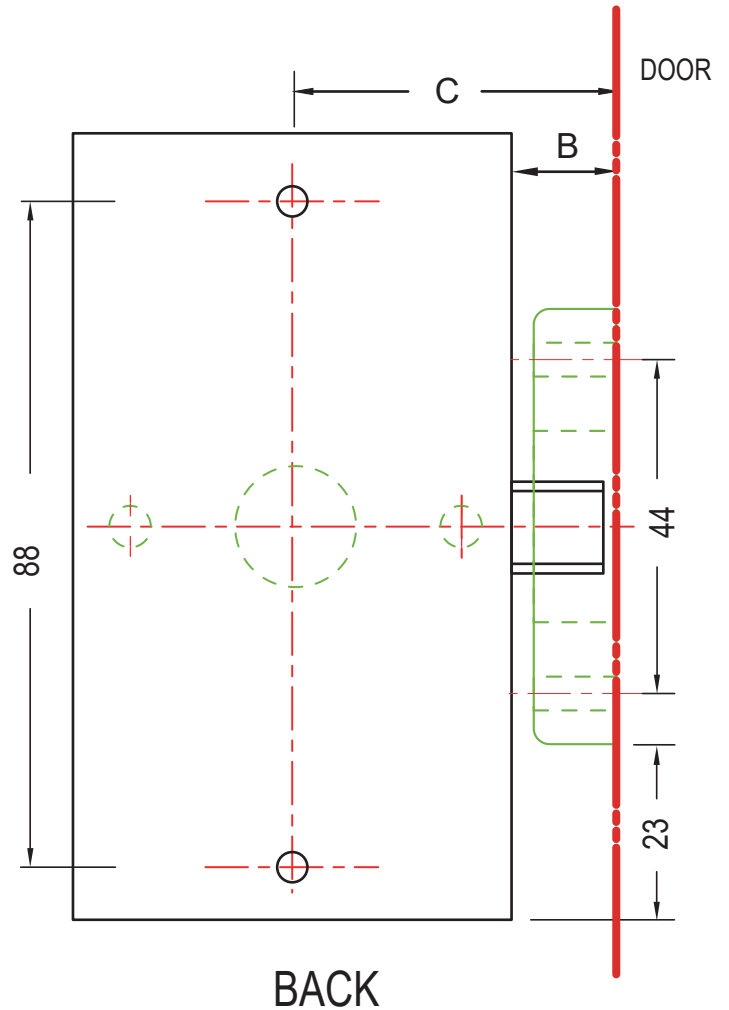
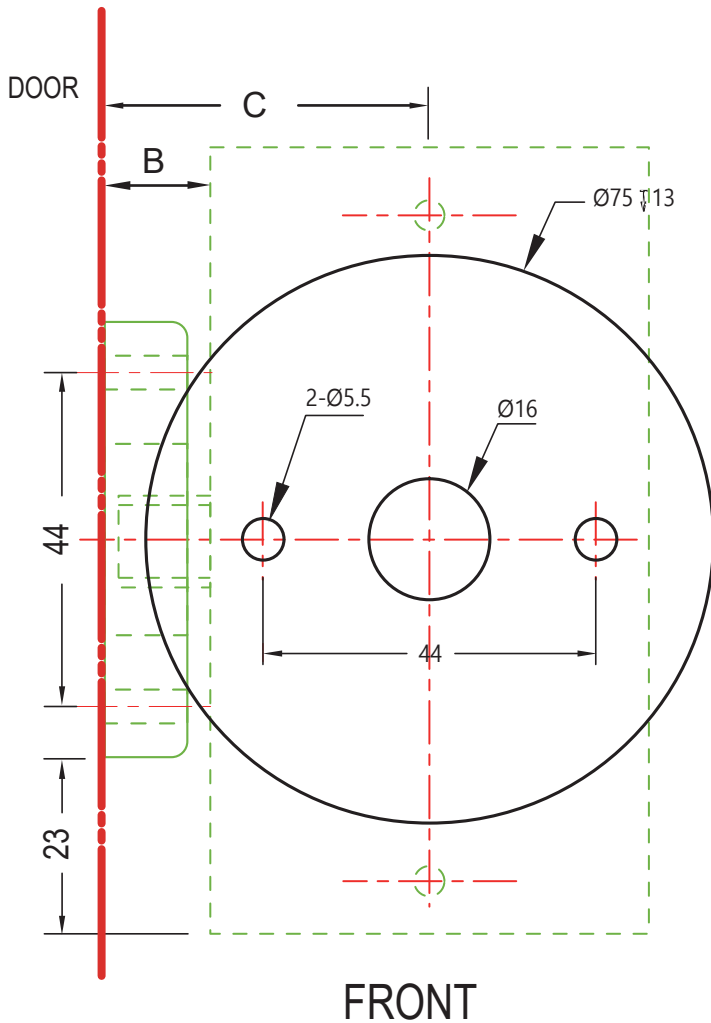
UNIT:mm



RIGHT DOOR

CODE	INSET DOOR	OVERLAY DOOR
B	14mm	14mm+A
C	43mm	43mm+A

A= THICKNESS OF DOOR



UNIT:mm

