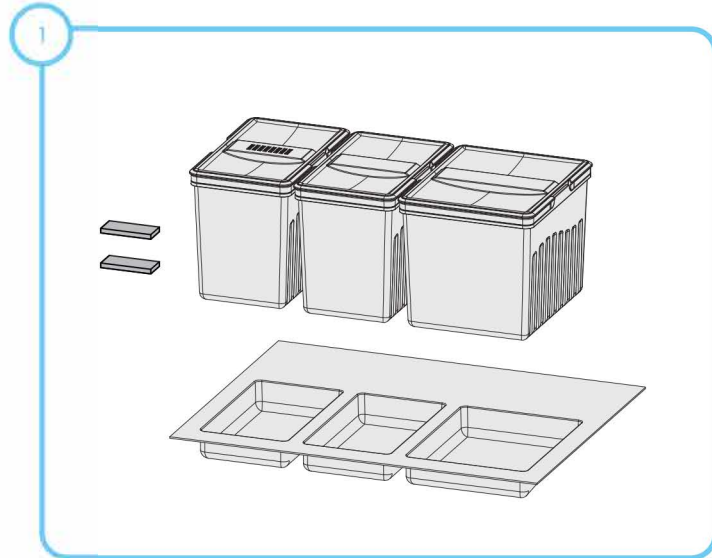
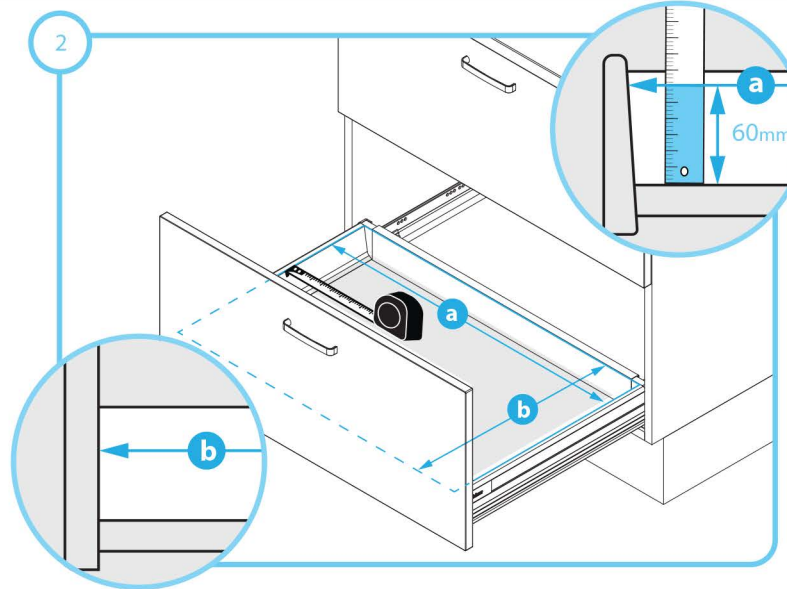


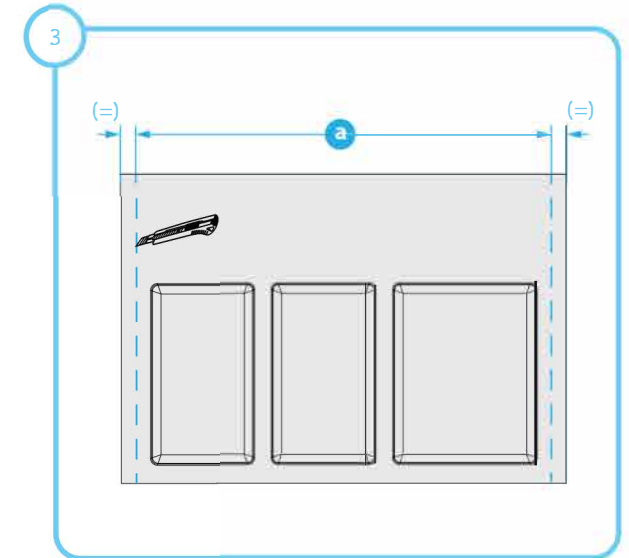
Designed to fit standard cabinet widths of 900mm, 800mm, and 600mm. Runner lengths 450mm and 500mm. Bin heights 230mm and 270mm.



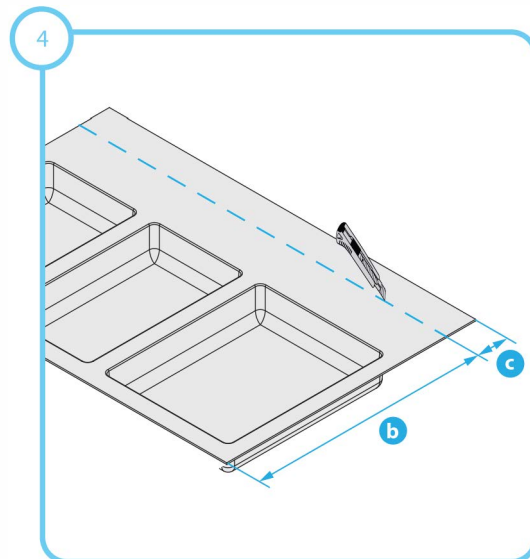
Supplied Components. Bins & tray will vary between models.



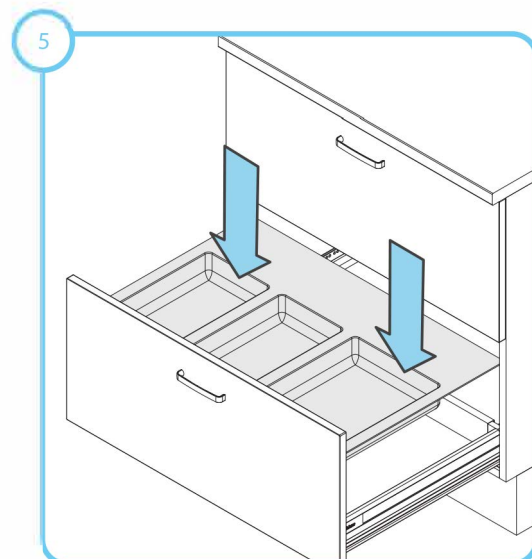
Measure 60mm up from the base of the drawer and carefully measure the inside width (a). Measure the inside drawer depth (b).



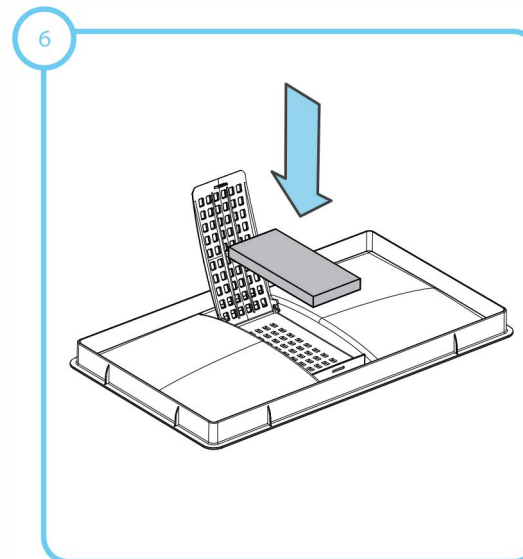
Carefully trim the tray width according to the measurement (a).



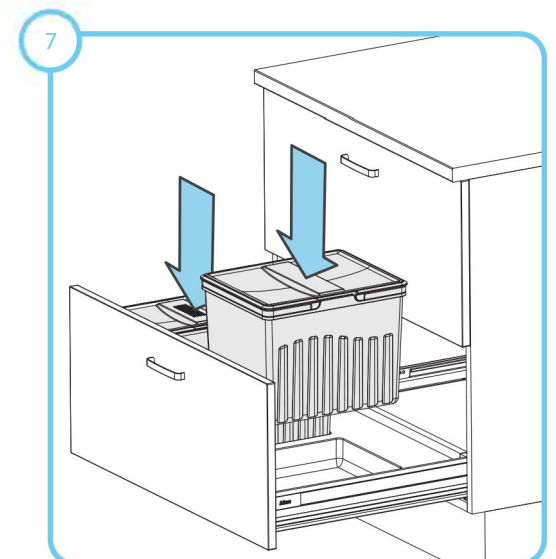
Carefully trim the tray depth according to the measurement (b). Trim from the back edge (c) as needed.



Install tray into the drawer



Open the flap on the underside of the bin lid and install the filter. Replace filter every 1-2 months as needed.



Install bins