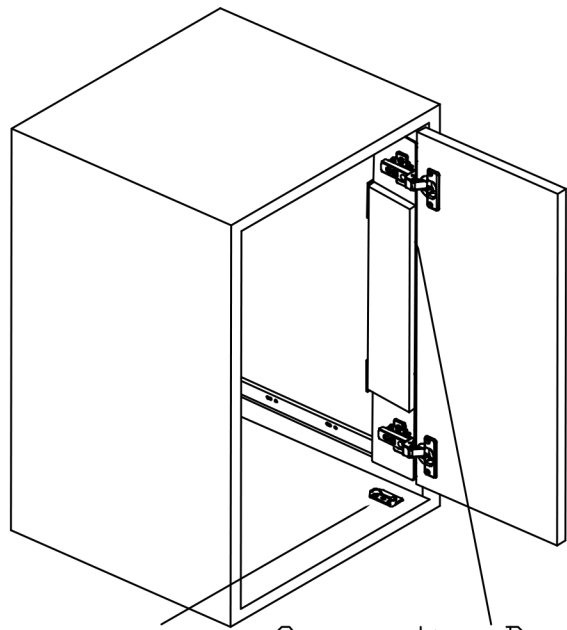




# 3517



Stopper

Supporting Board  
(Thickness  $9 \pm 1\text{mm}$ )

